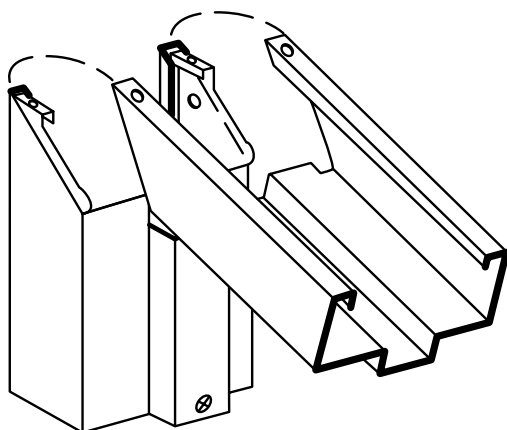
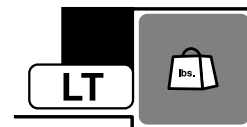


# STEELCRAFT®

## DW18-SERIES EASY-SET™ DRYWALL FRAMES



### ABOUT THE PRODUCT:

The DW18-Series Easy-Set Drywall Frames are designed for light commercial applications. They can be installed in rough openings after the wall is up and finished. These frames are installed in virtually all types of buildings in all interior drywall wall partition locations using baseboards. To accommodate the installation of the DW-Series Frames on finished drywall construction, they are supplied with the wedge-lock KD (knock-down) corner for quick installation.

### APPLICATIONS:

The DW18-Series Easy-Set Drywall Frames are typically used in the following types of wall constructions:

Wall Construction	Application	Typical Wall Anchors
Wood stud	wrap	Compression jamb and adjustable base anchor systems
Steel stud	wrap	Compression jamb and adjustable base anchor systems
Masonry	Not recommended	
Existing masonry	Not recommended	

Steel Thickness	Opening	Usage Frequency <sup>1</sup>	Applications
18 gage (1mm)	Interior	Light to Standard duty	<ul style="list-style-type: none"> <li>20 gage steel doors</li> <li>Hollow core wood door</li> </ul>
Steel Type	Opening		Applications
Non Galvanneal <sup>3</sup>	Interior		<ul style="list-style-type: none"> <li>Typical building conditions</li> </ul>
Galvannealed <sup>2</sup>	Interior		<ul style="list-style-type: none"> <li>Used in locations with high humidity</li> </ul>

### MATERIAL:

Frames are supplied from 18 gage (1mm) steel. Depending on environmental conditions the steel can be either non galvanneal or galvannealed. All frames are supplied with a factory applied baked on primer for field applied finish paints.

### FEATURES AND BENEFITS:

Steelcraft's DW18-Series Light Commercial Easy-Set Drywall Frames offer the following unique features, which enhance long-term functionality and durability.

- Quick and flexible installation** of Steelcraft's DW18-Series Drywall Frames facilitates their installation in minutes and they can be relocated without damage to the frame.
- Die-mitered corner connections** of the DW-Series corners lock together once the frame is installed. The tab/lock design prohibits the head from raising and keeps the head and jamb members in alignment and the miter tight.
- Adjustable base anchors** allow for attachment directly to the wall sill runner, and facilitates installation adjustment when the floor is not level.
- Rubber silencers** are factory installed.
- Factory applied baked on rust inhibiting primer** in accordance with ANSI A250.10.

### SPECIFICATION COMPLIANCE:

- Overall frame construction for the Steelcraft DW18-Series Easy-Set Drywall Frames meet the requirements of ANSI A250.8-1998 (commonly referred to as SDI-100).
- Hardware preparations and reinforcements are in accordance with ANSI A250.6-1997. Locations are in accordance with ANSI/DHI A115.

DRYWALL FRAMES

Details are subject to change without prior notice.

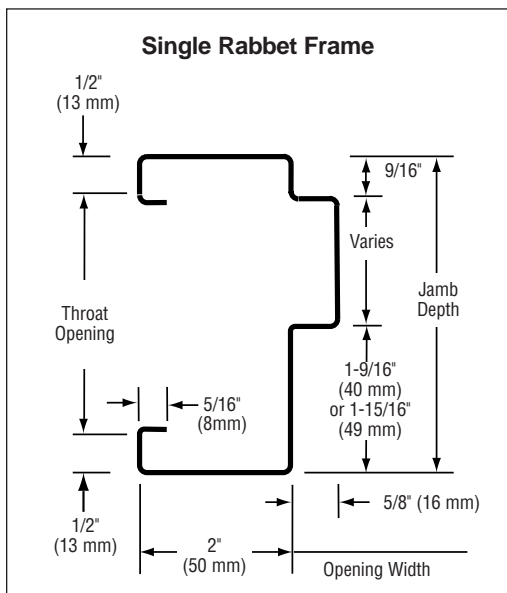
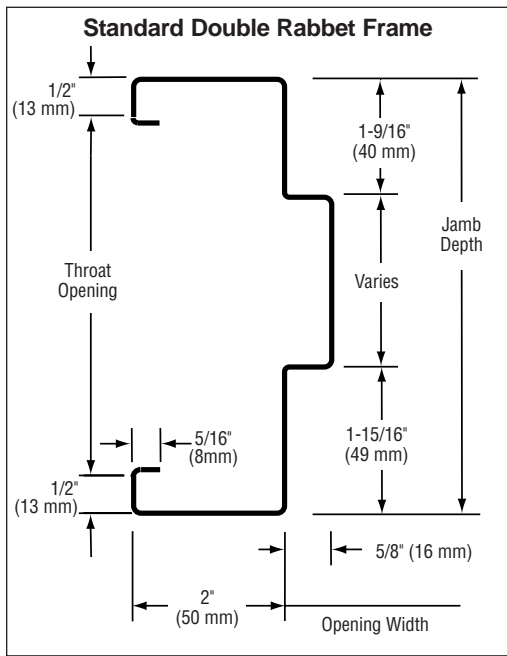
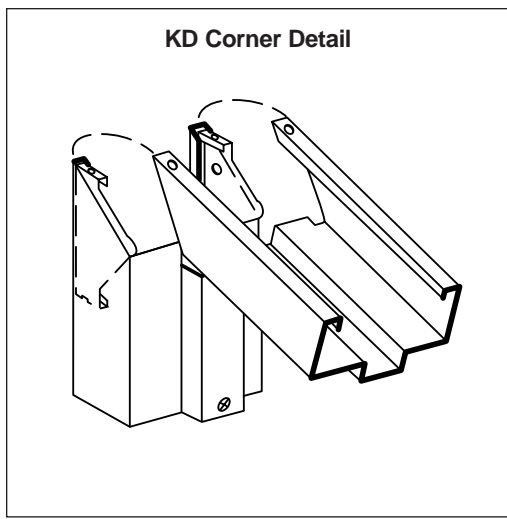
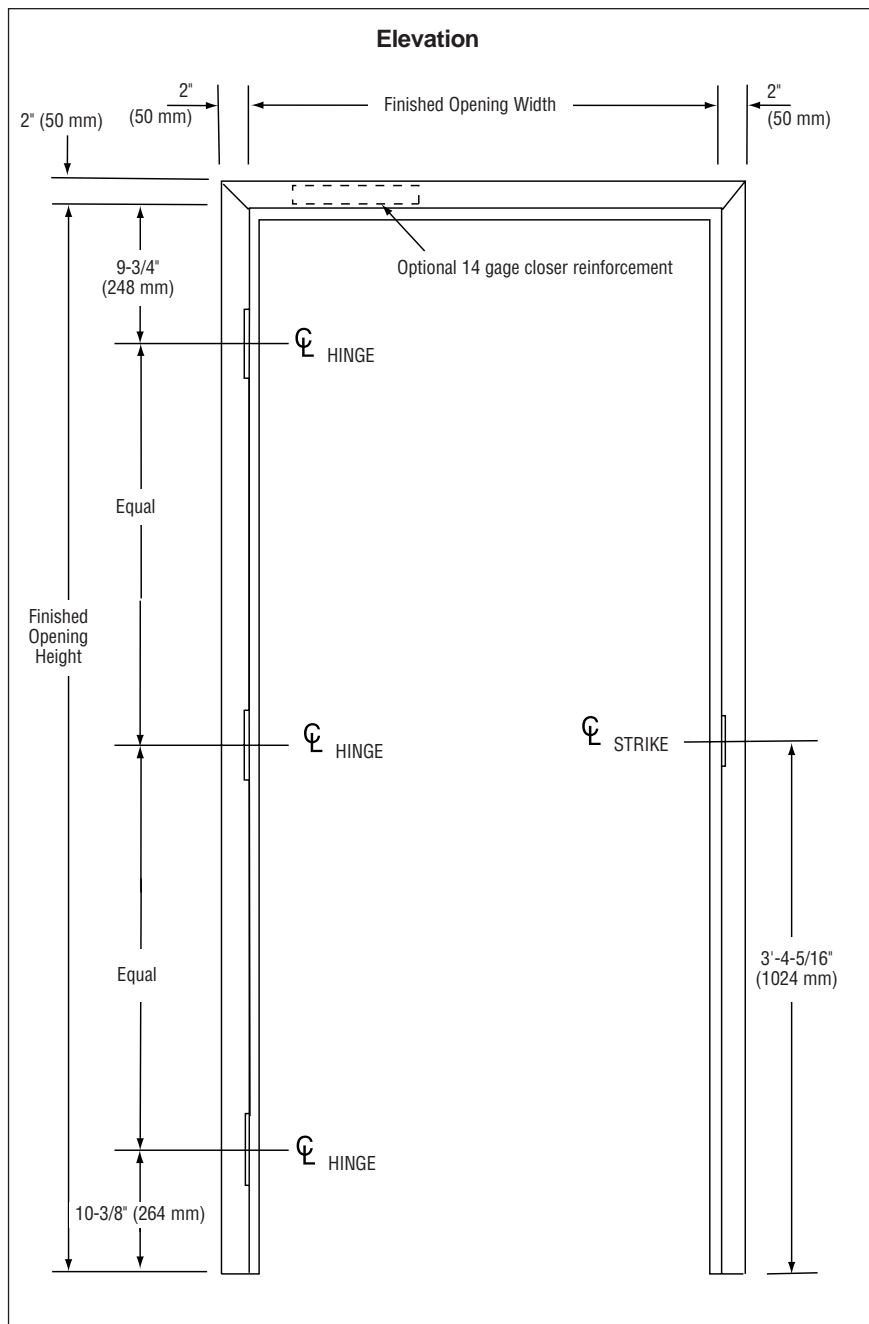
© 2000 Steelcraft Co.  
Printed in USA

**IR** Security & Safety®  
Proven Source. Proven Solutions.™

Spec Manual  
Rev. 5/2002

DW2-1

<sup>1</sup> Usage frequency is based on ANSI A250.8-1998  
<sup>2</sup> Reinforcements for galvannealed frames are also galvannealed  
<sup>3</sup> Commercial quality carbon steel

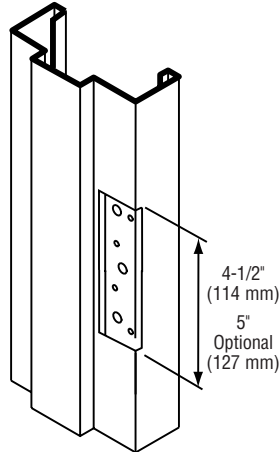


**CONSTRUCTION NOTES:**

- Door opening size maximum:**  
 Single door opening size 4'0" x 8'0" (1219mm x 2438mm)  
 Double door opening size 8'0" x 8'0" (2438mm x 2438mm)
- Jamb depths (profile) availability:**  
**Single rabbet:**  
 minimum = 3 1/4" (83mm)  
 maximum = 4 5/8" (117mm)  
**Double rabbet:**  
 minimum = 4 3/4" (121mm)  
 maximum = 8 1/4" (209mm)
- Standard profile dimensions (variations not available):**  
 Face = 2" (50mm)  
 Stop = 5/8" (16mm)  
 Returns = 1/2" (13mm)
- Standard die-mitered corners:**  
 Wedge lock corners with interlocking soffit tab.

**Mortise Hinge Prep**

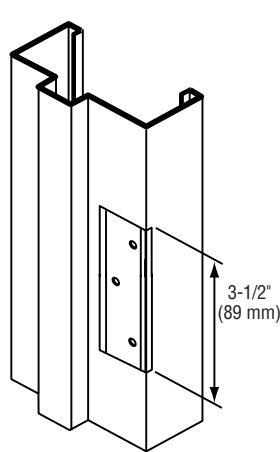
1-3/4" (45mm) doors



7 Gage Hinge Reinforcement

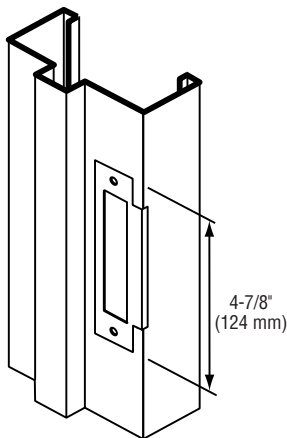
**Mortise Hinge Prep**

1-3/8" (35mm) doors

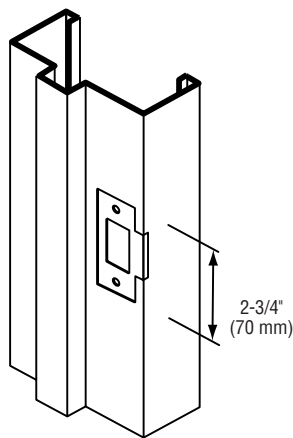


10 Gage Hinge Reinforcement

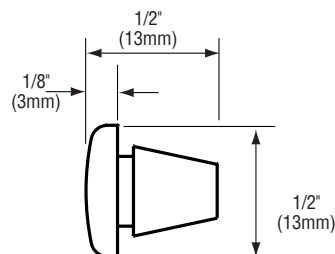
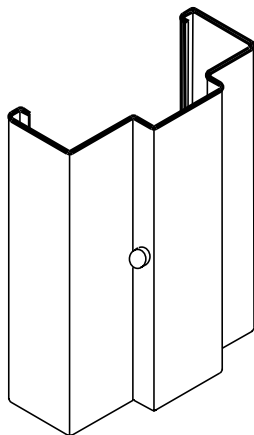
**4 7/8" Strike Prep (ASA)**



**2 3/4" Strike Prep (CYL)**



**Rubber Silencer**

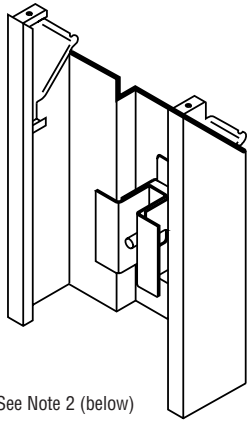


**GENERAL NOTES:**

1. **Frame profile** – variations in jamb depths available in 1/8" (3mm) increments:
  - **Single rabbet** – typically for walls less than 3 3/4" (95mm) thick (2" min.[50mm])
  - **Double rabbet** – typically for walls 3 3/4" (95mm) thick and over
2. **Corner connections**
  - **KD (knock-down)** – factory die-mitered, soffit tab included
  - **SUA (set-up and welded)** – not available in this frame series
3. **4" (102mm) heads** – not available in this frame series
4. **Standard hardware preparations:**  
Standard mortised and reinforced for:
  - **Hinge preps** – 4 1/2" (114mm) high, .134 weight hinges are standard
  - **Strikes** – 4 7/8" (124mm) conforming to ANSI A115.1 and ANSI A115.2
5. **Rubber silencers** are factory installed to cushion the closing of the door. Three (3) silencers are supplied per strike jamb and two (2) per double door head.

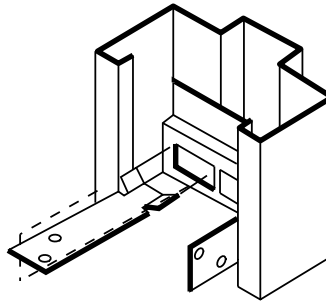
DRYWALL FRAMES

**Jamb/Compression Anchor**



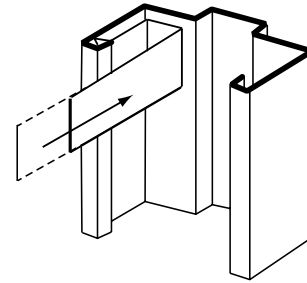
See Note 2 (below)

**Adjustable Base Anchor**



See Note 2 (below)

**Optional Security Anchor**



Located at strike height  
See Note 2 (below)

### ANCHORING AND INSTALLATION NOTES:

1. **DW18-Series Easy-Set Drywall Frames** are supplied standard with field adjustable compression anchors in each jamb and adjustable base anchors. DW-Series Frames are designed especially for use in installations using wall baseboards.
2. **Anchoring applications:**
  - **Masonry wall** – Not recommended
  - **Wood and steel stud walls** – Adjustable compression anchors are factory located near the top of each jamb. These anchors can be easily adjusted with either a screw driver or power driver. Adjustable lock-in base anchors are provided for attachment directly to the wall floor (sill) runner. (Refer to installation sheet #INS-2036)
  - **Optional security anchor** – Security anchors are recommended in frames over 8'0" (2438mm) high or in frames installed in areas where security is a priority. Locate the security anchor immediately above or below the strike reinforcements, and on both faces of the jamb. Anchors may be used in both the strike and hinge jamb. Also recommend to be used in the head of the frame for pairs.
3. **Grouting of the DW-Series Frames is not recommended.**
4. **Installation Caution Notice** – After the frame pieces are slid over the wall, the frame is squared by adjusting the compression anchor screws located in the soffit of the jambs. Turning the screw clockwise will tighten the frame. Check to insure the opening is plumb.
5. Installation shall conform to the published Steelcraft installation instructions, SDI 105 *Recommended Installation Instructions for Steel Frames* and ANSI/DHI A115-IG *Installation Guide for Doors and Hardware*.