

Door and Jamb Preparation for Schlage Hardware



LOCK SERIES INDEX OF TEMPLATE SHEETS

D and DE-Series Locks		Door			Template Number	
Function	Description	Door Edge Flat	Door Edge Bev.	Door Thickness	Wood or Composite	Metal
Knob Designs and Decorative Hardware – CRO, ELL, ORB, PLY, TUL and YOR Design Codes						
D10S thru D85PD	1½" (29mm) Faceplate (standard)	x	x	1⅜" - 2" (35mm-51mm)	D427	D865
	1½" (29mm) Faceplate, ½" (13mm) rabbeted, strike included	x		1⅜" - 2" (35mm-51mm)	D429	
D170	Dummy trim, surface or optional thru bolt mounted			Various	D872	D873
D12DEL/EU D80PDEL/EU	Electrified locks	x	x	1⅜" - 2" (35mm-51mm)	D427 & D871	D865 & D871
Heavy Duty Lever Designs – ATH, RHO and SPA Design Codes						
D10S thru D96PD DE70PD/ DE80PD	1½" (29mm) Faceplate (standard)	x	x	1⅜" - 2" (41mm-51mm)	D867	D868
D170	Dummy trim, thru bolt mounted			1⅜" - 2" (35mm-51mm)	AL896	AL897
D12DEL/EU D80PDEL/EU	Electrified locks	x	x	1⅜" - 2" (41mm-51mm)	D867 & D871	D868 & D871

Note:

Whenever backset options are listed at the bottom of a template sheet, backset must be indicated by the suffix letter as follows:

A = 1¾" (44mm) backset B = 2" (51mm) backset C = 2⅝" (60mm) backset D = 2¾" (70mm) backset

E = 3¾" (95mm) backset F = 5" (127mm) backset G = Other (specify)

Example: D427-D (D-Series lock template #427 with 2¾" (70mm) backset)

D and DE-Series Locks		Jamb	
Number	Description	Template Number	
		Wood	Metal
10-025	ANSI A115 standard for 1¾" (44mm) doors	J918	J919

Note:

See strike template index for optional strikes.

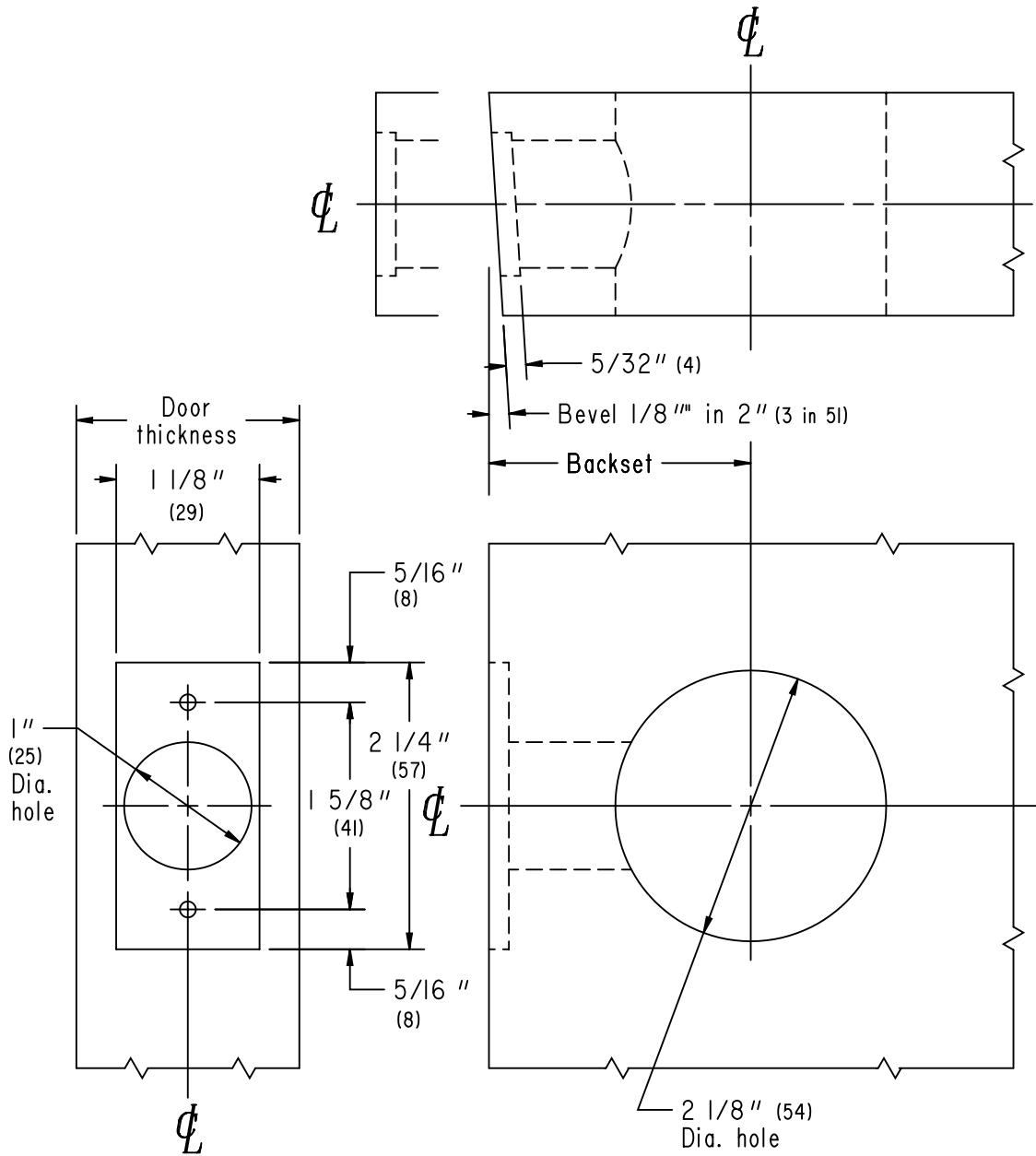
D10S
thru
D85PD

1 3/8" (35) to 2" (51) wood or composite doors
1 1/8" (29) faceplate, flat or beveled

Note: Dimensions shown in parenthesis () are in millimeters.

SCHLAGE®

D-Series



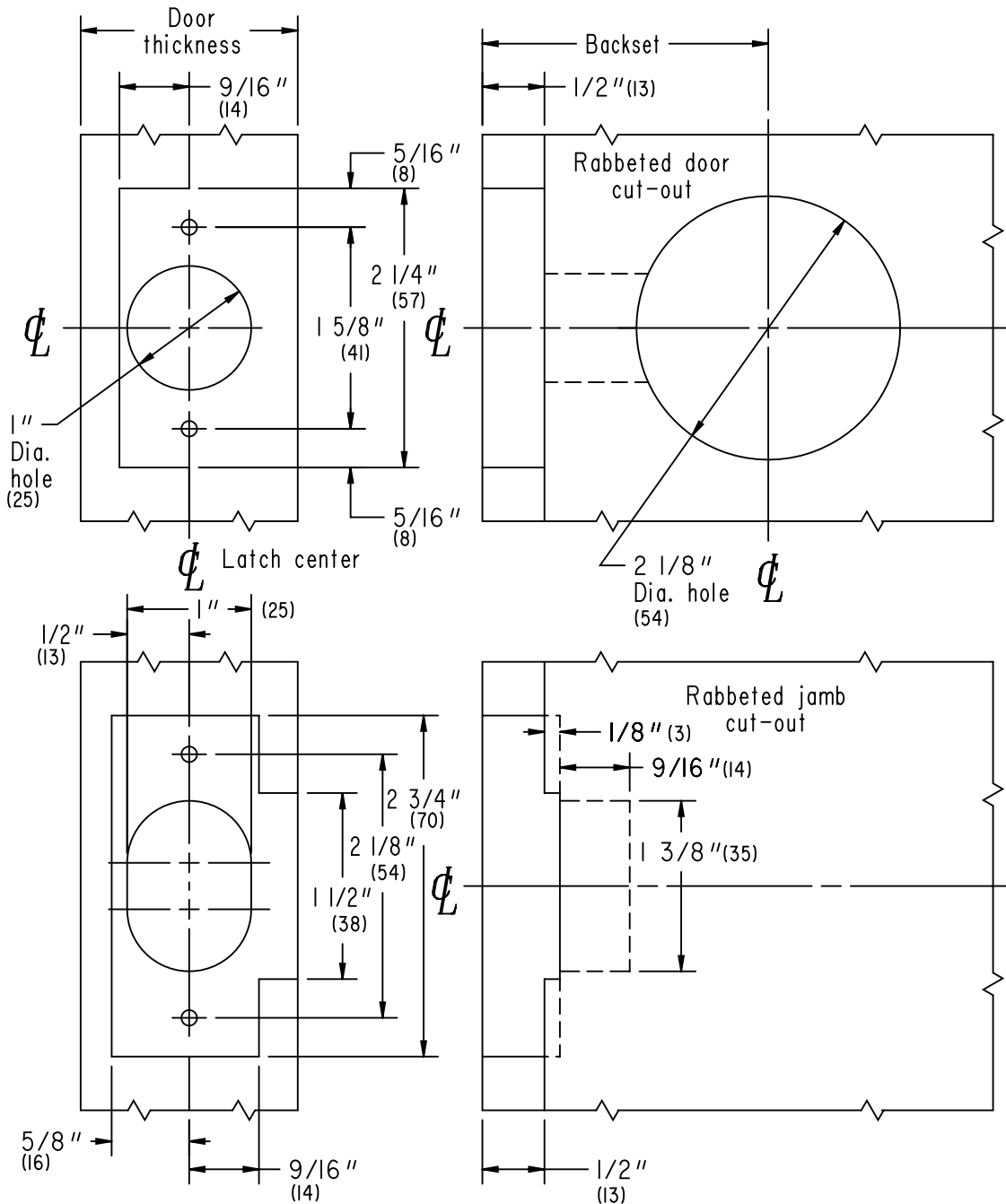
<p>BACKSETS</p> <p>D427-C, 2 3/8" (60) D427-F, 5" (127)</p> <p>D427-D, 2 3/4" (70) D427-G, other</p> <p>D427-E, 3 3/4" (95)</p>	<p>JOB _____</p> <p>DATE _____ DOOR THICKNESS _____</p> <p>REMARKS _____</p>	<p>TEMPLATE NO.</p> <p>D427</p>
--	--	--

D10S
thru
D85PD

1 3/8" (35) to 2" (51) wood or composite doors
1 1/8" (29) flat, 1/2" (13) rabbeted faceplate and strike
Note: Dimensions shown in parenthesis () are in millimeters.

SCHLAGE®

D-Series



<p>TEMPLATE NO. D429</p>	<p>JOB _____ DATE _____ DOOR THICKNESS _____ REMARKS _____</p>	<p>BACKSETS D429-C, 2 3/8" (60) D429-F, 5" (127) D429-D, 2 3/4" (70) D429-G, other D429-E, 3 3/4" (95)</p>
-------------------------------------	--	--

**D10S
thru
D85PD**

**1 3/8" (35) to 2" (51) metal doors
1 1/8" (29) faceplate, flat or beveled**

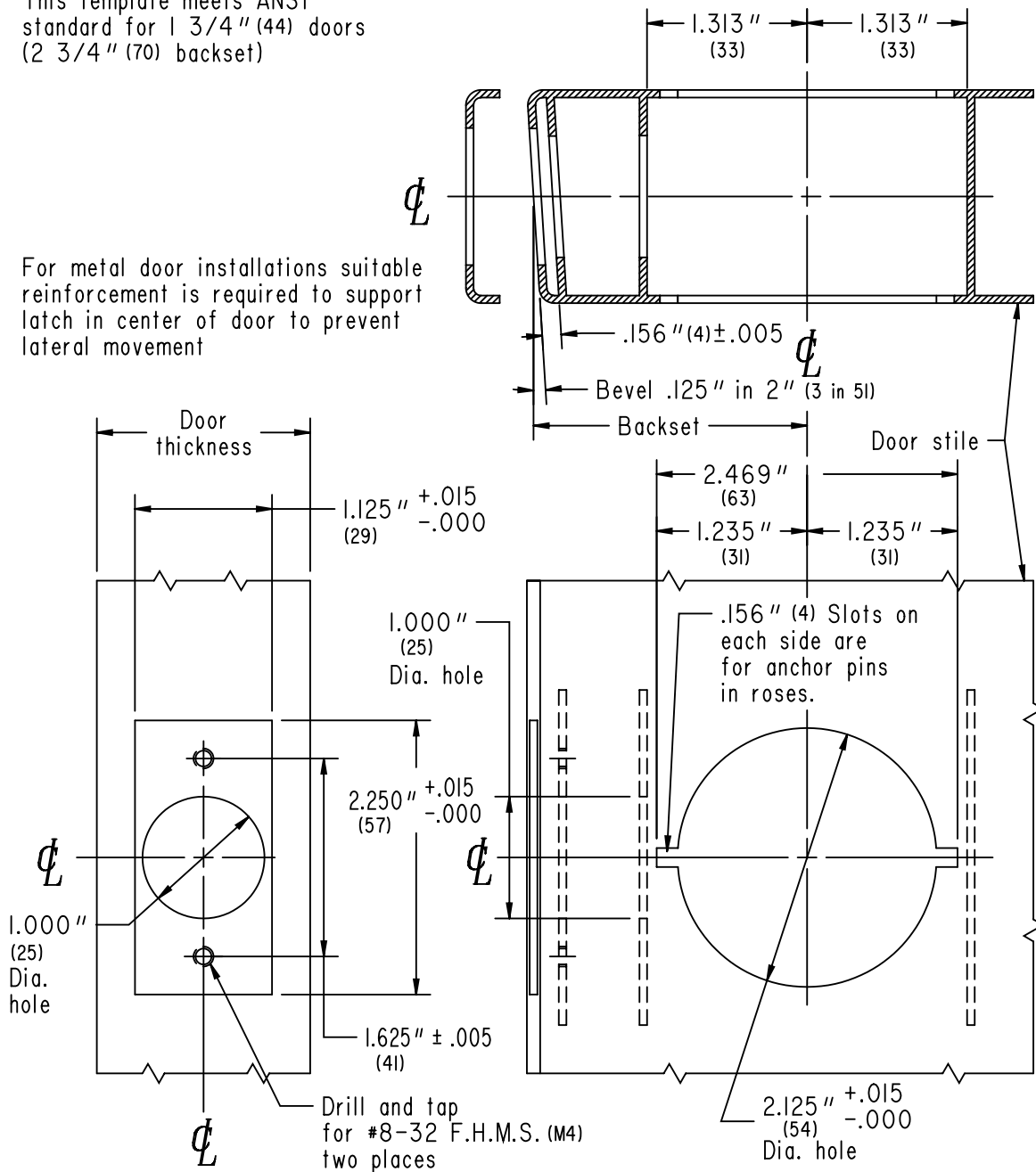
SCHLAGE®

D-Series

Note: Dimensions shown in parenthesis () are in millimeters.

This template meets ANSI standard for 1 3/4" (44) doors (2 3/4" (70) backset)

For metal door installations suitable reinforcement is required to support latch in center of door to prevent lateral movement



<p>BACKSETS</p> <p>D865-C, 2 3/8" (60) D865-F, 5" (127)</p> <p>D865-D, 2 3/4" (70) D865-G, other</p> <p>D865-E, 3 3/4" (95)</p>	<p>JOB _____</p> <p>DATE _____ DOOR THICKNESS _____</p> <p>REMARKS _____</p>	<p>TEMPLATE NO.</p> <p>D865</p>
--	--	--

D10S
thru
D96PD
DE70
DE80

1 5/8" [41] to 2" [51] metal doors only
1 1/8" [29] faceplate, flat or beveled
Heavy duty lever designs only

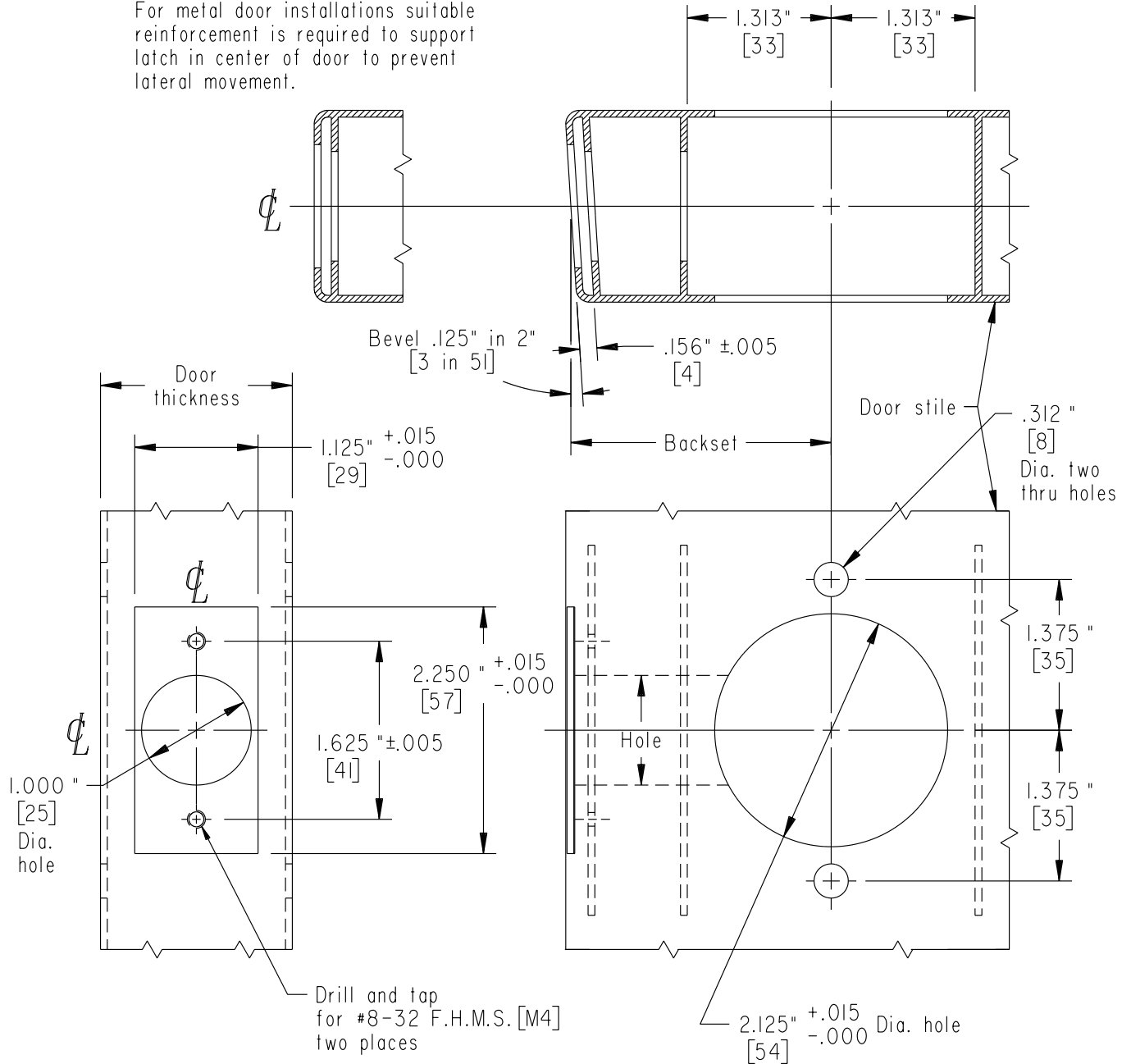
Note: Dimensions shown in brackets [] are in millimeters.

SCHLAGE®

D-Series

Note: Do not use this template for lock function D170.

For metal door installations suitable reinforcement is required to support latch in center of door to prevent lateral movement.



BACKSETS

D868-C, 2 3/8" [60] D868-F, 5" [127]
 D868-D, 2 3/4" [70] D868-G, other
 D868-E, 3 3/4" [95]

JOB _____

DATE _____ DOOR THICKNESS _____

REMARKS _____

TEMPLATE NO.

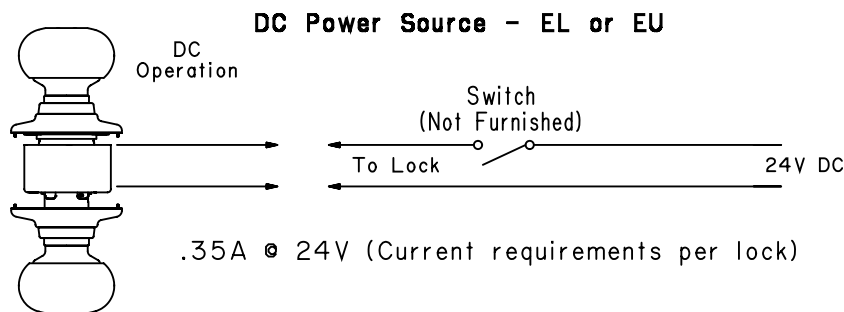
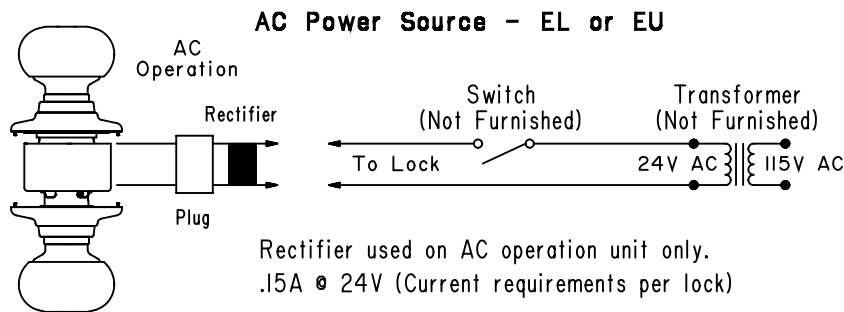
D868

Note: Dimensions shown in parenthesis () are in millimeters.

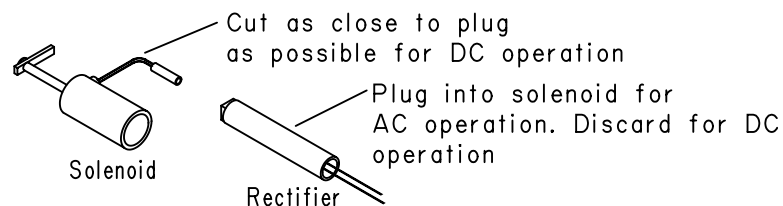
Electrified Locks - Typical Installation

- Door and jamb preparation is same as D-Series locks except provision must be made to route low voltage wire to lock. **On wood or composite doors, a clearance hole is required to accommodate the rectifier, 7/16" (11) dia. by 2 7/8" (73) long.**
- Attach wires to the 6" (152) pigtail of rectifier (For AC operation) or solenoid (For DC operation).
- Power transfer unit and low voltage wiring are not furnished.
- All power requirements shown are for single lock operation. For multi-lock installation, powered by a single supply, current values must be increased accordingly.
- Select proper wire size to minimize voltage drop. Voltage requirements indicated must be maintained at lock for dependable operation.
- All installations should be in accordance with local electrical codes.

Typical Wiring Diagram for Electrified D-Series Locks

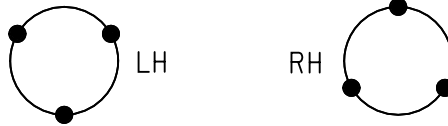


AC and DC Application

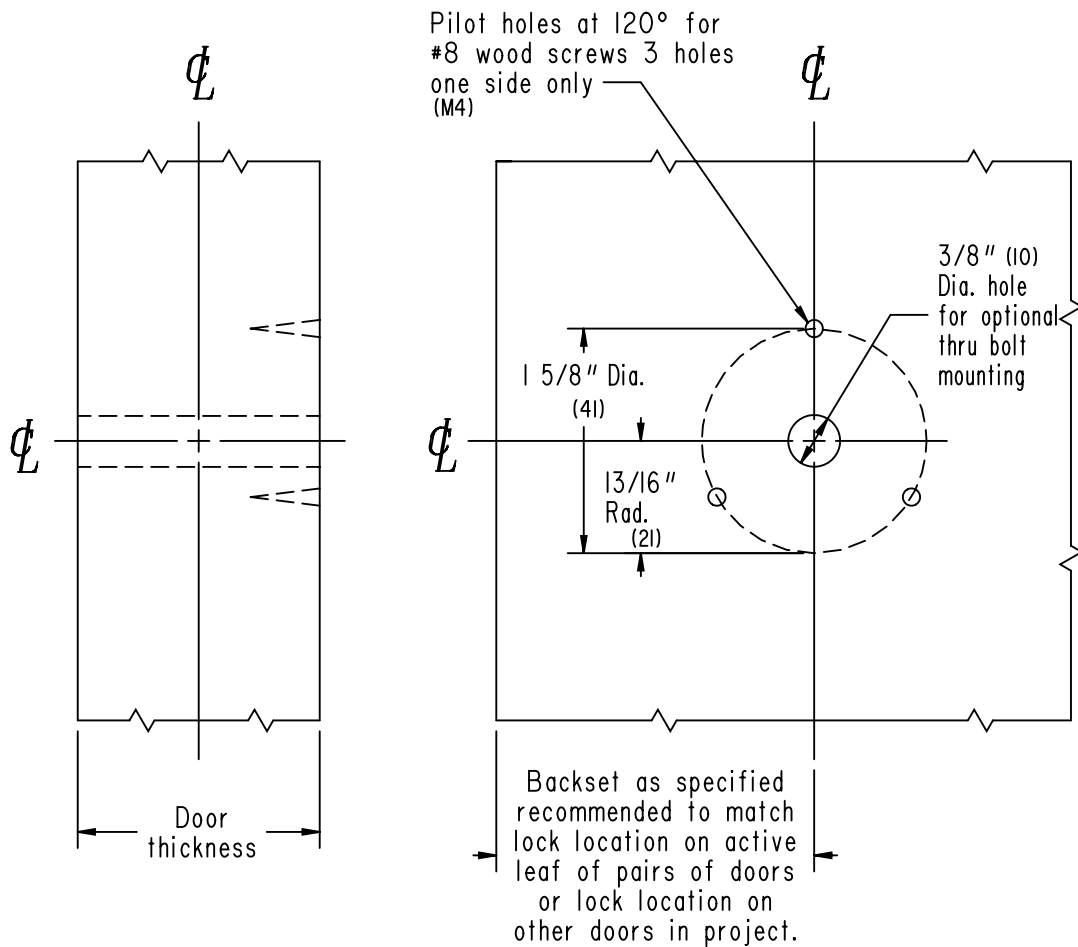


TEMPLATE NO. D871	JOB _____ DATE _____ DOOR THICKNESS _____ REMARKS _____	BACKSETS
---------------------------------	---	----------

Note: Do not use this template for heavy duty lever designs (Athens, Rhodes, Sparta)



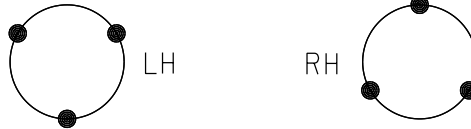
This door preparation is oriented for right hand and right hand reverse doors. For left hand and left hand reverse doors mounting screw locations must be rotated 180°



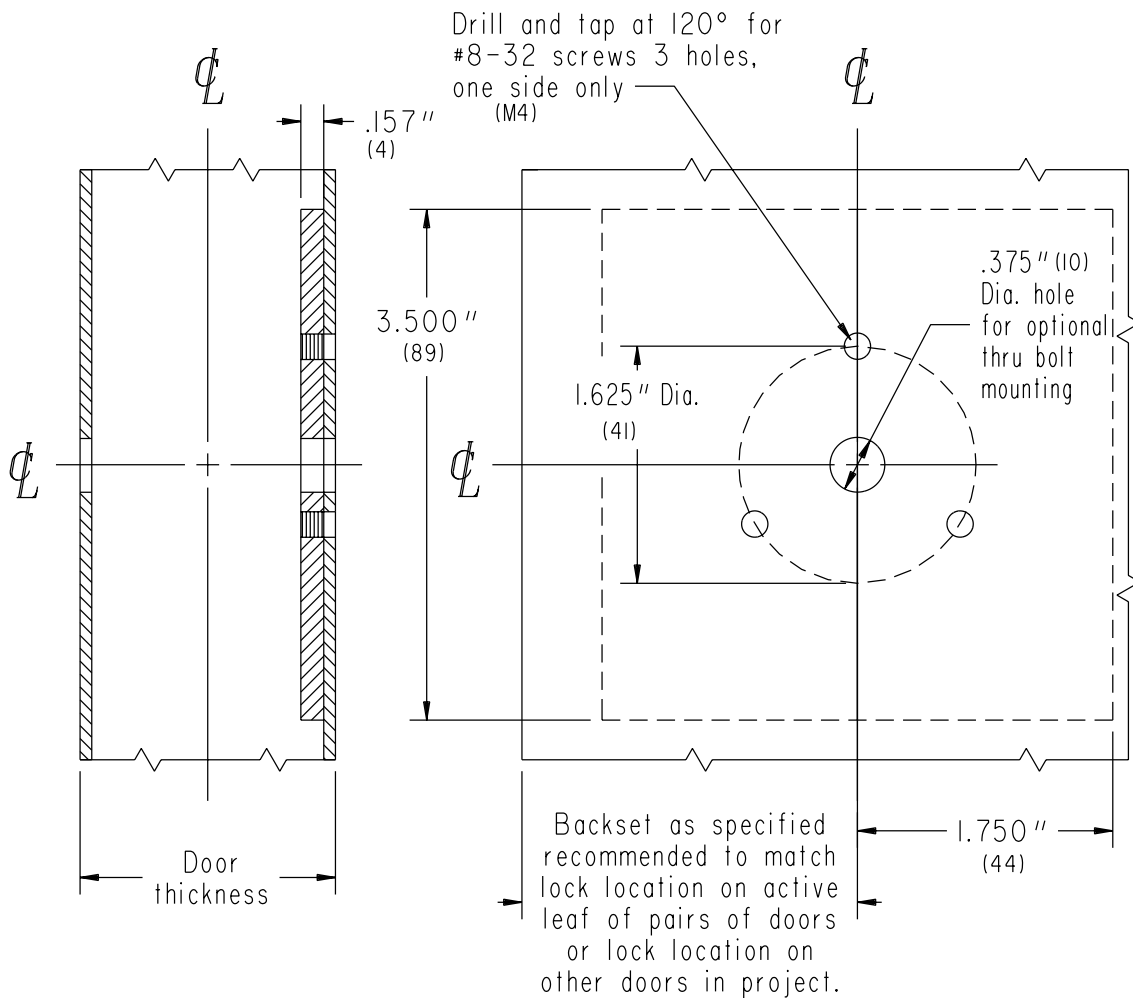
<p>BACKSETS Any backset</p>	<p>JOB _____</p> <p>DATE _____ DOOR THICKNESS _____</p> <p>REMARKS _____</p>	<p>TEMPLATE NO. D872</p>
---------------------------------	--	-------------------------------------

Note: Dimensions shown in parenthesis () are in millimeters.

Note: Do not use this template for heavy duty lever designs (Athens, Rhodes, Sparta)



This door preparation is oriented for right hand and right hand reverse doors. For left hand and left hand reverse doors mounting screw locations must be rotated 180°



TEMPLATE NO.	JOB _____	BACKSETS
D873	DATE _____ DOOR THICKNESS _____	Any backset
REMARKS _____		