

# Door and Jamb Preparation for Schlage Hardware



## LOCK SERIES INDEX OF TEMPLATE SHEETS

AL-Series Locks		Door			Template Number	
Function	Description	Door Edge Flat	Door Edge Bev.	Door Thickness	Wood or Composite	Metal
AL10S thru AL85PD	1" (25mm) Faceplate (standard with 2 <sup>3</sup> / <sub>8</sub> " (60mm) backset)	x	x	1 <sup>3</sup> / <sub>8</sub> " - 1 <sup>7</sup> / <sub>8</sub> " (35mm-48mm)	AL890	AL891
	1" (25mm) Faceplate, 1/4" (6mm) radius round corner	x	x	1 <sup>3</sup> / <sub>8</sub> " - 1 <sup>7</sup> / <sub>8</sub> " (35mm-48mm)	AL892	
	1" (25mm) Faceplate, circular drive-in	x		1 <sup>3</sup> / <sub>8</sub> " - 1 <sup>7</sup> / <sub>8</sub> " (35mm-48mm)	AL893	
	1" (25mm) Faceplate, 1/2" (13mm) rabbeted, strike included	x		1 <sup>3</sup> / <sub>8</sub> " - 1 <sup>7</sup> / <sub>8</sub> " (35mm-48mm)	AL895	
	1 <sup>1</sup> / <sub>8</sub> " (29mm) Faceplate, (std. w/ 2 <sup>3</sup> / <sub>4</sub> " (70mm) backsets)	x	x	1 <sup>3</sup> / <sub>8</sub> " - 1 <sup>7</sup> / <sub>8</sub> " (35mm-48mm)	AL888	AL889
	1 <sup>1</sup> / <sub>8</sub> " (29mm) Faceplate, 1/2" (13mm) rabbeted, strike included	x		1 <sup>3</sup> / <sub>8</sub> " - 1 <sup>7</sup> / <sub>8</sub> " (35mm-48mm)	AL894	
AL170	Dummy trim, thru bolt mounted			1 <sup>3</sup> / <sub>8</sub> " - 1 <sup>7</sup> / <sub>8</sub> " (35mm-48mm)	AL896	AL897

**Note:**

Whenever backset options are listed at the bottom of a template sheet, backset must be indicated by the suffix letter as follows:

A = 1<sup>3</sup>/<sub>4</sub>" (44mm) backset    B = 2" (51mm) backset    C = 2<sup>3</sup>/<sub>8</sub>" (60mm) backset    D = 2<sup>3</sup>/<sub>4</sub>" (70mm) backset

E = 3<sup>3</sup>/<sub>4</sub>" (95mm) backset    F = 5" (127mm) backset    G = Other (specify)

Example: AL888-D (AL-Series lock template #888 with 2<sup>3</sup>/<sub>4</sub>" (70mm) backset)

AL-Series Standard Strike		Jamb	
Number	Description	Template Number	
		Wood	Metal
10-025	ANSI A115 standard for 1 <sup>3</sup> / <sub>4</sub> " (44mm) doors	J918	J919

**Note:**

See strike template index for optional strikes.

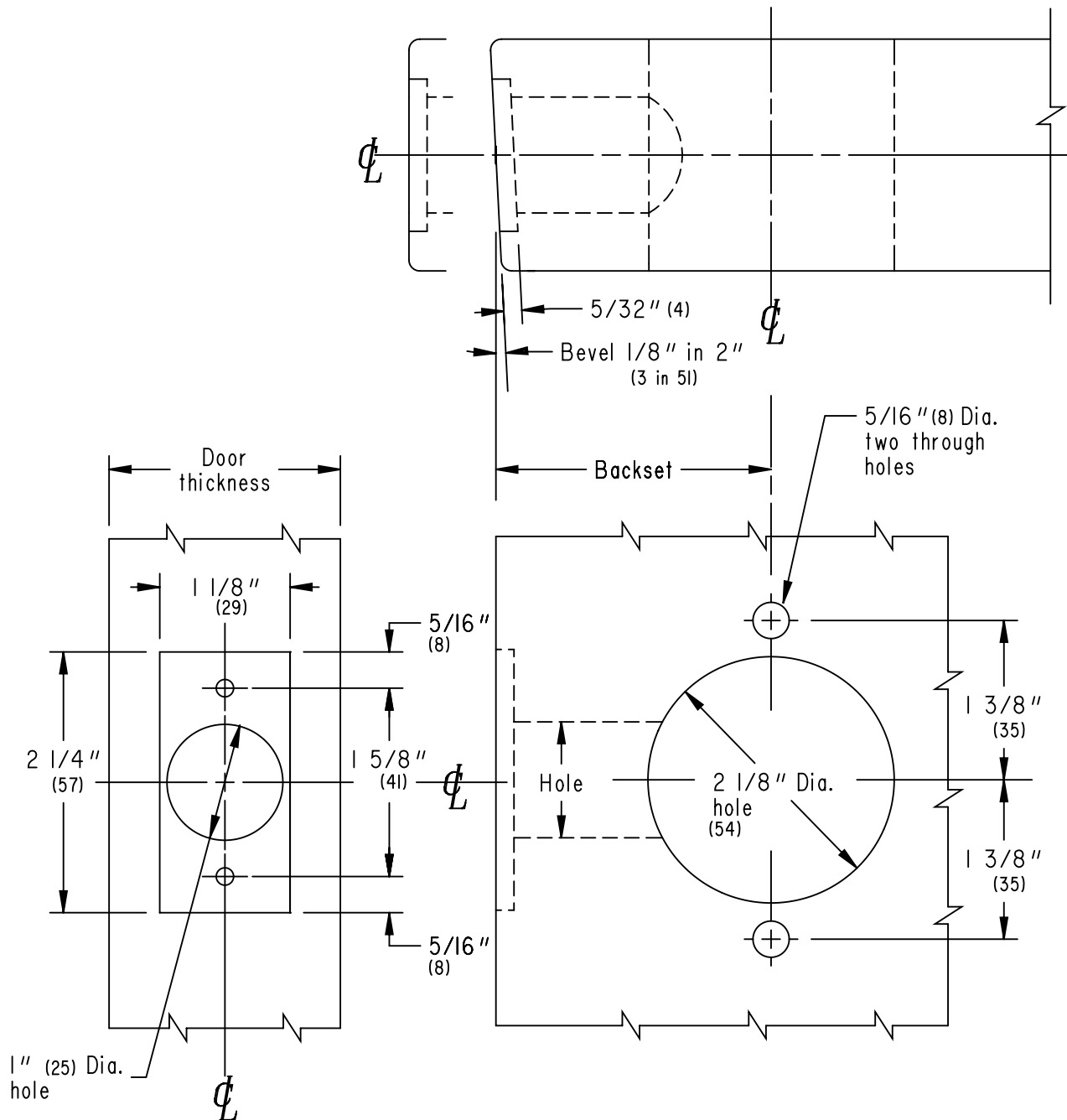
**AL10S**  
thru  
**AL85PD**

**1 3/8" (35) to 1 7/8" (48) wood doors only**  
1 7/8" (29) faceplate, flat or beveled

**Note:** Dimensions shown in parenthesis ( ) are in millimeters.

**SCHLAGE®**

**AL-Series**



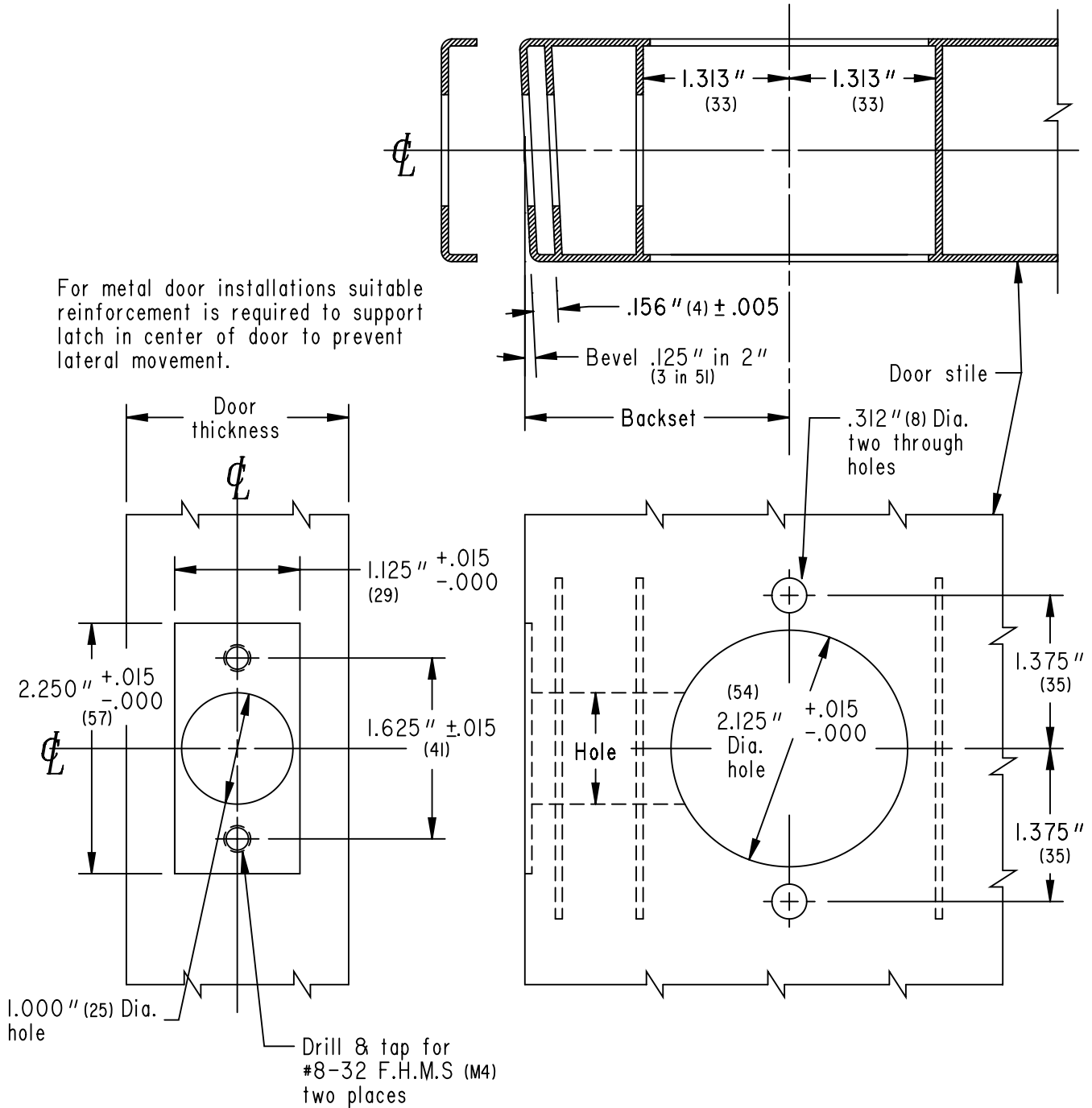
<p><b>BACKSETS</b></p> <p>AL888-C, 2 3/8" (60)    AL888-F, 5" (127)</p> <p>AL888-D, 2 3/4" (70)    AL888-G, other</p> <p>AL888-E, 3 3/4" (95)</p>	<p>JOB _____</p> <p>DATE _____ DOOR THICKNESS _____</p> <p>REMARKS _____</p>	<p>TEMPLATE NO.</p> <p><b>AL888</b></p>
---	--	---

**AL10S**  
thru  
**AL85PD**

**1<sup>3</sup>/<sub>8</sub>" (35) to 1<sup>7</sup>/<sub>8</sub>" (48) metal doors only**  
1<sup>1</sup>/<sub>8</sub>" (29) faceplate, flat or beveled  
**Note:** Dimensions shown in parenthesis ( ) are in millimeters.

**SCHLAGE®**

**AL-Series**



<p>TEMPLATE NO.</p> <p><b>AL889</b></p>	<p>JOB _____</p> <p>DATE _____ DOOR THICKNESS _____</p> <p>REMARKS _____</p>	<p><b>BACKSETS</b></p> <p>AL889-C, 2<sup>3</sup>/<sub>8</sub>" (60)    AL889-F, 5" (127)</p> <p>AL889-D, 2<sup>3</sup>/<sub>4</sub>" (70)    AL889-G, other</p> <p>AL889-E, 3<sup>3</sup>/<sub>4</sub>" (95)</p>
---	--	--

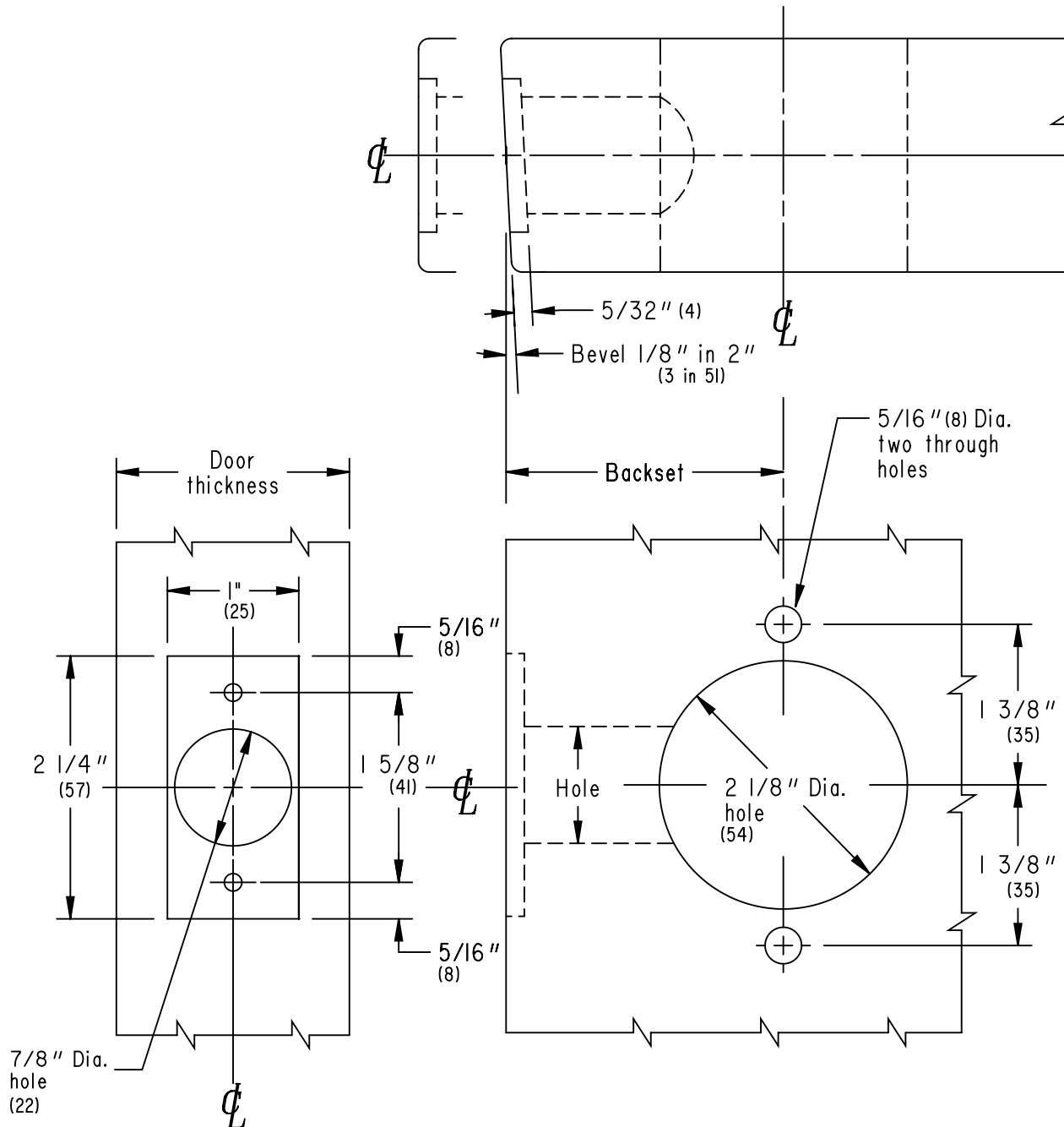
**AL10S**  
thru  
**AL85PD**

**1<sup>3</sup>/<sub>8</sub>" (35) to 1<sup>7</sup>/<sub>8</sub>" (48) wood or composite doors**  
**1" (25) faceplate, flat or beveled**

**Note:** Dimensions shown in parenthesis ( ) are in millimeters.

**SCHLAGE®**

**AL-Series**



<p><b>BACKSETS</b></p> <p>AL890-C, 2<sup>3</sup>/<sub>8</sub>" (60)    AL890-F, 5" (127)</p> <p>AL890-D, 2<sup>3</sup>/<sub>4</sub>" (70)    AL890-G, other</p> <p>AL890-E, 3<sup>3</sup>/<sub>4</sub>" (95)</p>	<p>JOB _____</p> <p>DATE _____ DOOR THICKNESS _____</p> <p>REMARKS _____</p>	<p>TEMPLATE NO.</p> <p><b>AL890</b></p>
--	--	---

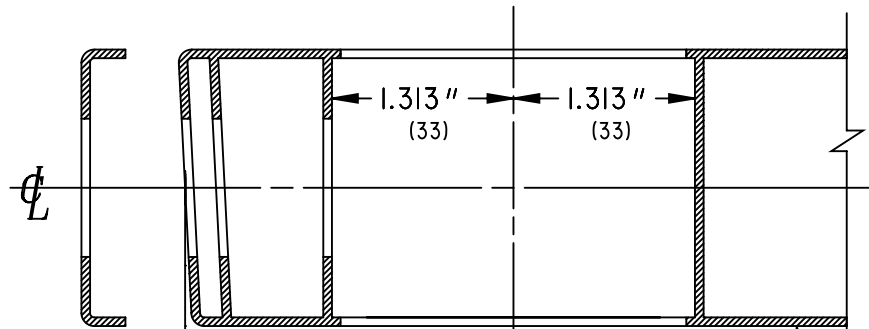
**AL10S**  
thru  
**AL85PD**

**1 3/8" (35) to 1 7/8" (48) metal doors only**  
1" (25) faceplate, flat or beveled

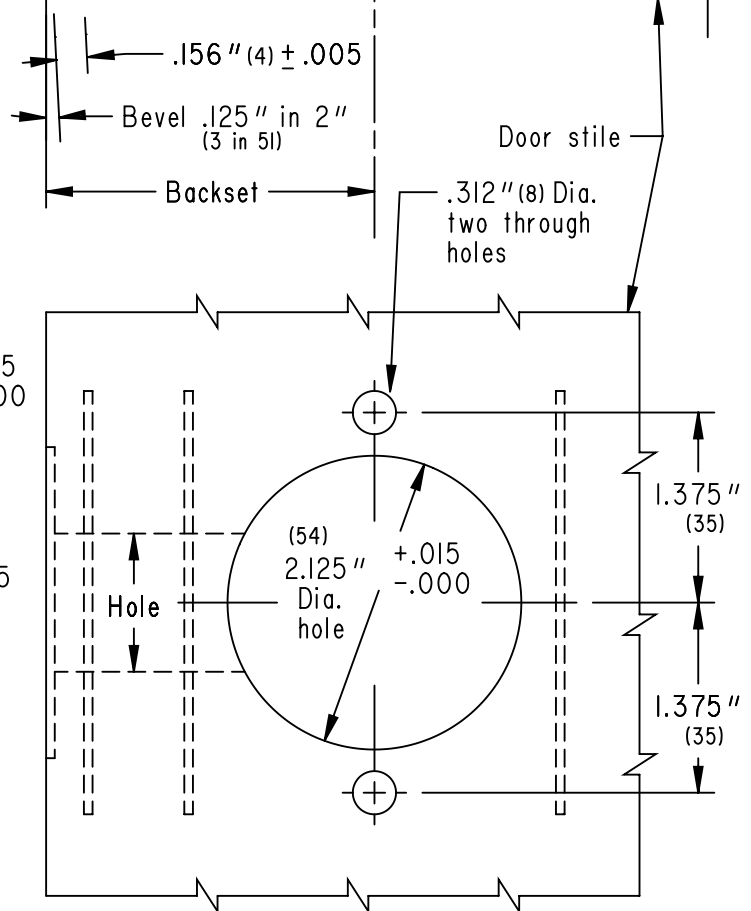
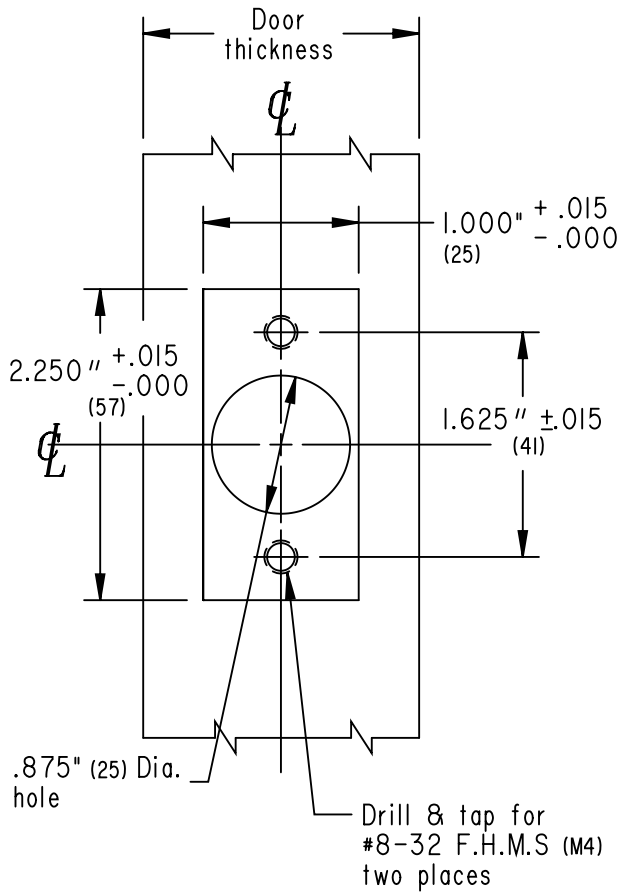
**Note:** Dimensions shown in parenthesis ( ) are in millimeters.

**SCHLAGE®**

**AL-Series**



For metal door installations suitable reinforcement is required to support latch in center of door to prevent lateral movement.



TEMPLATE NO. <b>AL891</b>	JOB _____ DATE _____ DOOR THICKNESS _____ REMARKS _____	<b>BACKSETS</b> AL891-C, 2 3/8" (60)    AL891-F, 5" (127) AL891-D, 2 3/4" (70)    AL891-G, other AL891-E, 3 3/4" (95)
------------------------------	---	--

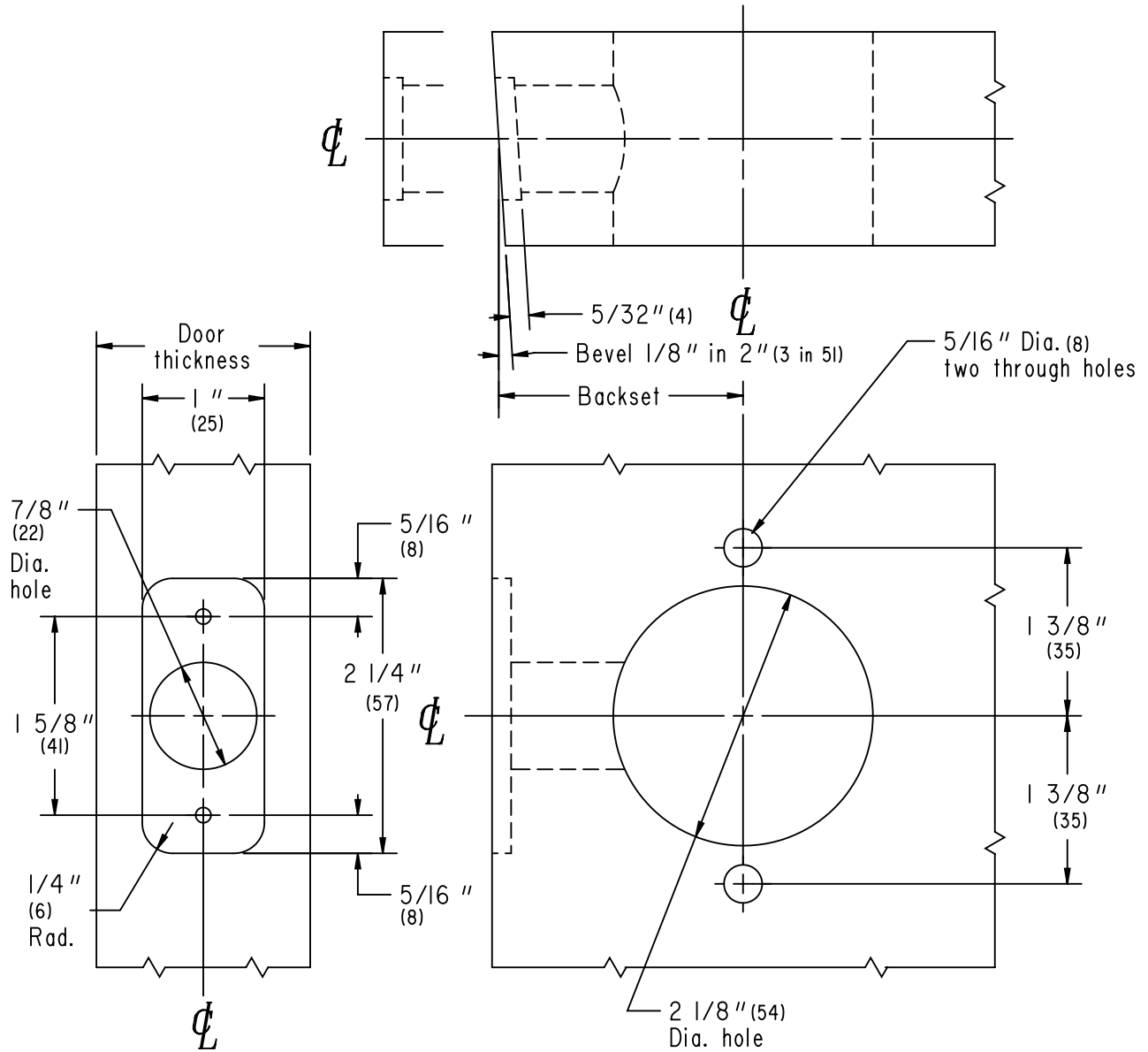
**AL10S**  
 thru  
**AL85PD**

**1<sup>3</sup>/<sub>8</sub>" (35) to 1<sup>7</sup>/<sub>8</sub>" (48) wood or composite doors**  
 1" (25) faceplate, flat or beveled, 1/4" (6) radius corner

**Note:** Dimensions shown in parenthesis ( ) are in millimeters.

**SCHLAGE**<sup>®</sup>

**AL-Series**



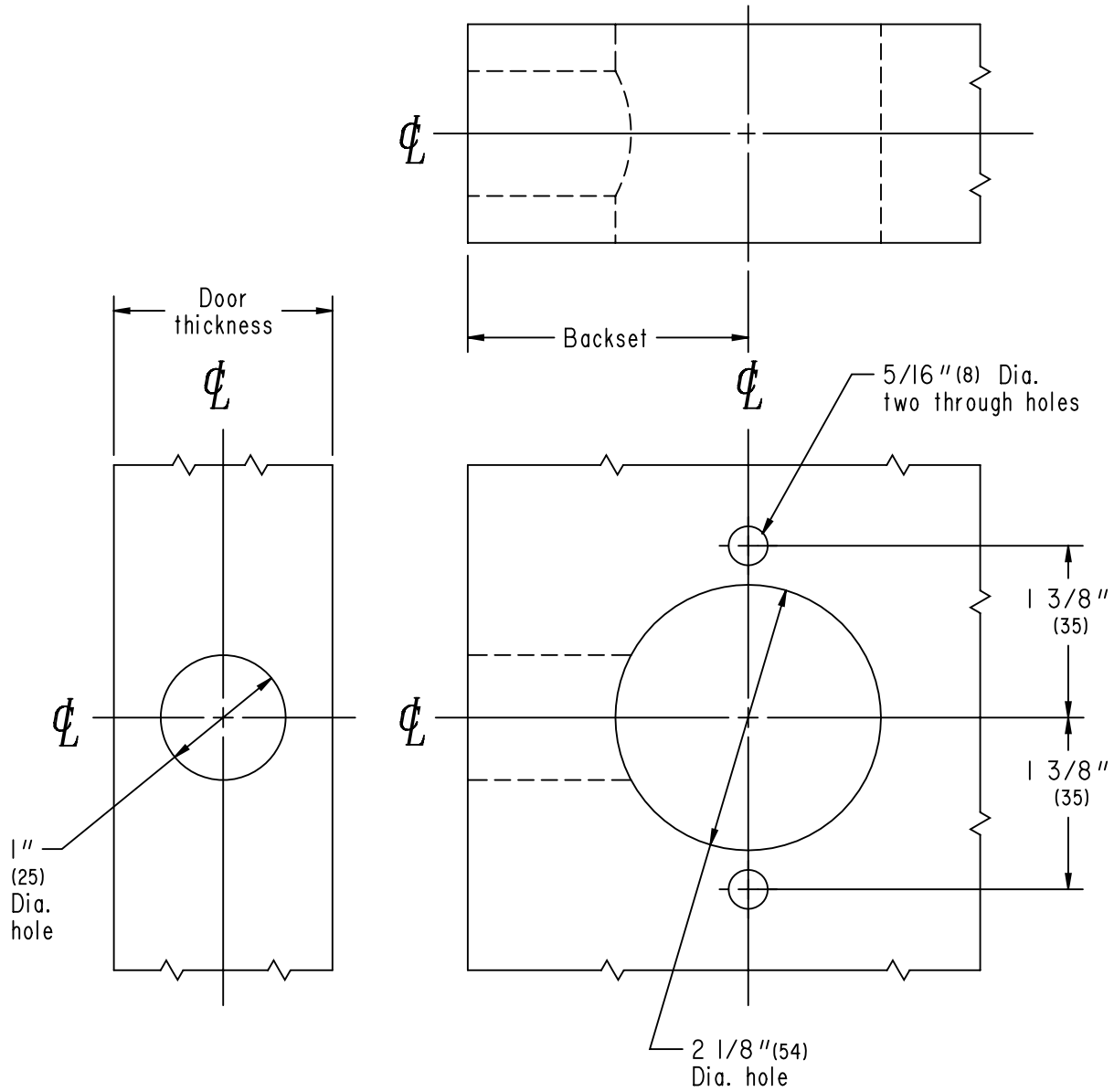
<p><b>BACKSETS</b></p> <p>AL892-C, 2<sup>3</sup>/<sub>8</sub>" (60)    AL892-F, 5" (127)</p> <p>AL892-D, 2<sup>3</sup>/<sub>4</sub>" (70)    AL892-G, other</p> <p>AL892-E, 3<sup>3</sup>/<sub>4</sub>" (95)</p>	<p>JOB _____</p> <p>DATE _____ DOOR THICKNESS _____</p> <p>REMARKS _____</p>	<p>TEMPLATE NO.</p> <p><b>AL892</b></p>
--	--	---

**AL10S**  
 thru  
**AL85PD**

**1<sup>3</sup>/<sub>8</sub>" (35) to 1<sup>7</sup>/<sub>8</sub>" (48) wood or composite doors**  
 1" (25) circular faceplate, flat, drive-in latch  
 Note: Dimensions shown in parenthesis ( ) are in millimeters.

**SCHLAGE®**

**AL-Series**



TEMPLATE NO. <b>AL893</b>	JOB _____ DATE _____ DOOR THICKNESS _____ REMARKS _____	<b>BACKSETS</b> AL893-C, 2 <sup>3</sup> / <sub>8</sub> " (60) AL893-D, 2 <sup>3</sup> / <sub>4</sub> " (70) AL893-G, other
------------------------------	---	---

**AL10S**  
thru  
**AL85PD**

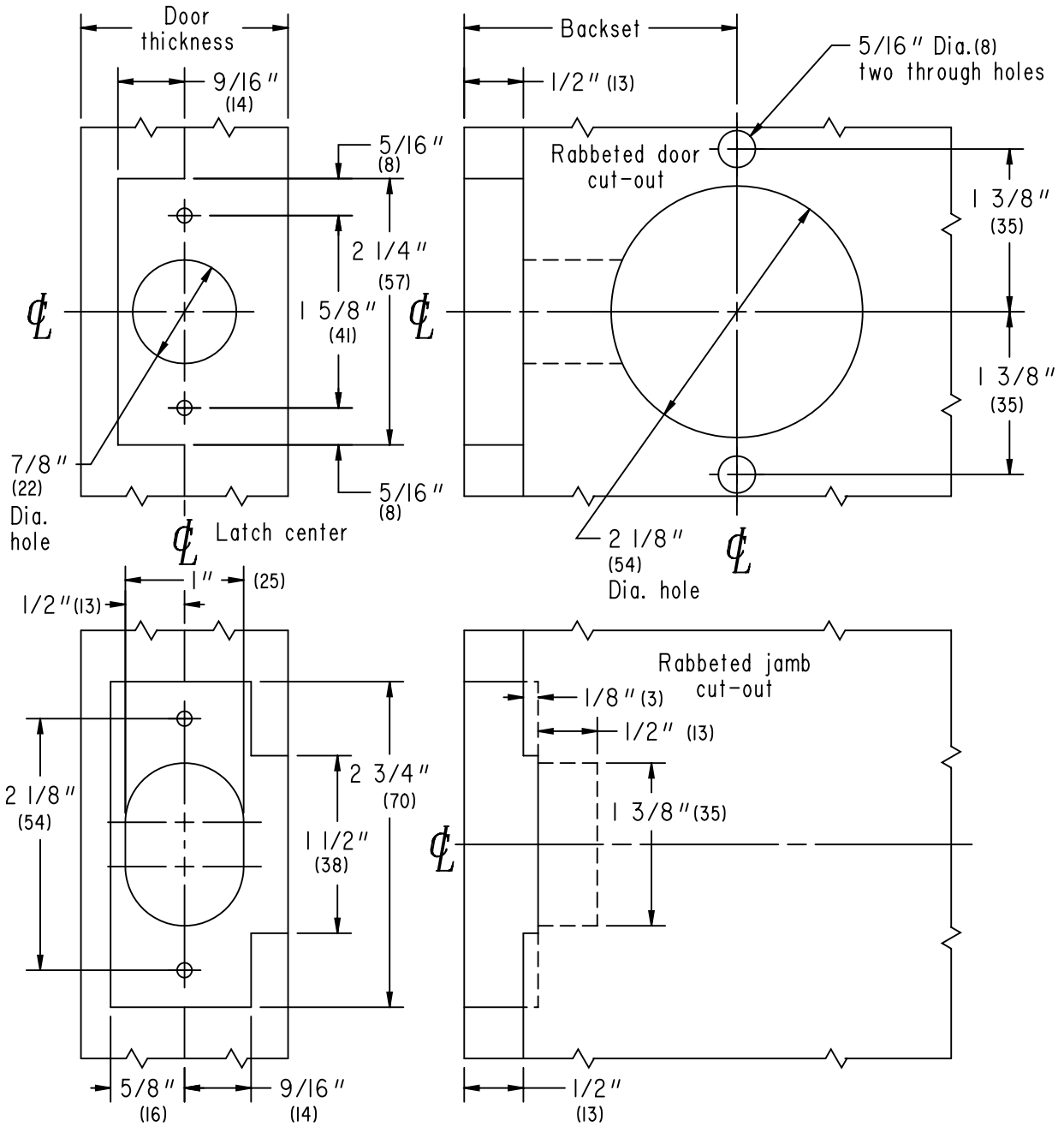
**1<sup>3</sup>/<sub>8</sub>" (35) to 1<sup>7</sup>/<sub>8</sub>" (48) wood or composite doors**

**1<sup>1</sup>/<sub>8</sub>" (29) flat, 1/2" (13) rabbeted faceplate and strike**

**Note:** Dimensions shown in parenthesis ( ) are in millimeters.

**SCHLAGE®**

**AL-Series**



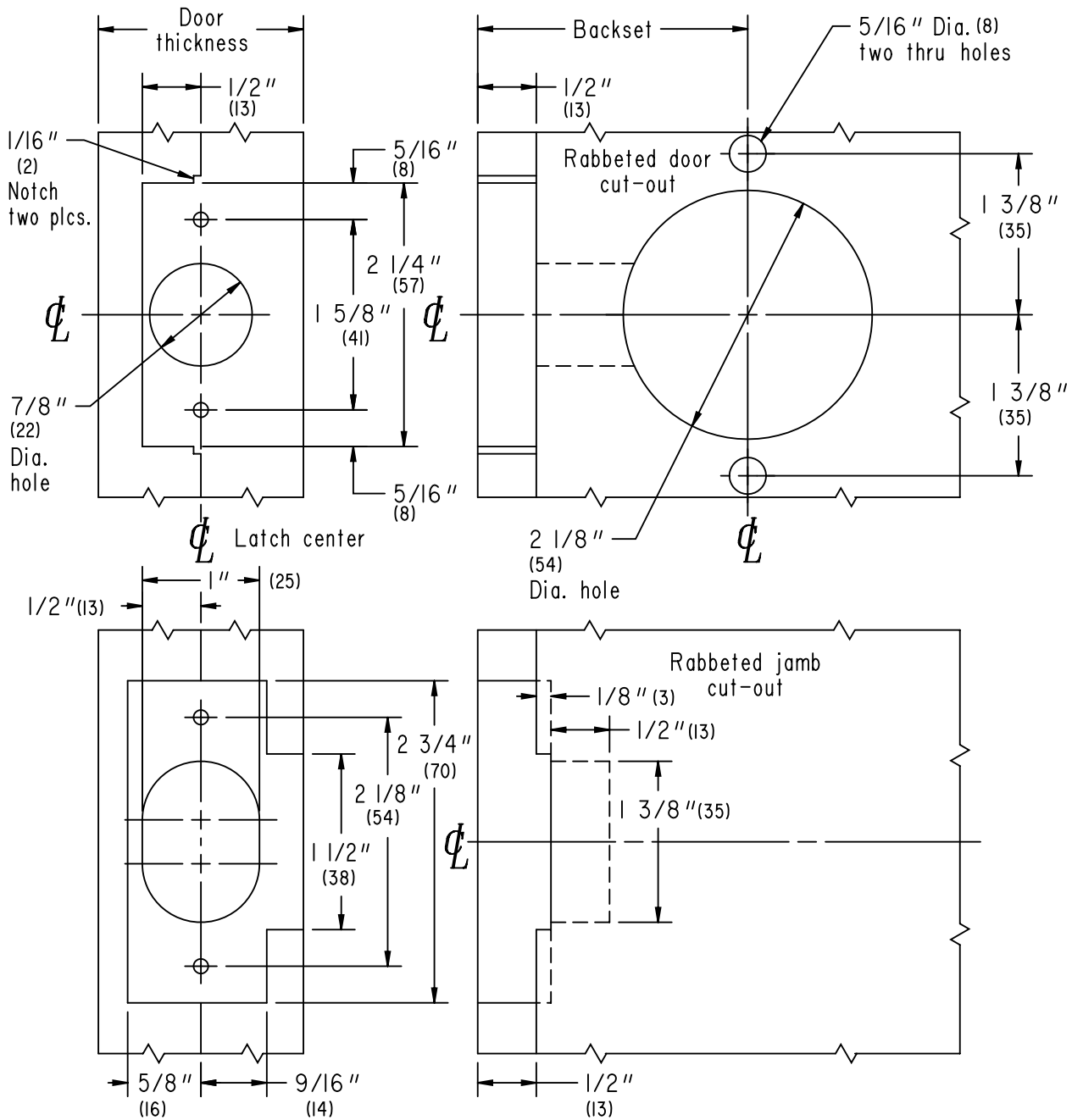
<p><b>BACKSETS</b></p> <p>AL894-C, 2<sup>3</sup>/<sub>8</sub>" (60)    AL894-F, 5" (127)</p> <p>AL894-D, 2<sup>3</sup>/<sub>4</sub>" (70)    AL894-G, other</p> <p>AL894-E, 3<sup>3</sup>/<sub>4</sub>" (95)</p>	<p>JOB _____</p> <p>DATE _____ DOOR THICKNESS _____</p> <p>REMARKS _____</p>	<p>TEMPLATE NO.</p> <p><b>AL894</b></p>
--	--	---

**AL10S**  
thru  
**AL85PD**

**1 3/8" (35) to 1 7/8" (48) wood or composite doors**  
1" (25) flat, 1/2" (13) rabbeted faceplate and strike  
**Note:** Dimensions shown in parenthesis ( ) are in millimeters.

**SCHLAGE**

**AL-Series**



TEMPLATE NO. <b>AL895</b>	JOB _____ DATE _____ DOOR THICKNESS _____ REMARKS _____	<b>BACKSETS</b> AL895-C, 2 3/8" (60)    AL895-F, 5" (127) AL895-D, 2 3/4" (70)    AL895-G, other AL895-E, 3 3/4" (95)
------------------------------	---	--

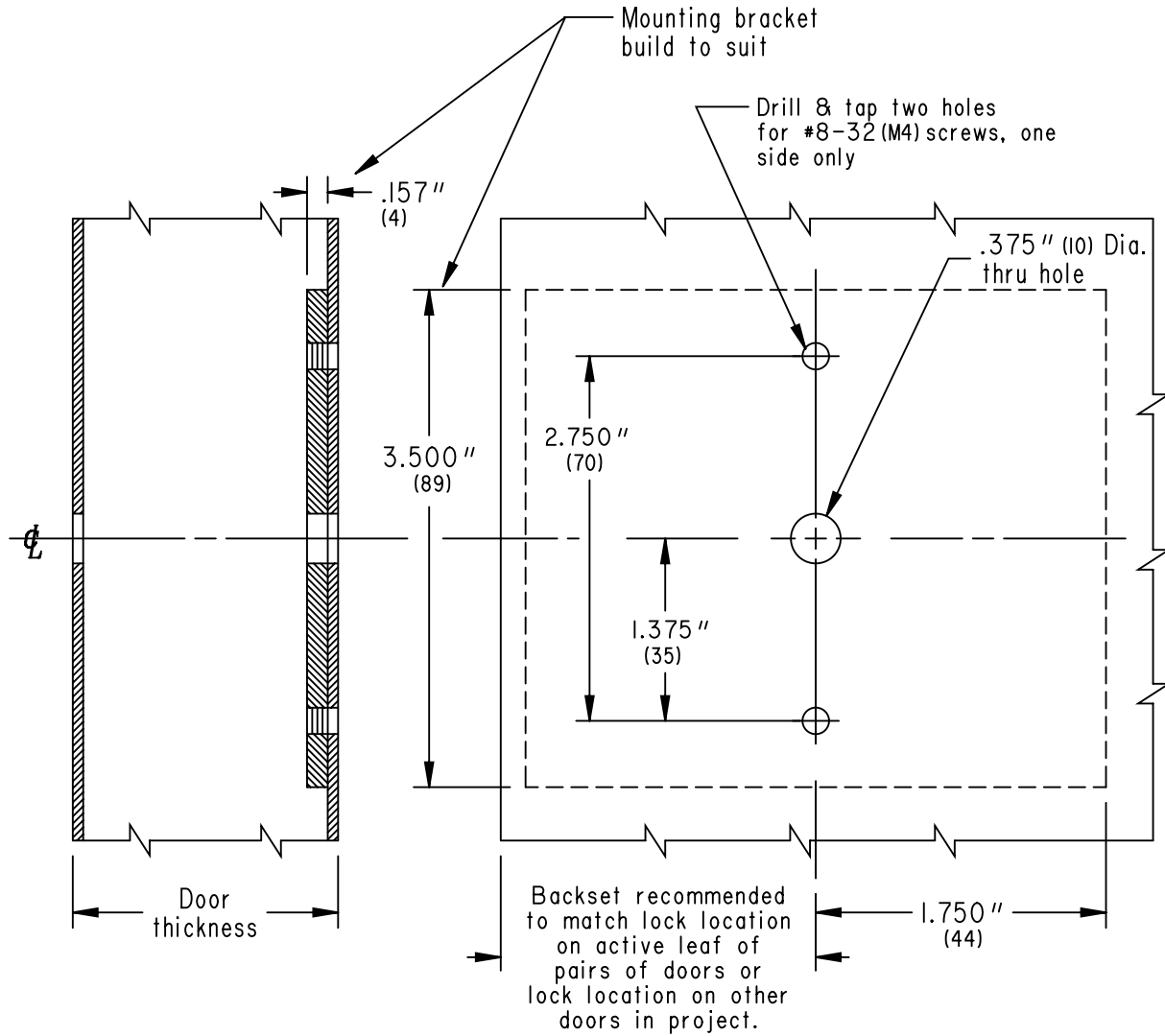


AL170  
D170

1 3/8" (35) to 2" (51) metal doors  
Thru bolt mounted  
Heavy duty lever designs only

Note: Dimensions shown in parenthesis ( ) are in millimeters.

**SCHLAGE**  
AL-Series  
D-Series  
Dummy Trim



TEMPLATE NO. <b>AL897</b>	JOB _____ DATE _____ DOOR THICKNESS _____ REMARKS _____	BACKSETS Any backset
------------------------------	---	-------------------------