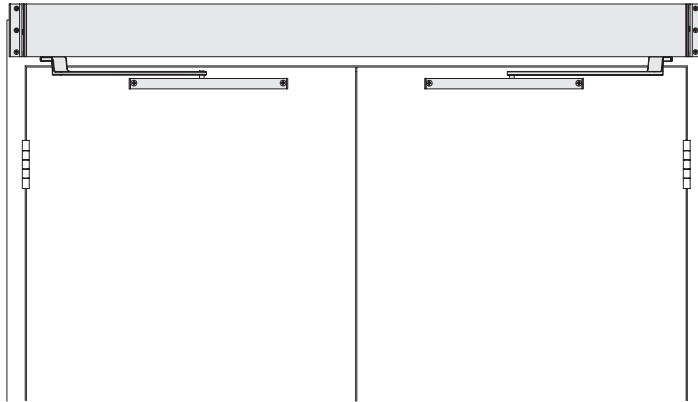


OPERATOR MOUNTS
INDEPENDENT PAIR, SURFACE MOUNT
***PULL SIDE**
PUSH SIDE
DOUBLE EGRESS



*PULL SIDE mount shown

The 9760 MIDDLE SWING® by LCN is a low-energy automatic swing door operator that is a cost-effective solution to ADA-compliance. In automatic mode, push button controls open the door automatically and permit safe, easy access for the disabled or elderly. This swing operator acts as a regular pedestrian door without automatic activation.

- ▶ Push 'N Go permits non-switch activation
- ▶ In manual mode only requires 8 1/2 lbs of opening force
- ▶ Fast and easy installation
- ▶ Tested internally to over ten million cycles
- ▶ Meets International Building Code requirements and ANSI A156.19
- ▶ UL approved for fire doors

- ▶ 9760 series operator is shipped with motor gearboxes, control boxes, arms, header, and mounting hardware.
- ▶ Independent pair, surface mounted.
- ▶ ADA compliant.
- ▶ Handed product.
- ▶ Pull, Push or Double Egress applications available.
- ▶ 72" header length is standard. Specify other length 60" to 98". Consult factory regarding this option.
- ▶ Adjustable hold-open period of 2 to 30 seconds in automatic or manual mode.

9760 Series is fully compliant with UL 325 and meets the provisions of ANSI 156.19. The 9760 Series is UL listed for fire-rated applications. The 9760 Series also meets the provisions of the Americans with Disabilities Act.

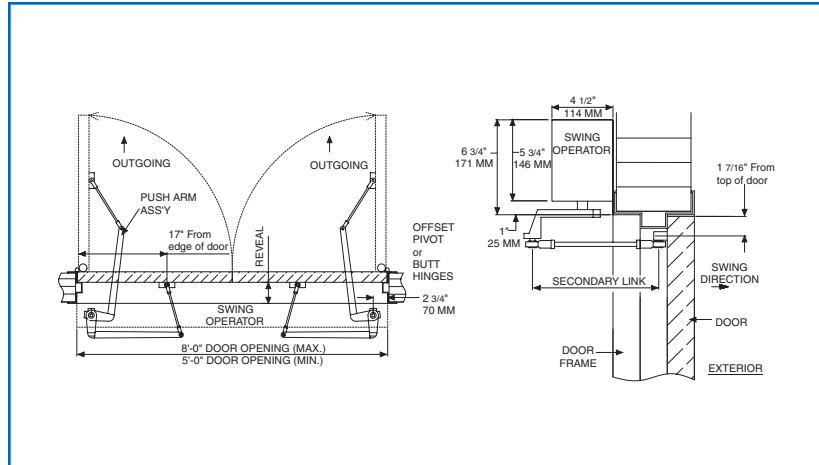
MOUNTING						HANDING			FINISH	COVER		ARM FUNCTION				
SURFACE MOUNT SINGLE DOOR	SURFACE MOUNT SIMULTANEOUS PAIR	SURFACE MOUNT INDEPENDENT PAIR	CONCEALED SINGLE DOOR	CONCEALED SIMULTANEOUS PAIR	CONCEALED INDEPENDENT PAIR	HANDED	NON-HANDED	STANDARD ANODIZED	CUSTOM ANODIZED	CUSTOM PAINT	METAL	STANDARD (SINGLE)	REGULAR (DOUBLE)	DOUBLE EGRESS (PUSH/PULL)	OFFSET PIVOT ARM	CENTER PIVOT ARM
●	○	○	○	○	○	●	○	●	●	●	○	●	○	○	○	○

● AVAILABLE
 ○ NOT AVAILABLE

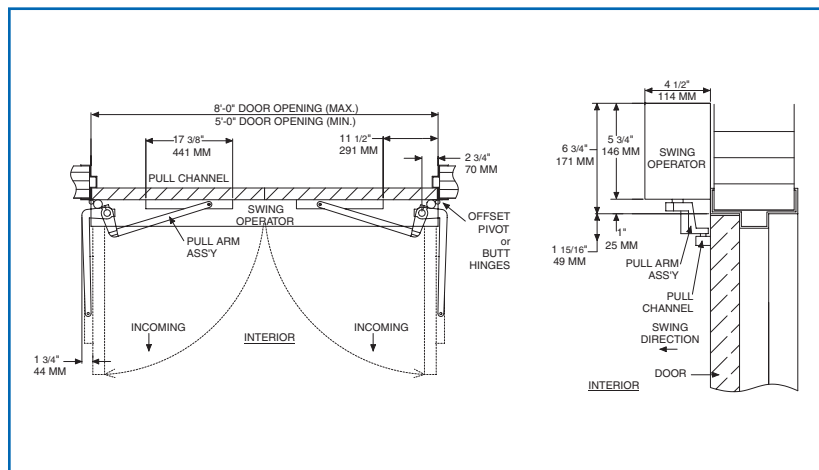
LCN 9760 SERIES

MOUNTING DETAILS

TOP JAMB INDEPENDENT PAIR (OFFSET PIVOT/BUTT HINGE, PUSH) MOUNTING



TOP JAMB INDEPENDENT PAIR (OFFSET PIVOT/BUTTHINGE, PULL) MOUNTING



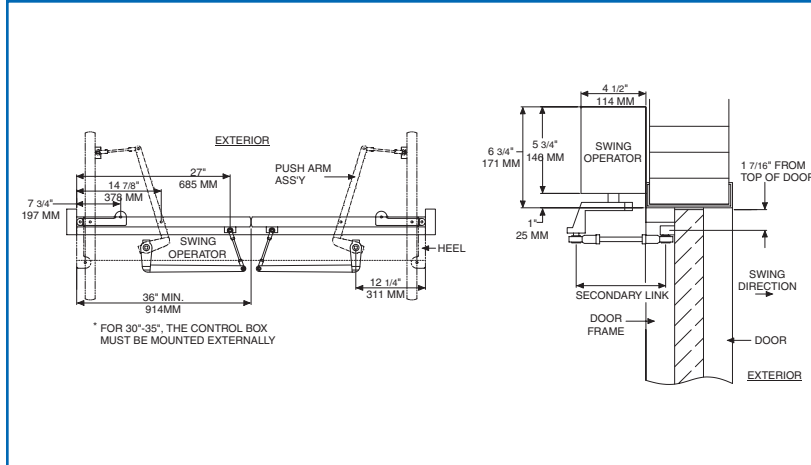
MAXIMUM OPENING

Template allows 90 degree power opening and 90 degree manual opening.

Special Templates

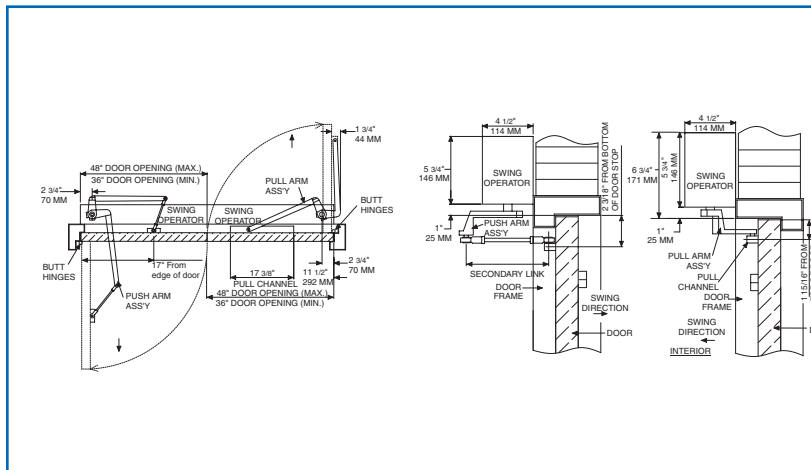
Customized installation templates or products may be available to solve unusual applications. Contact LCN for assistance.

- ▶ **Butt Hinges** should not exceed 5" (127 mm) in width.
- ▶ **Reveal for push** installations should not exceed 10" (254 mm) for REGULAR ARM and 20" (508 mm) for LONG ARM.
- ▶ **Reveal for pull** installations should not exceed 4" (102 mm).
- ▶ **Reveal for double egress** installations should not exceed 4" (102 mm).
- ▶ **Head Frame** minimum 1 3/4" (44 mm). Face frame 6 3/4" (171 mm) total operator clearance.
- ▶ **Top Rail** minimum 2 3/4" (70 mm).
- ▶ **Opening & Closing Time** are variable by adjustments to the electronic control box. Maximum hold-open time adjustable up to approximately 30 seconds.
- ▶ **System Diagram** see "POWER OPERATORS" section pages 26-27 for typical system wiring and page 30 for electrical data.
- ▶ Please consult your local SSC representative or LCN for assistance with specific installations and material requirements.



TOP JAMB SIMULTANEOUS PAIR (BALANCE DOOR, PUSH) MOUNTING

Consult factory for all balance door installations.



TOP JAMB INDEPENDENT PAIR (RH DOUBLE EGRESS) MOUNTING

- ▶ **Butt Hinges** should not exceed 5" (127 mm) in width.
- ▶ **Reveal for push** installations should not exceed 10" (254 mm) for REGULAR ARM and 20" (508 mm) for LONG ARM.
- ▶ **Reveal for pull** installations should not exceed 4" (102 mm).
- ▶ **Reveal for double egress** installations should not exceed 4" (102 mm).
- ▶ **Head Frame** minimum 1 3/4" (44 mm). Face frame 6 3/4" (171 mm) total operator clearance.
- ▶ **Top Rail** minimum 2 3/4" (70 mm).
- ▶ **Opening & Closing Time** are variable by adjustments to the electronic control box. Maximum hold-open time adjustable up to approximately 30 seconds.
- ▶ **System Diagram** see "POWER OPERATORS" section pages 26-27 for typical system wiring and page 30 for electrical data.
- ▶ Please consult your local SSC representative or LCN for assistance with specific installations and material requirements.

MAXIMUM OPENING

Template allows 90 degree power opening and 90 degree manual opening.

Special Templates

Customized installation templates or products may be available to solve unusual applications. Contact LCN for assistance.

LCN 9760 SERIES

MOTOR GEARBOX

MOTOR GEARBOX – MIDDLE SWING, 9760-3454

Driving mechanism for operator. Provides 8 1/2 lbs opening force. Handed.

MOUNTING BRACKETS

MOUNTING BRACKET – 2 3/4", 9760-275

Motor gearbox mounting bracket for 2 3/4" offset pivot or butt hinge installations. Front bracket.

REAR MOUNT BRACKET, 9760-3018

Motor gearbox mounting bracket. Rear bracket.

ANGLED BRACKET, 9760-334-1

Mounting bracket for surface applications.

CONTROL BOXES

CONTROL BOX – MIDDLE SWING, 9760-3462

Electronic controlling device for Middle Swing.

HEADERS

HEADER, 9760-72HL

Standard, mounting header. Pair door, two operators. Specify length 60" to 98" maximum.

END CAPS

HEADER ENDCAPS, 9760-334

End cap with openings for wiring.

END DRESS PLATE, 9760-334-2

Metal finish end cap.

TRACKS

TRACK 9760-3038

Standard non-handed track.

TRACK END CAP 9760-73

Black plastic end caps.

ARMS

STANDARD ARM, 9730-3077T

Handed arm. Track roller not included.

REGULAR ARM, 9740-3077

Handed arm.

LONG ARM, 9740-3077L

Handed long arm.

INDIVIDUAL ARMS COMPONENTS

MAIN ARM, 9760-77

Handed arm attaches to motor gearbox

LINKAGE ASSEMBLY – 15", 9760-79

Threaded rod attaches to door. Extends from main arm.

LINKAGE ASSEMBLY – 32", 9760-79LR

Threaded long rod attaches to door. Extends from main arm.

INSTALLATION ACCESSORIES

ROLLER, 9760-3034

Quiet low friction roller assembly.

SPINDLE PLATE – 2 3/4", 9760-11A

Hides bottom of motor gearbox. Completes header box. Cutout allows for motor gearbox shaft. For 2 3/4" offset pivot or butt hinge installations.

FILLER PLATE BLANK, 9760-12

Completes length of header box.

MOUNTING PLATE, 9760-18

Optional mounting plate for standard hollow metal door frames. Specify length 30" to 98" maximum.

LCN 9760 SERIES

TABLE OF SIZES

→ Indicates recommended range of door width for operator.
Note: For all Middle Swing Series
Independent Pair – Width per leaf 30" minimum to 48" maximum

DOOR WIDTH



HOW-TO-ORDER 9760 SERIES OPERATORS

1. SPECIFY HAND

- RH
- LH

2. SPECIFY FINISH.

- Standard Anodized Finish _____
Aluminum or Dark Bronze

Operator will be shipped with:

- STANDARD MOTOR GEARBOX (SF) (2 ea)
 - STANDARD CONTROL BOX (SC) (2 ea)
 - 72" METAL COVER (72HL)
 - REGULAR ARM (2 ea)
 - 2 3/4" PIVOT POINT
 - MACHINE SCREW PACK
- Unless options listed below are selected.*

OPERATOR OPTIONS

MOTOR GEARBOX

- Reduced Force Motor Gearbox (RF)

HEADER

- 72HL____ (Specify length 60" to 98")

MOUNTING PLATE

- Plate, _____ (Specify Length 30" to 98")

ARM

- Standard Arm (2 ea)
w/Standard Track (2 ea)
- Double Egress
Includes Standard Arm w/Track (1 ea)
& Regular Arm (1 ea)
- Long Arm (3077L)

FINISH

- Custom Anodized Finish _____
- Custom Painted Finish _____

SPECIAL TEMPLATE

- ST-_____