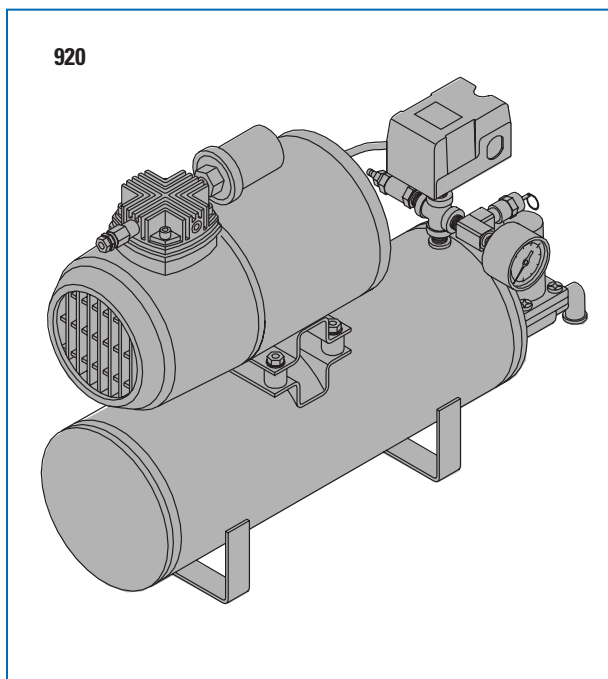


# LCN 900 SERIES COMPRESSORS



**LCN does not manufacture the compressors listed. For warranty information and service parts, contact the compressor manufacturer.**

## 920 (illustrated)

Operators	Up to 2 Auto-Equalizers.
Capacity	2 gallon pressure tank.
Dimensions	23" long, 9" wide, 17" high.
Electrical	115V AC 60 Hz, Single Phase
Amperage	6.0 in-rush, 4.0 continuous
Motor H.P.	0.17
Acoustical	73 dba @ 3', 68 dba @ 20'

## 921

Operators	Up to 4 Auto-Equalizers.
Capacity	12 gallon pressure tank.
Dimensions	31" long, 14" wide, 21" high.
Electrical	115V AC 60 Hz, Single Phase
Amperage	9.0 in-rush, 6.0 continuous
Motor H.P.	0.25
Acoustical	78 dba @ 3', 71 dba @ 20'

## 922

Operators	Up to 8 Auto-Equalizers.
Capacity	20 gallon pressure tank.
Dimensions	33" long, 20" wide, 27" high.
Electrical	115V AC, 60 Hz, Single Phase
Amperage	25.0 in-rush, 10.0 continuous
	or
	230V AC, 60 Hz, Single Phase
	19.0 in-rush, 5.0 continuous
Motor H.P.	0.50
Acoustical	81 dba @ 3', 73 dba @ 20'

## 923

Operators	Up to 20 Auto-Equalizers.
Capacity	30 gallon pressure tank.
Dimensions	38" long, 23" wide, 30" high.
Electrical	115V AC, 60 Hz, Single Phase
Amperage	85.0 in-rush, 22.0 continuous
	or
	230V AC, 60 Hz, Single Phase
	50.0 in-rush, 11.0 continuous
Motor H.P.	1.50
Acoustical	83 dba @ 3', 75 dba @ 20'

Compressor size recommendations are based on normal usage for the number of operators listed. All LCN supplied compressors include an automatic drain feature to periodically exhaust condensation from the pressure tank. Consider sound level, vibration, space requirements, condensation drainage, mounting, and placement of air lines when selecting compressor location. Provide adequate ventilation to avoid overheating the compressor. Compressors carry the compressor manufacturer's limited one year warranty. Contact LCN for details.

## COMPRESSOR INSTALLATION NOTES

1. When usage is infrequent (less than two activations per minute), use one size smaller compressor.
2. Locate compressor so less than 500 linear feet of LCN 7910-925 tubing is required between compressor and control box.
3. Locate compressor where the temperatures do not exceed 120° F or fall below 35° F.
4. Projects requiring ASME certification of the pressure tank require a 921 or larger compressor.
5. LCN 7910-925 tubing or 3/16" metal tubing (by others) must be used to maintain warranty. Contact LCN for details.