

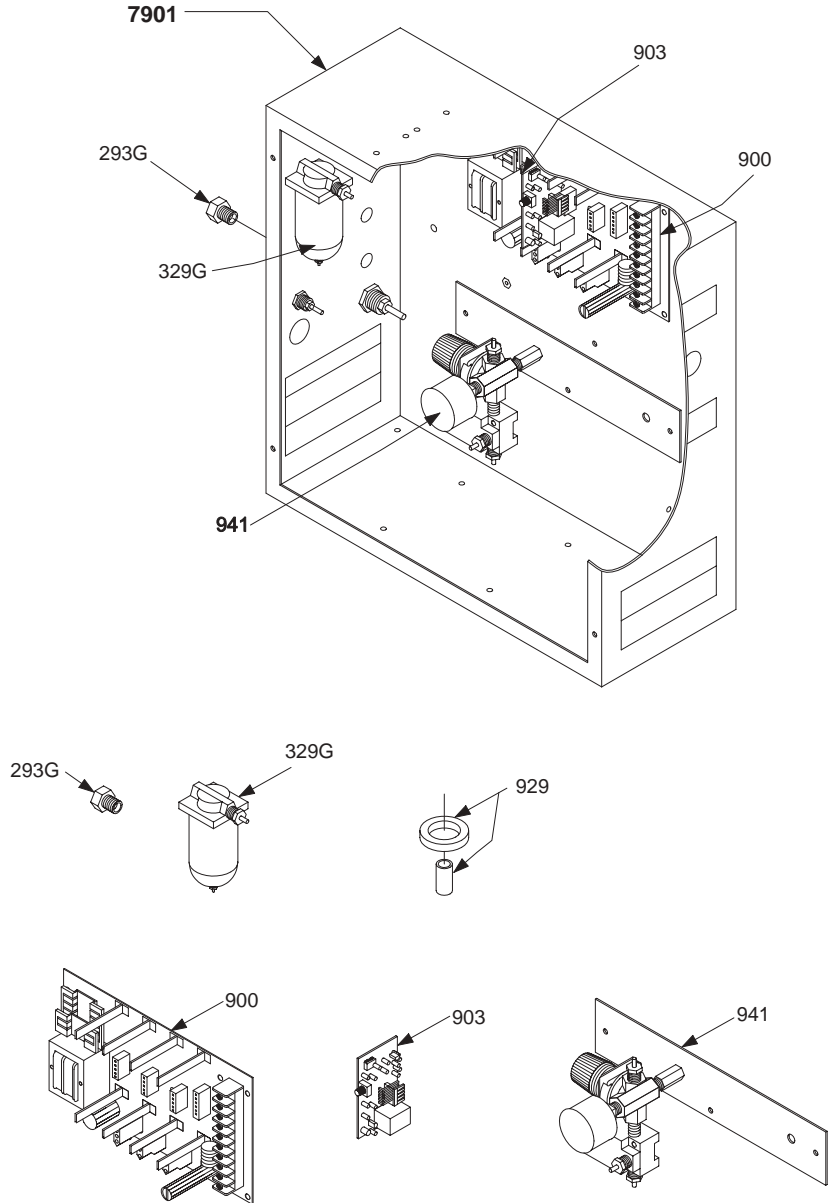
LCN 7901 SERIES "Auto-Equalizer"

Control Box Assemblies

7901 Control Box Assembly
Includes 293G, 329G, 900, 903, & 941

Individual Control Box Components

293G Exhaust Muffler
329G Inlet Air Filter Assembly
Includes 929
900 Power Supply
929 Filter & Seal
903 Timer Module
941 Regulator Valve Assembly



Please specify finish (F), size (S), hand (H), & voltage (V) where indicated. See the latest edition of the LCN Catalog for part descriptions and specifications on many of the items shown above. List prices for items shown above can be located in the current LCN Price List.

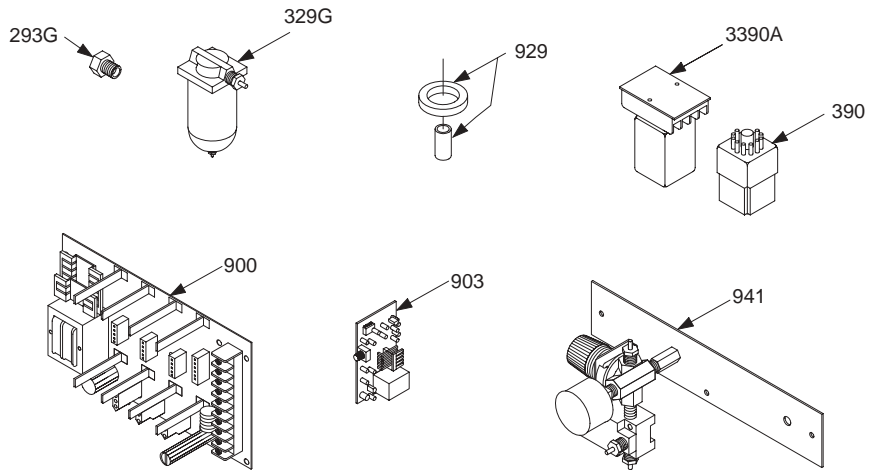
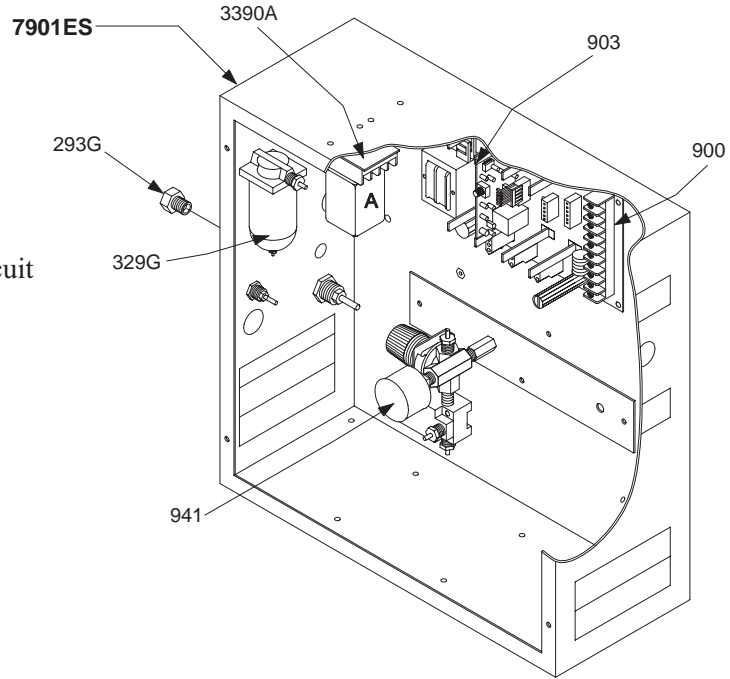
LCN 7901 SERIES "Auto-Equalizer"

Control Box Assemblies

7901ES Control Box Assembly
Includes 293G, 329G, 900, 903, 941, & 3390A

Individual Control Box Components

293G Exhaust Muffler
329G Inlet Air Filter Assembly
Includes 929
390 SPDT Relay
900 Power Supply
929 Filter & Seal
903 Timer Module
941 Regulator Valve Assembly
3390A ES Relay Assembly-"A" Circuit
Includes 390



Please specify finish (F), size (S), hand (H), & voltage (V) where indicated. See the latest edition of the LCN Catalog for part descriptions and specifications on many of the items shown above. List prices for items shown above can be located in the current LCN Price List.

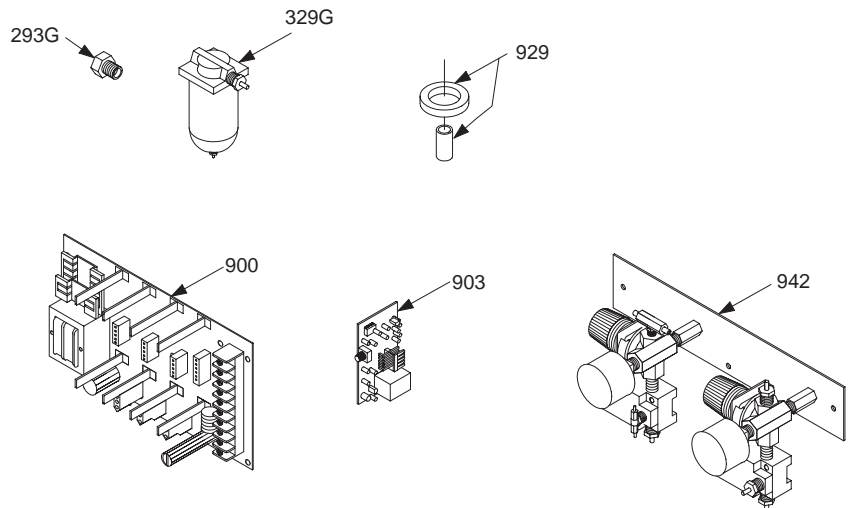
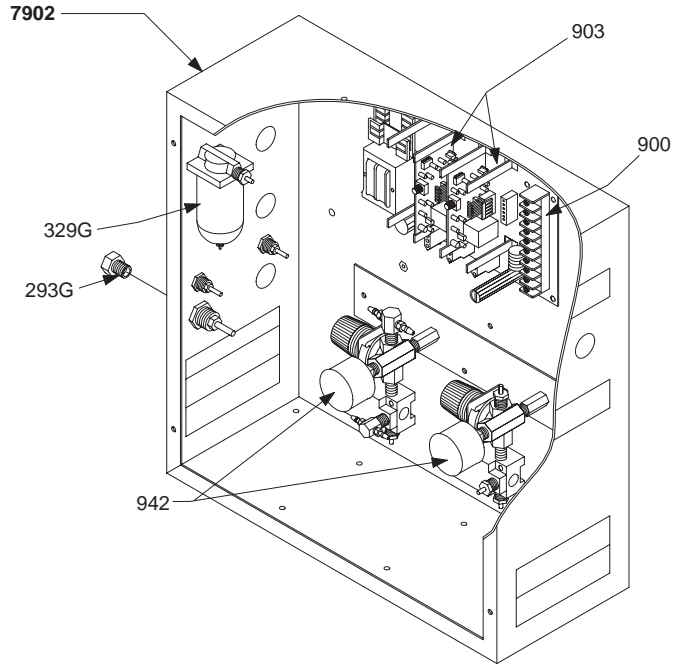
LCN 7902 SERIES "Auto-Equalizer"

Control Box Assemblies

7902 Control Box Assembly
Includes 293G, 329G, 900, 903, & 942

Individual Control Box Components

293G Exhaust Muffler
329G Inlet Air Filter Assembly
Includes 929
900 Power Supply
903 Timer Module
929 Filter & Seal
942 Regulator Valve Assembly



Please specify finish (F), size (S), hand (H), & voltage (V) where indicated. See the latest edition of the LCN Catalog for part descriptions and specifications on many of the items shown above. List prices for items shown above can be located in the current LCN Price List.

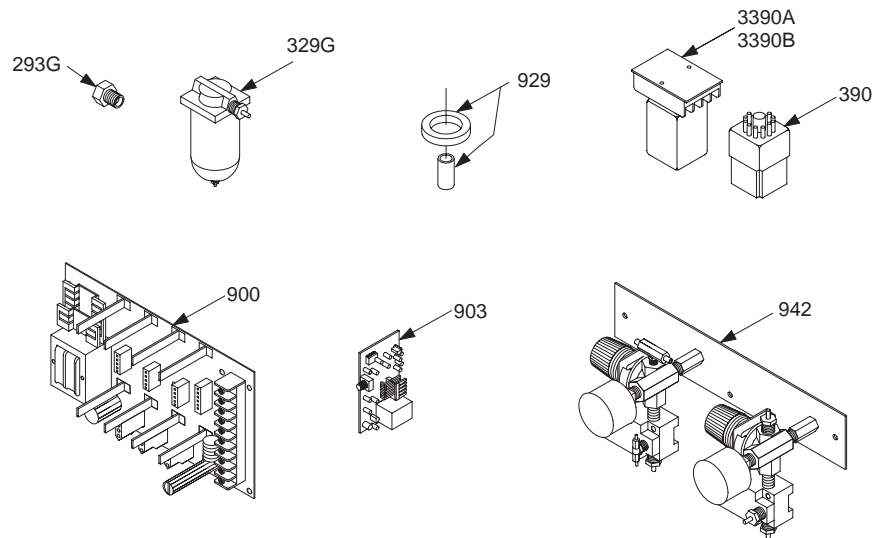
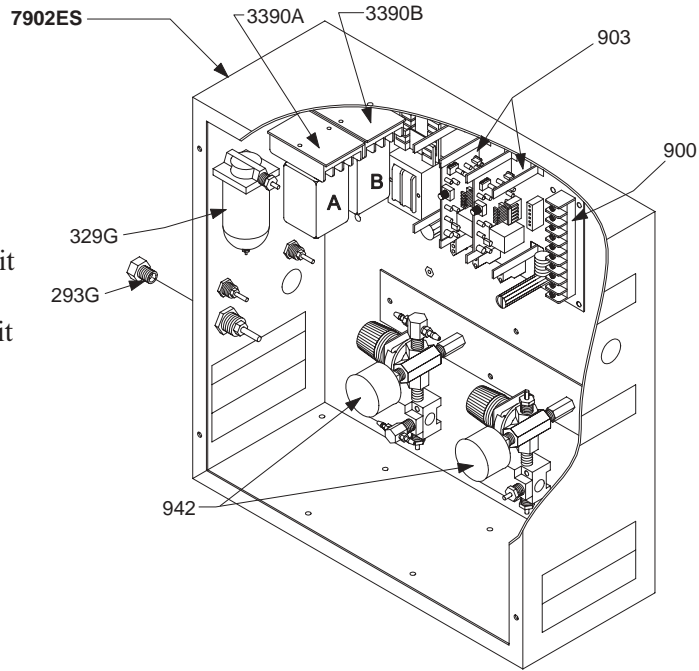
LCN 7902 SERIES "Auto-Equalizer"

Control Box Assemblies

7902ES Control Box Assembly
Includes 293G, 329G, 900, 903, 942, 3390A, & 3390B

Individual Control Box Components

- 293G Exhaust Muffler
- 329G Inlet Air Filter Assembly
Includes 929
- 390 SPDT Relay
- 900 Power Supply
- 903 Timer Module
- 929 Filter & Seal
- 942 Regulator Valve Assembly
- 3390A ES Relay Assembly-"A" Circuit
Includes 390
- 3390B ES Relay Assembly-"B" Circuit
Includes 390



Please specify finish (F), size (S), hand (H), & voltage (V) where indicated. See the latest edition of the LCN Catalog for part descriptions and specifications on many of the items shown above. List prices for items shown above can be located in the current LCN Price List.

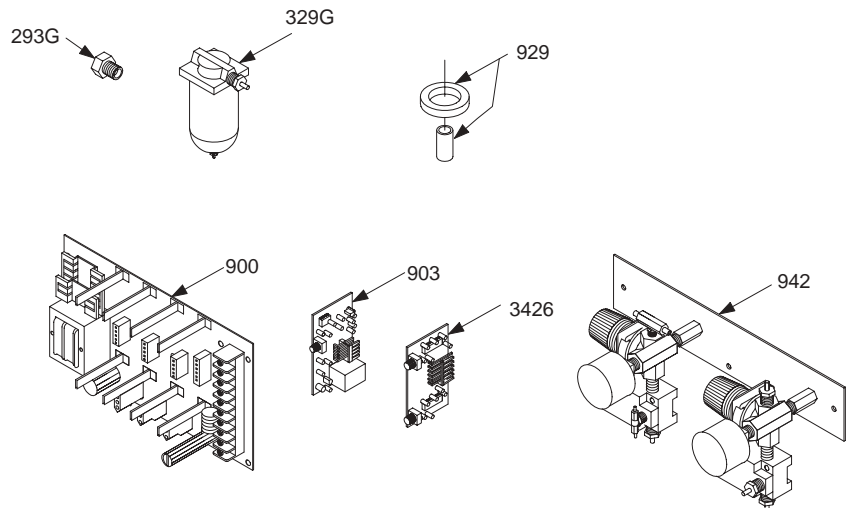
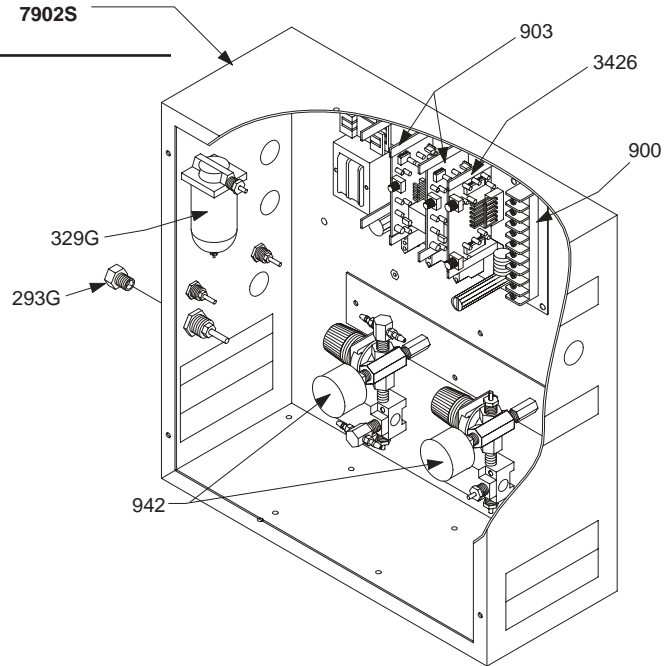
LCN 7902 SERIES "Auto-Equalizer"

Control Box Assemblies

7902S Control Box Assembly
Includes 293G, 329G, 900, 903, 942, & 3426

Individual Control Box Components

293G Exhaust Muffler
329G Inlet Air Filter Assembly
Includes 929
900 Power Supply
903 Timer Module
929 Filter & Seal
942 Solenoid Valve Assembly
3426 Sequencer Card



Please specify finish (F), size (S), hand (H), & voltage (V) where indicated. See the latest edition of the LCN Catalog for part descriptions and specifications on many of the items shown above. List prices for items shown above can be located in the current LCN Price List.

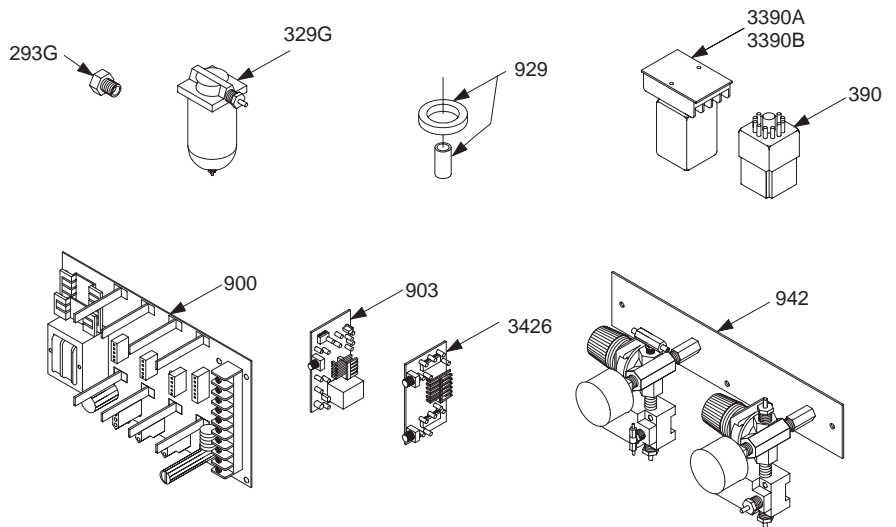
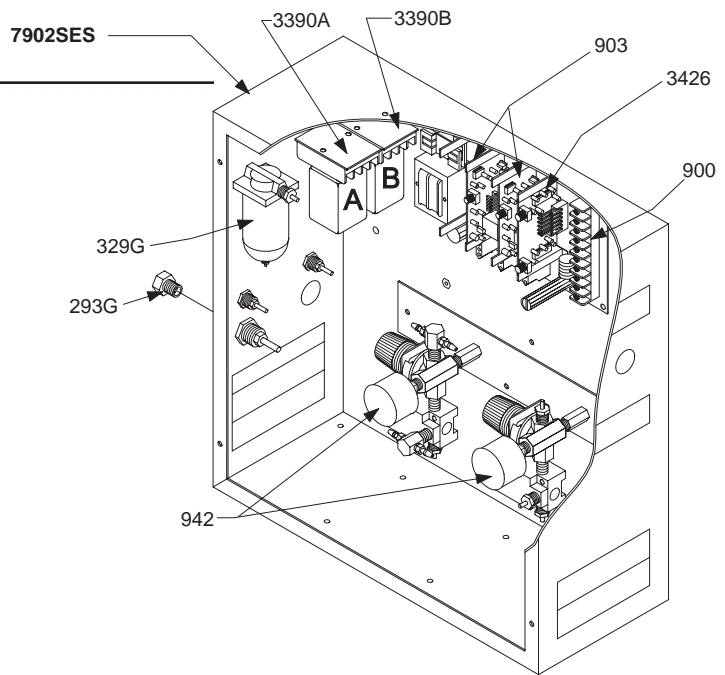
LCN 7902 SERIES "Auto-Equalizer"

Control Box Assemblies

7902SES Control Box Assembly
Includes 293G, 329G, 900, 903, 942, 3390A, 3390B, & 3426

Individual Control Box Components

- 293G Exhaust Muffler
- 329G Inlet Air Filter Assembly
Includes 929
- 390 SPDT Relay
- 900 Power Supply
- 903 Timer Module
- 929 Filter & Seal
- 942 Solenoid Valve Assembly
Includes 390
- 3390A ES Relay Assembly—"A" Circuit
Includes 390
- 3390B ES Relay Assembly—"B" Circuit
Includes 390
- 3426 Sequencer Card



Please specify finish (F), size (S), hand (H), & voltage (V) where indicated. See the latest edition of the LCN Catalog for part descriptions and specifications on many of the items shown above. List prices for items shown above can be located in the current LCN Price List.

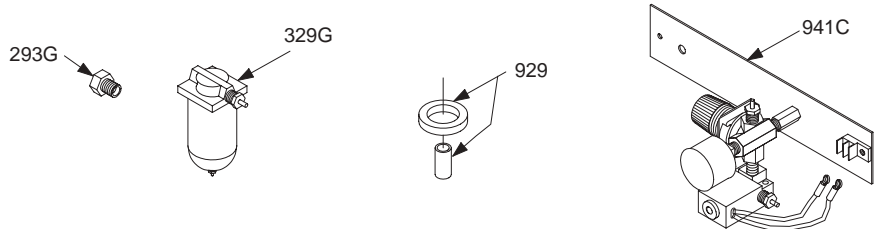
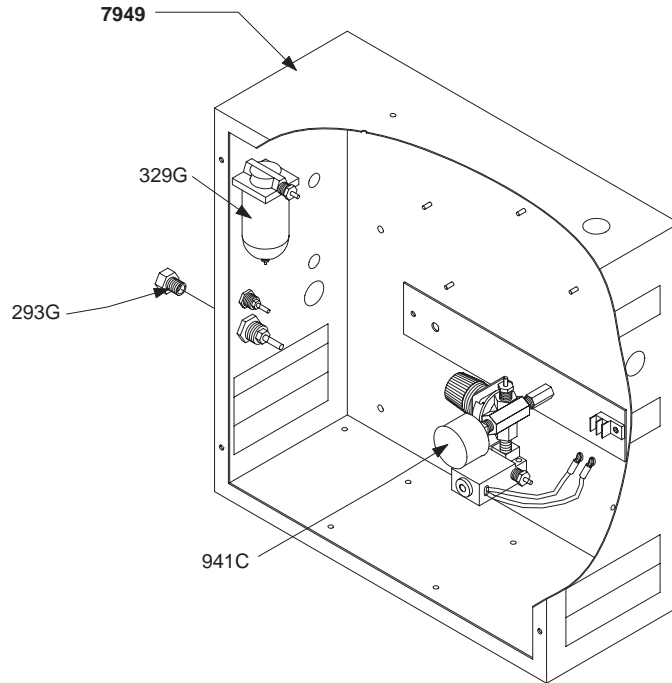
LCN 7949 SERIES "Auto-Equalizer"

Control Box Assemblies

7949 Control Box Assembly
Includes 293G, 329G, & 941C

Individual Control Box Components

293G Exhaust Muffler
329G Inlet Air Filter Assembly
Includes 929
929 Filter & Seal
941C Regulator Valve Assembly



Please specify finish (F), size (S), hand (H), & voltage (V) where indicated. See the latest edition of the LCN Catalog for part descriptions and specifications on many of the items shown above. List prices for items shown above can be located in the current LCN Price List.

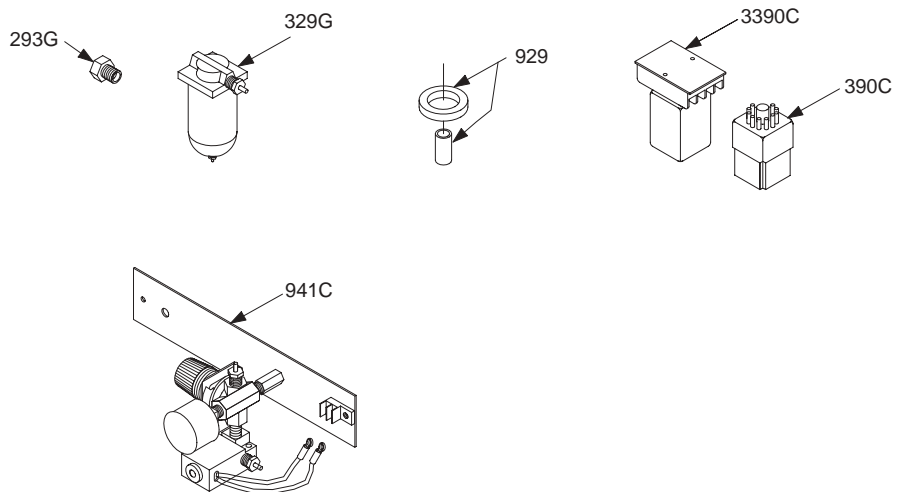
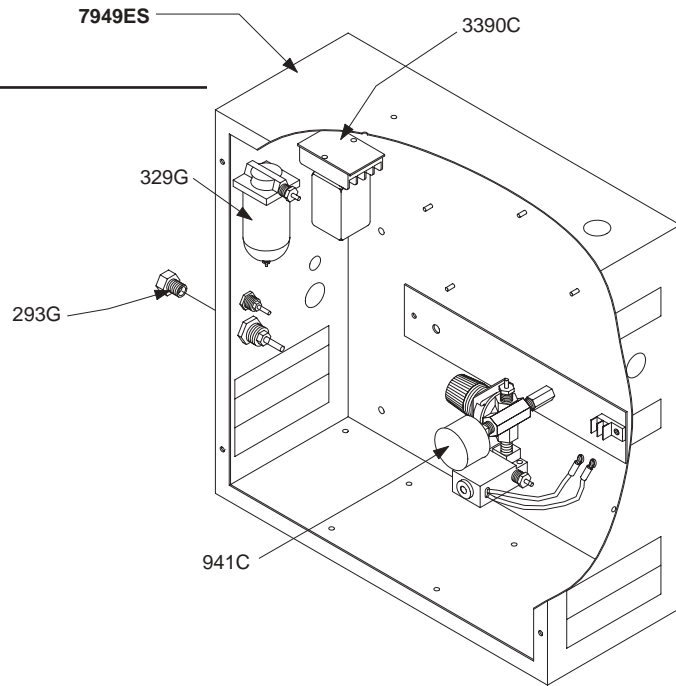
LCN 7949 SERIES "Auto-Equalizer"

Control Box Assemblies

7949ES Control Box Assembly
Includes 293G, 329G, 941C, & 3390C

Individual Control Box Components

293G Exhaust Muffler
329G Inlet Air Filter Assembly
Includes 929
390C DPDT Relay
929 Filter & Seal
941C Regulator Valve Assembly
3390C ES Relay Assembly-"C" Circuit
Includes 390C



Please specify finish (F), size (S), hand (H), & voltage (V) where indicated. See the latest edition of the LCN Catalog for part descriptions and specifications on many of the items shown above. List prices for items shown above can be located in the current LCN Price List.

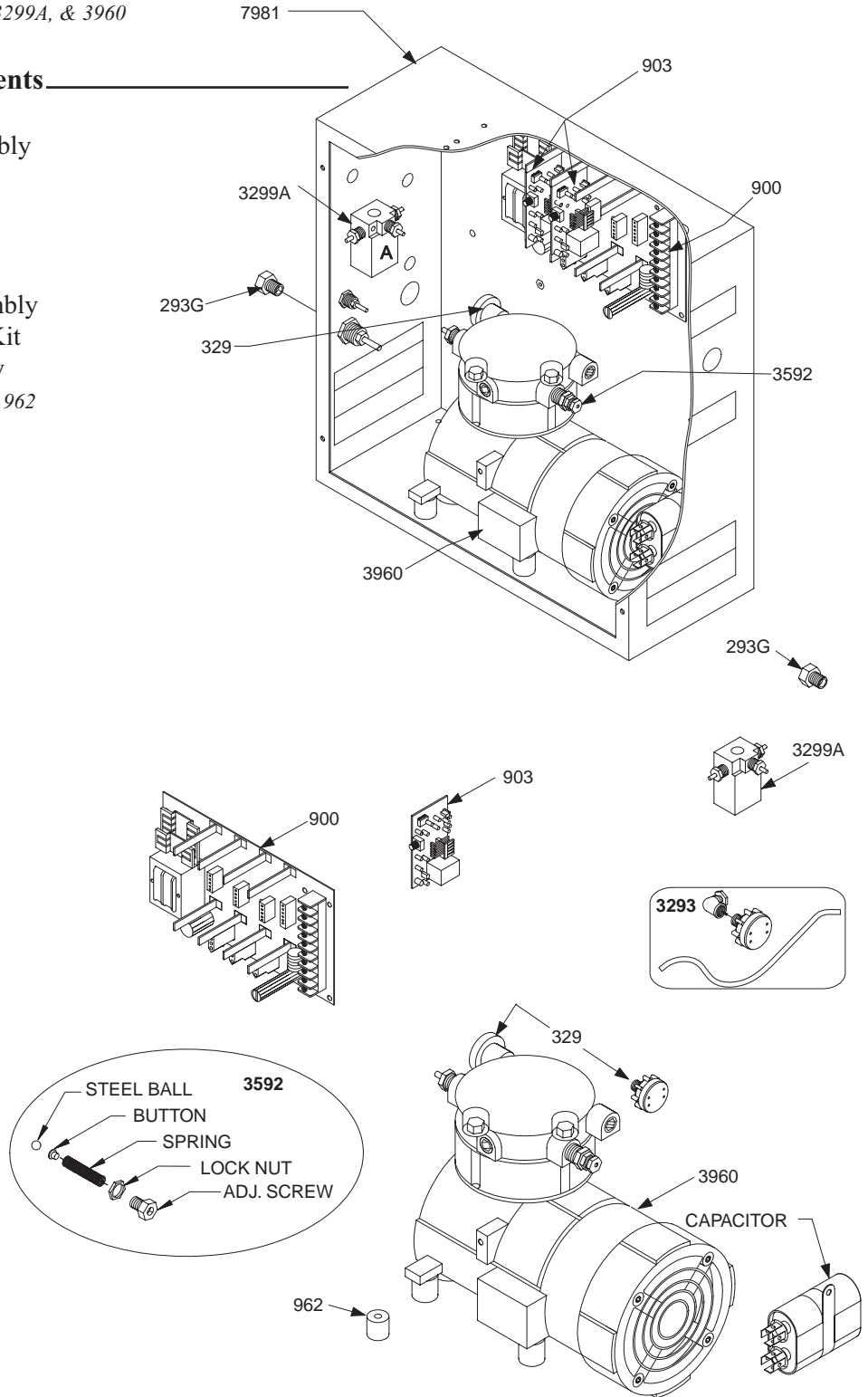
LCN 7981 SERIES "Auto-Equalizer"

Control Box Assemblies

7981 Control Box Assembly
Includes 293G, 900, 903, 3299A, & 3960

Individual Control Box Components

293G Exhaust Muffler
329 Inlet Air Filter Assembly
900 Power Supply
903 Timer Module
962 Rubber Isolator
3293 Filter Service Kit
3299A Solenoid Valve Assembly
3592 Compressor Service Kit
3960 Compressor Assembly
Includes capacitor, 329, & 962



Please specify finish (F), size (S), hand (H), & voltage (V) where indicated. See the latest edition of the LCN Catalog for part descriptions and specifications on many of the items shown above. List prices for items shown above can be located in the current LCN Price List.

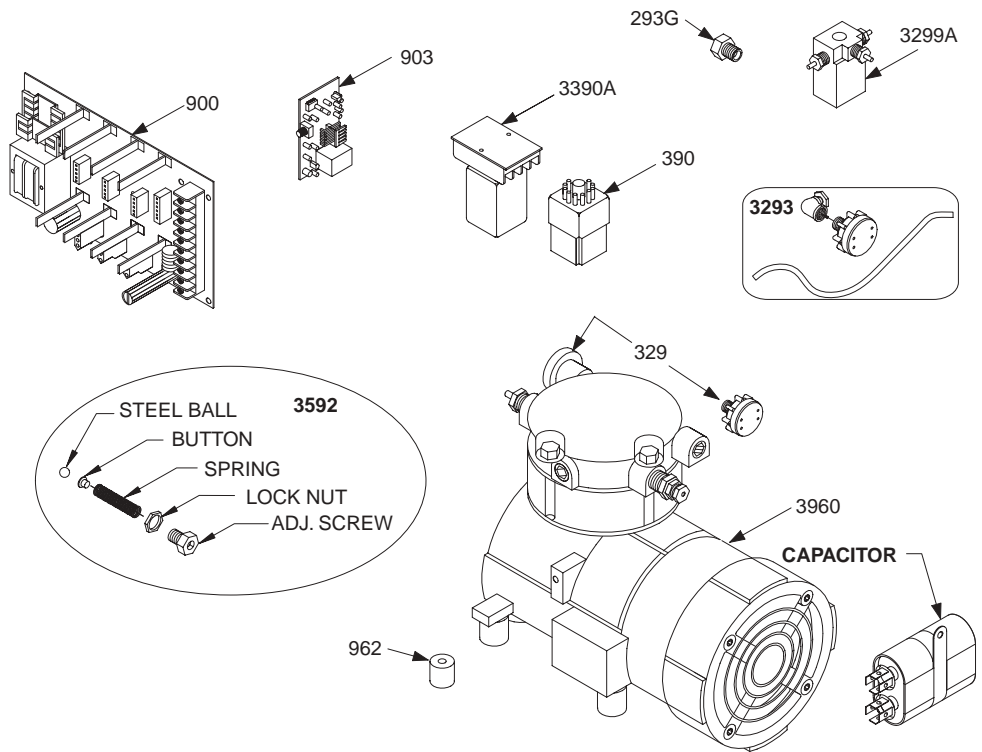
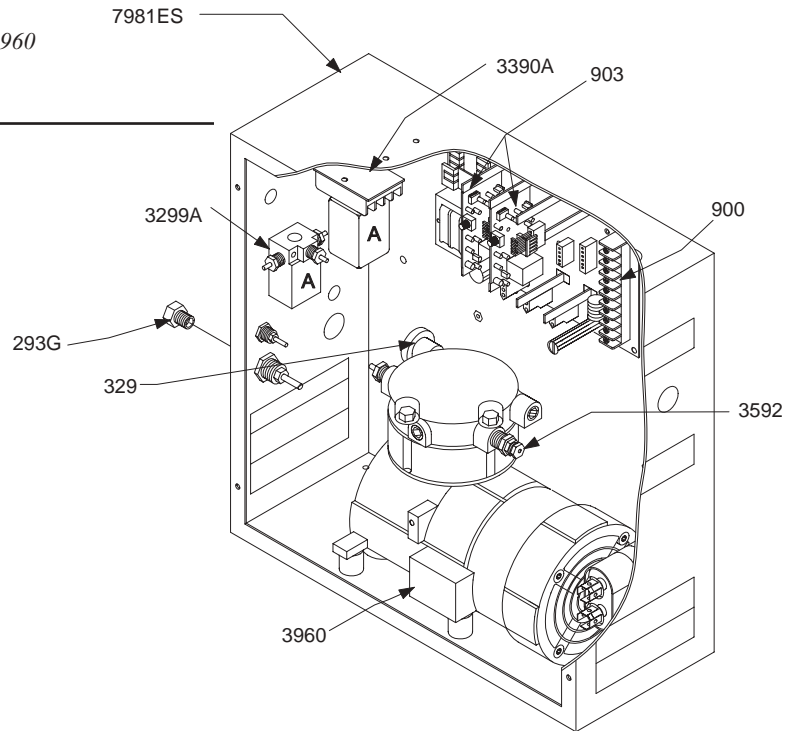
LCN 7981 SERIES "Auto-Equalizer"

Control Box Assemblies

7981ES Control Box Assembly
Includes 293G, 900, 903, 3299A, 3390, & 3960

Individual Control Box Components

293G Exhaust Muffler
329 Inlet Air Filter Assembly
390 SPDT Relay
900 Power Supply
903 Timer Module
3293 Filter Service Kit
3299A Solenoid Valve Assembly
3390A ES Relay Assembly-"A" Circuit
Includes 390
3592 Compressor Service Kit
3960 Compressor Assembly
Includes capacitor, 329, & 962



Please specify finish (F), size (S), hand (H), & voltage (V) where indicated. See the latest edition of the LCN Catalog for part descriptions and specifications on many of the items shown above. List prices for items shown above can be located in the current LCN Price List.

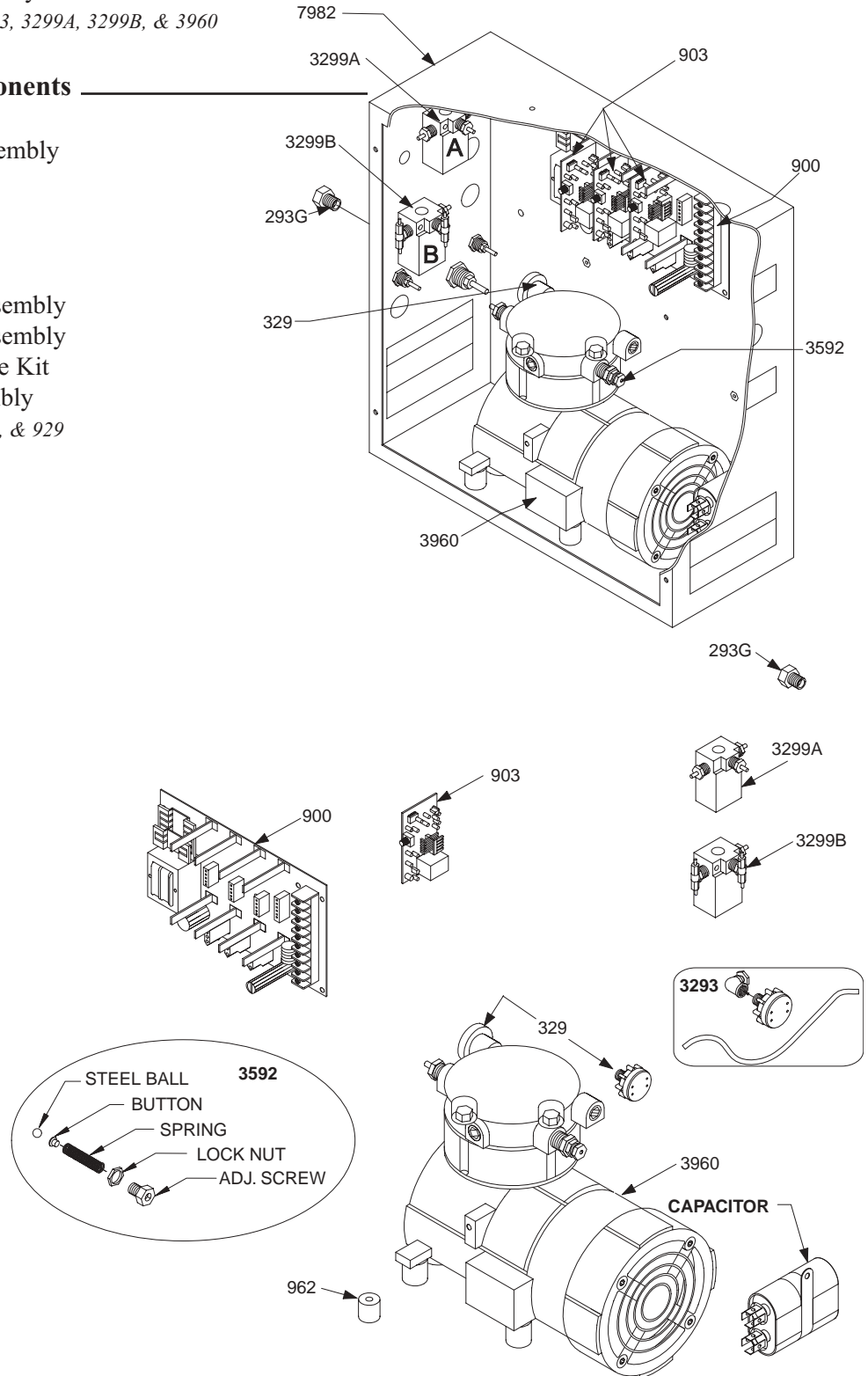
LCN 7982 SERIES "Auto-Equalizer"

Control Box Assemblies

7982 Control Box Assembly
Includes 293G, 900, 903, 3299A, 3299B, & 3960

Individual Control Box Components

293G Exhaust Muffler
329 Inlet Air Filter Assembly
900 Power Supply
903 Timer Module
962 Rubber Isolator
3293 Filter Service Kit
3299A Solenoid Valve Assembly
3299B Solenoid Valve Assembly
3592 Compressor Service Kit
3960 Compressor Assembly
Includes capacitor, 329, & 929



Please specify finish (F), size (S), hand (H), & voltage (V) where indicated. See the latest edition of the LCN Catalog for part descriptions and specifications on many of the items shown above. List prices for items shown above can be located in the current LCN Price List.

LCN 7982 SERIES "Auto-Equalizer"

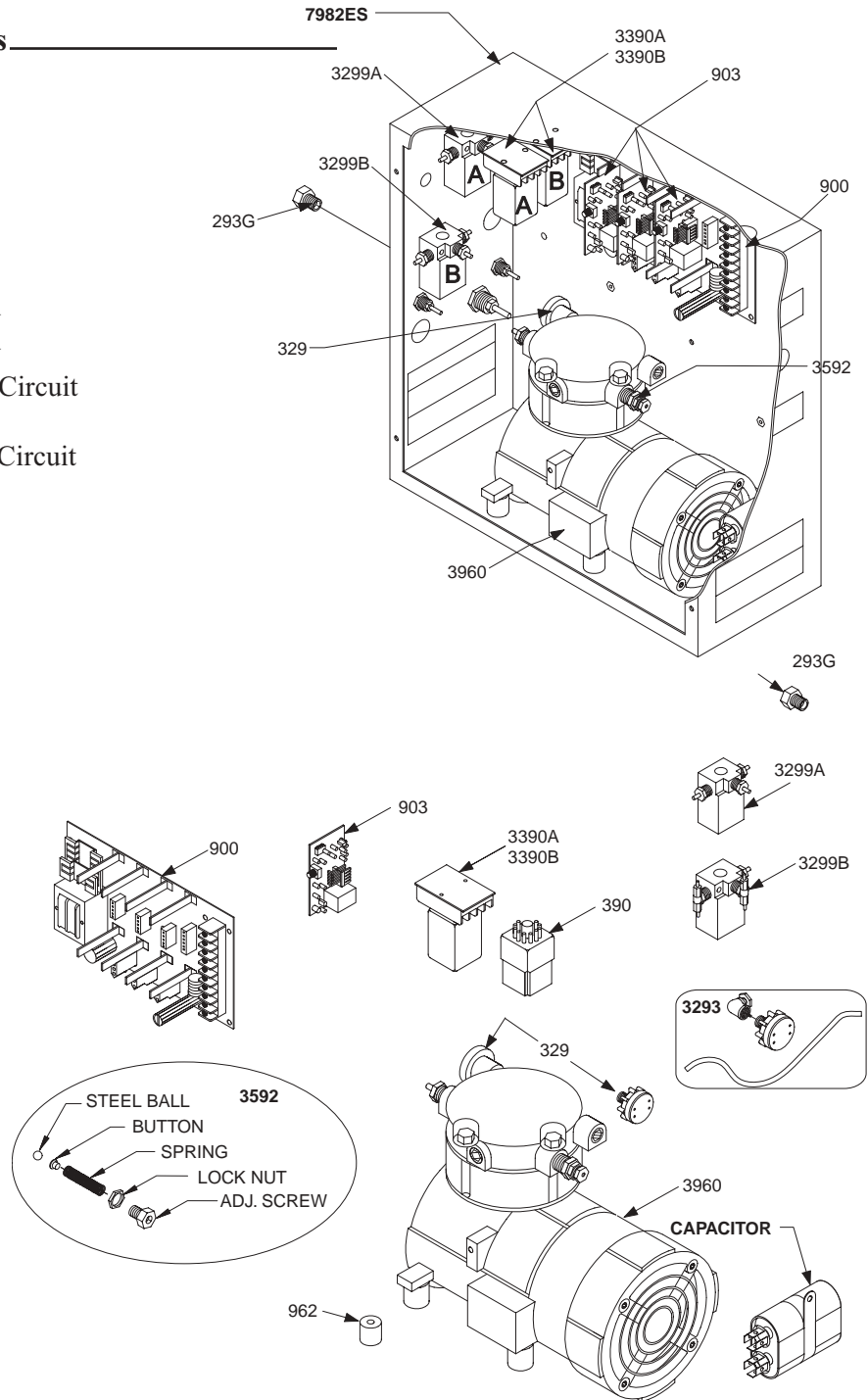
Control Box Assemblies

7982ES Control Box Assembly

Includes 293G, 900, 903, 3299A, 3299B, 3390A, 3390B, & 3960

Individual Control Box Components

- 293G Exhaust Muffler
- 329 Inlet Air Filter Assembly
- 390 SPDT Relay
- 900 Power Supply
- 903 Timer Module
- 962 Rubber Isolator
- 3293 Filter Service Kit
- 3299A Solenoid Valve Assembly
- 3299B Solenoid Valve Assembly
- 3390A ES Relay Assembly-"A" Circuit
Includes 390
- 3390B ES Relay Assembly-"B" Circuit
Includes 390
- 3592 Compressor Service Kit
- 3960 Compressor Assembly
Includes capacitor, 329, & 929



Please specify finish (F), size (S), hand (H), & voltage (V) where indicated. See the latest edition of the LCN Catalog for part descriptions and specifications on many of the items shown above. List prices for items shown above can be located in the current LCN Price List.

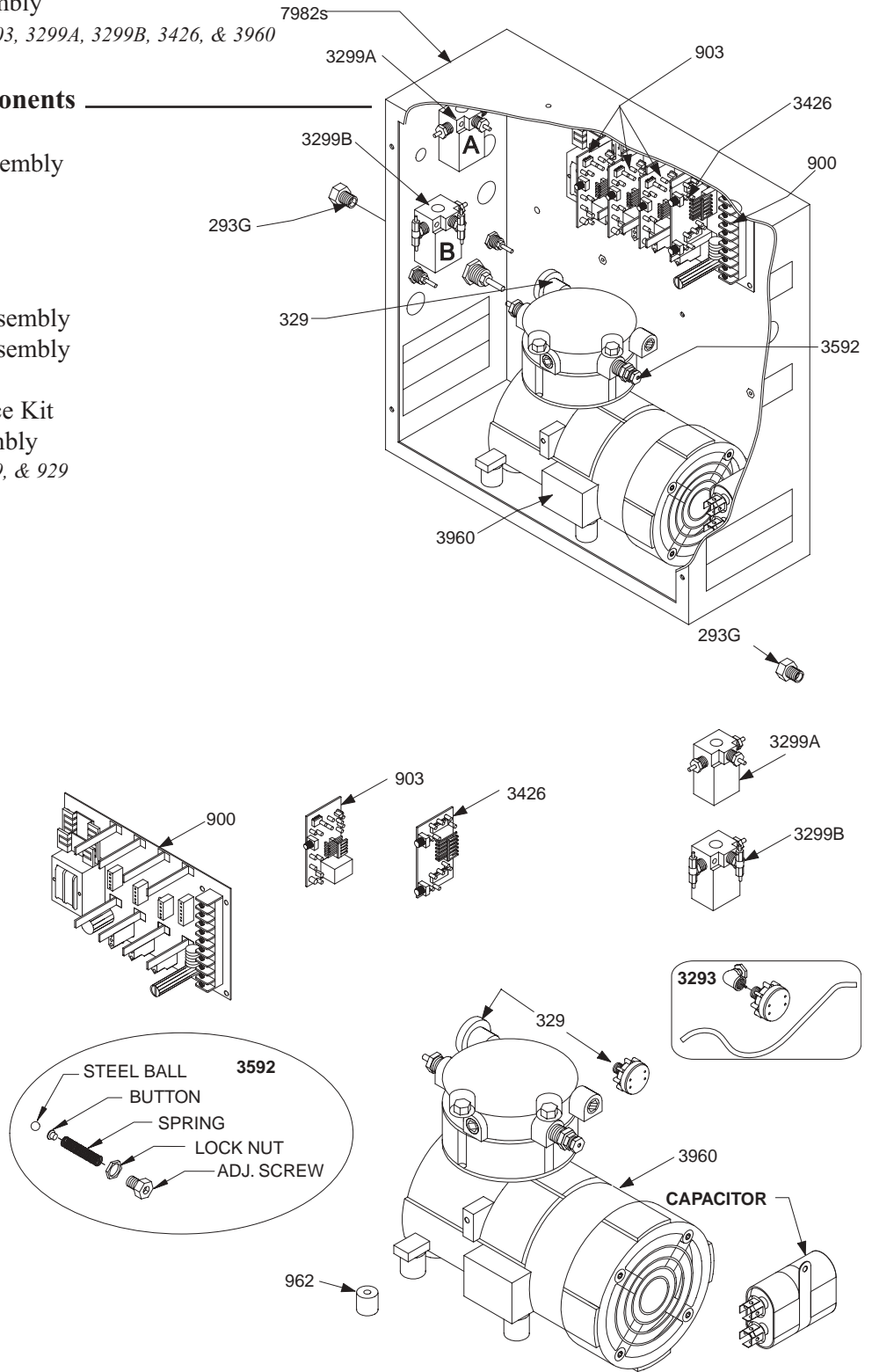
LCN 7982 SERIES "Auto-Equalizer"

Control Box Assemblies

7982S Control Box Assembly
Includes 293G, 900, 903, 3299A, 3299B, 3426, & 3960

Individual Control Box Components

293G Exhaust Muffler
329 Inlet Air Filter Assembly
900 Power Supply
903 Timer Module
962 Rubber Isolator
3293 Filter Service Kit
3299A Solenoid Valve Assembly
3299B Solenoid Valve Assembly
3426 Sequencer Card
3592 Compressor Service Kit
3960 Compressor Assembly
Includes capacitor, 329, & 929



Please specify finish (F), size (S), hand (H), & voltage (V) where indicated. See the latest edition of the LCN Catalog for part descriptions and specifications on many of the items shown above. List prices for items shown above can be located in the current LCN Price List.

LCN 7982 SERIES "Auto-Equalizer"

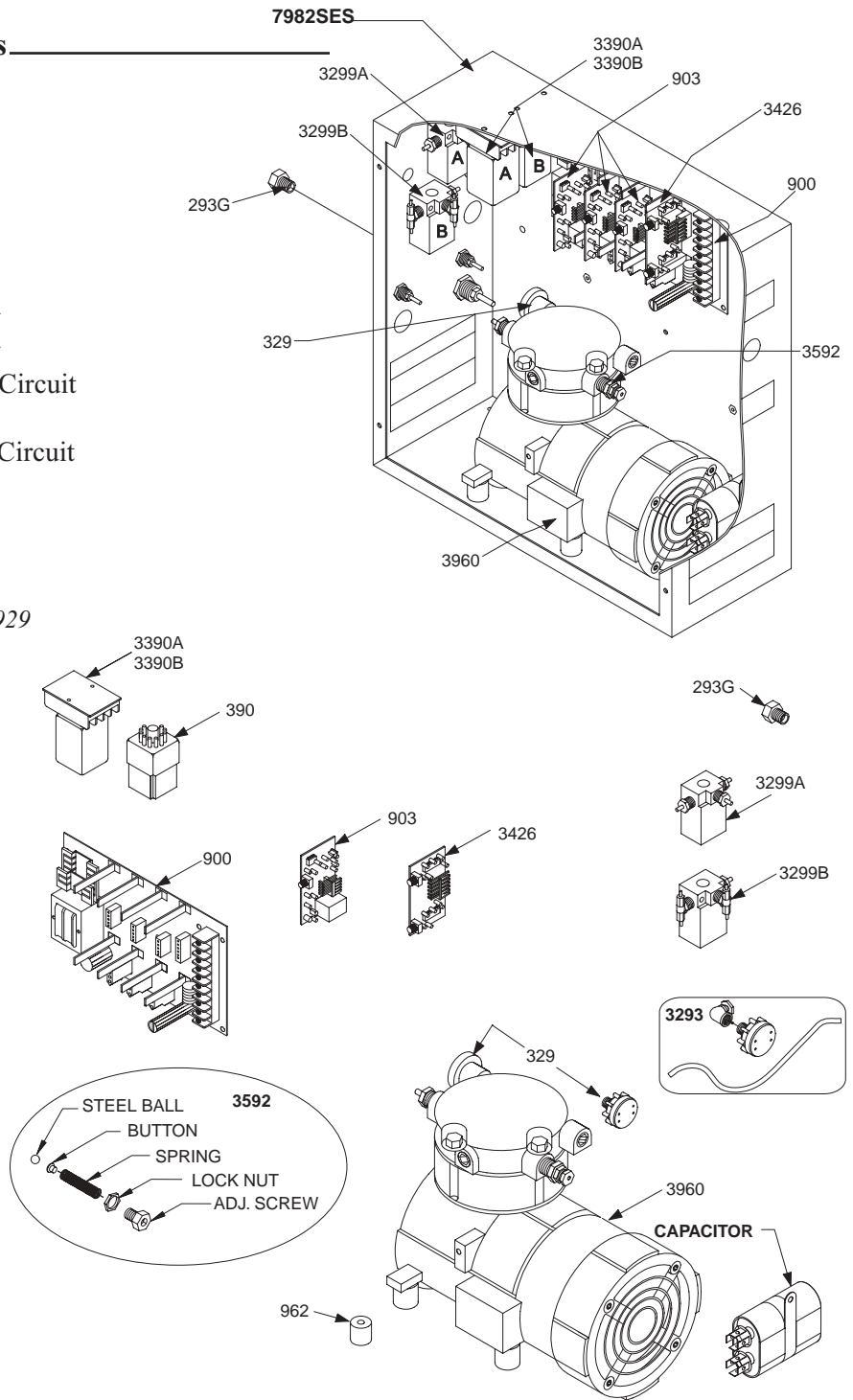
Control Box Assemblies

7982SES Control Box Assembly

Includes 293G, 900, 903, 3299A, 3299B, 3390A, 3390B, 3426, & 3960

Individual Control Box Components

- 293G Exhaust Muffler
- 329 Inlet Air Filter Assembly
- 390 SPDT Relay
- 900 Power Supply
- 903 Timer Module
- 962 Rubber Isolator
- 3293 Filter Service Kit
- 3299A Solenoid Valve Assembly
- 3299B Solenoid Valve Assembly
- 3390A ES Relay Assembly-"A" Circuit
Includes 390
- 3390B ES Relay Assembly-"B" Circuit
Includes 390
- 3426 Sequencer Card
- 3592 Compressor Service Kit
- 3960 Compressor Assembly
Includes capacitor, 329, & 929



Please specify finish (F), size (S), hand (H), & voltage (V) where indicated. See the latest edition of the LCN Catalog for part descriptions and specifications on many of the items shown above. List prices for items shown above can be located in the current LCN Price List.