

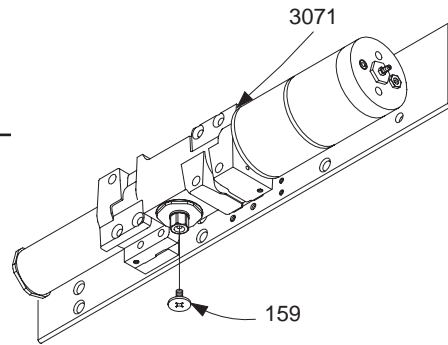
LCN 4840 SERIES "Auto-Equalizer"

Cylinder Assemblies

4841-3071	Cylinder Assembly	F, S
	<i>Includes 4841-3971, 4840-18, & -182(2)</i>	
	<i>Cylinder is adjustable size 1-5</i>	

Individual Cylinder Parts

Individual cylinder parts for 4841-3071			F, S
4841-3971	Cylinder Only		
	<i>Does not include any other components</i>		
	<i>Cylinder is adjustable size 1-5</i>		
4840-18	Mounting Plate	F	
4840-159	Arm Screw	F	
4840-182	Stand-off		

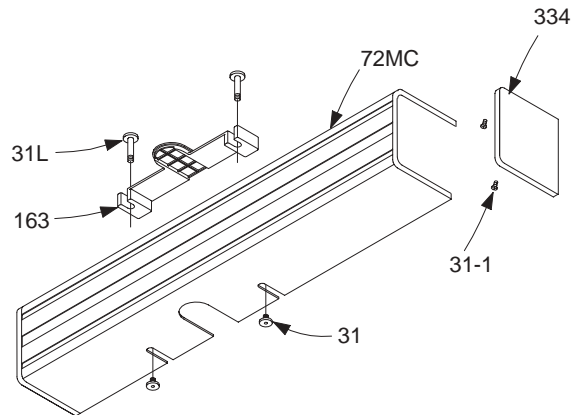
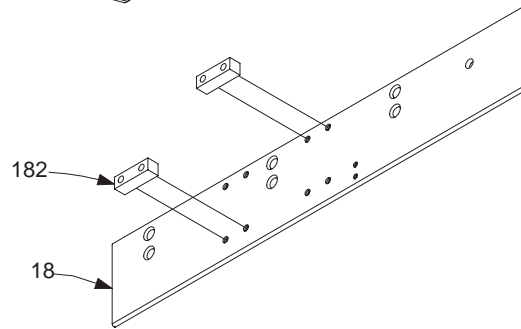
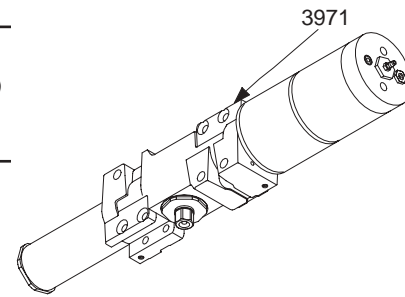


Cover

4840-72MC	Metal Cover	F
	<i>Includes 4840-31(2), -31-1(4), -31L(2), -163, & -334(2)</i>	

Individual Cover Parts

Individual cover parts for 4840-72MC		
4840-31	Cover Screw	F
4840-31-1	End Cap Screw	
4840-31L	Long Cover Screw	F
4840-334	End Cap	F
	<i>Includes 4840-31-1 (2)</i>	
4840-163	Cover Plate	F
	<i>Includes 4840-31L(2)</i>	



Please specify finish (F), size (S), hand (H), & voltage (V) where indicated. See the latest edition of the LCN Catalog for part descriptions and specifications on many of the items shown above. List prices for items shown above can be located in the current LCN Price List.

LCN 4840 SERIES "Auto-Equalizer"

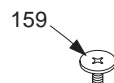
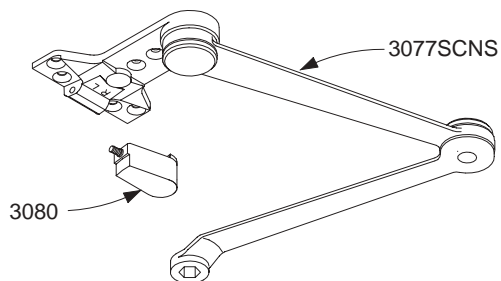
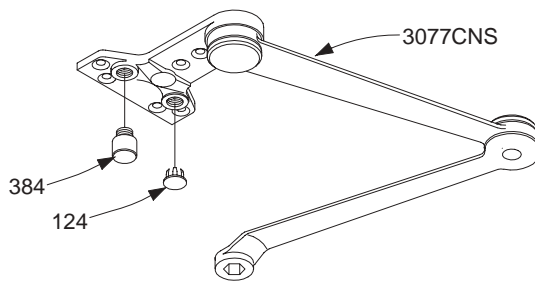
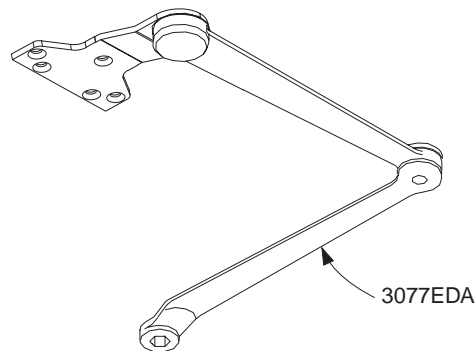
Complete Arm Assemblies

4840-3077EDA	Extra Duty Arm	F
	<i>Includes 4840-159, & -201</i>	
4840-3077CNS	Cush-N-Stop Arm	F
	<i>Includes 4840-124, -159, -201, & -384</i>	
4840-3077SCNS	Spring Cush-N-Stop	F
	<i>Includes 4840-159, -201, & -3080</i>	

Individual Arm Parts

Individual arm parts for 4840-3077EDA, -3077CNS, & -3077SCNS

4840-124	Plug	F
4840-159	Arm Screw	F
4840-201	Fifth Screw Spacer	F
4840-384	Stop	F
4840-3080	Spring Cush Block	F



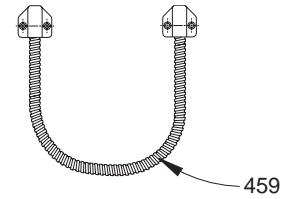
Please specify finish (F), size (S), hand (H), & voltage (V) where indicated. See the latest edition of the LCN Catalog for part descriptions and specifications on many of the items shown above. List prices for items shown above can be located in the current LCN Price List.

LCN 4840 SERIES "Auto-Equalizer"

Installation Accessories

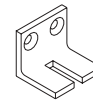
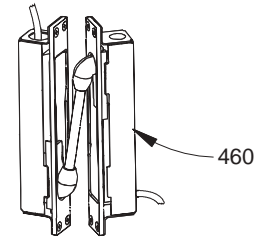
Installation accessories for 4840 Series Power Operator

4840-30	Cush Shoe Support	F
4840-61	Blade Stop Spacer	F
4840-418	PA Shoe Adapter	F
4840-419	Flush Panel Adapter	F
4840-459	Door Loop Kit	
4840-460	Pneumatic Transfer Hinge	

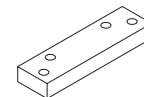


Installations Accessories

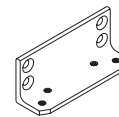
4820-155-1	AE Door Decal <i>(Black/ Yellow Caution decal)</i>
4820-155-2	Door Decal <i>(Blue/White Switch decal)</i>



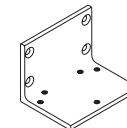
30



61



418



419



155-1



155-2

Please specify finish (F), size (S), hand (H), & voltage (V) where indicated. See the latest edition of the LCN Catalog for part descriptions and specifications on many of the items shown above. List prices for items shown above can be located in the current LCN Price List.

LCN 4840 SERIES "Auto-Equalizer"

Please specify finish **(F)**, size **(S)**, hand **(H)**, & voltage **(V)** where indicated. See the latest edition of the LCN Catalog for part descriptions and specifications on many of the items shown above. List prices for items shown above can be located in the current LCN Price List.