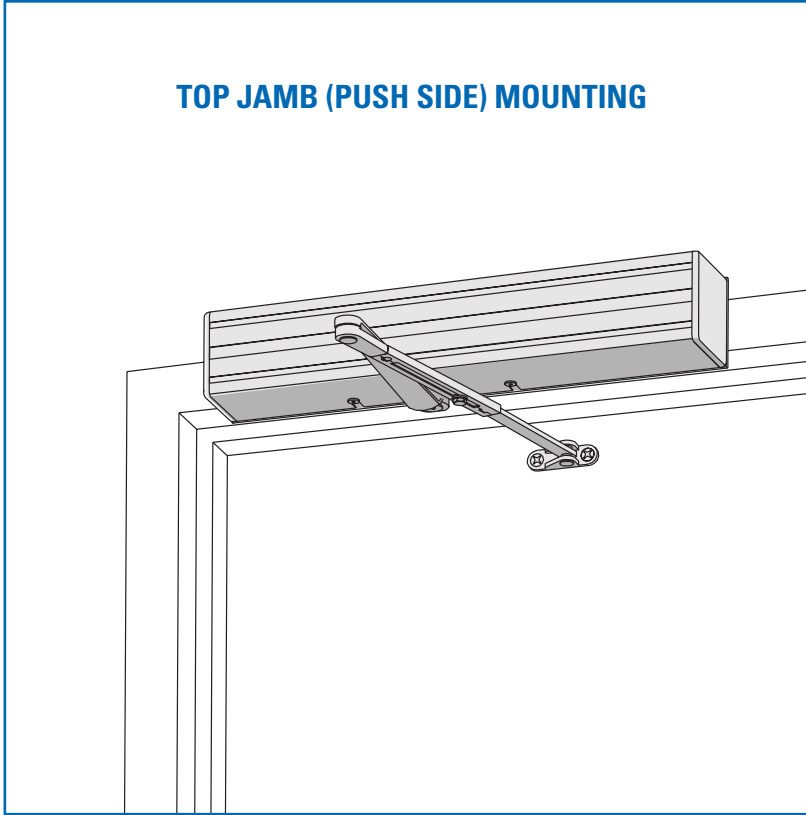


TOP JAMB (PUSH SIDE) MOUNTING



The 4820 AUTO-EQUALIZER™ is LCN's pneumatically powered MULTI-DOOR solution. This low-energy power operator provides easy access for people with disabilities, the elderly, or the frail. Designed primarily for manual opening applications that occasionally require automatic opening.

- ▶ Ideal for multi-door applications since cost per door leaf decrease significantly as the number of door leaves increases.
- ▶ Standard, plate mounted 4820 series closer shipped with regular arm, metal cover, and wood and machine screw pack. See 4820 Series page 177 for options.
- ▶ Meets ADA requirements (power mode only).
- ▶ Non-sized cylinders for interior doors to 4'6" and exterior doors to 3'6".
- ▶ Non-handed.
- ▶ Requires additional system components. See CONTROL BOX pages 184-186 and ACTUATORS & ACCESSORIES, pages 192-195.
- ▶ Standard or optional custom powder coated finish, end caps are black.
- ▶ Optional plated finish on cover, arm, and fasteners.

- ▶ **Multi-Door Solution**
- ▶ **Utilizes a 10 Million Cycle Heavy Duty Door Closer**
- ▶ **Quiet, Efficient & Reliable**
- ▶ **Requires Control Boxes with integral compressor or control box using auxiliary air supply.**
- ▶ **No Guard Rails/Safety Mats Required**

The 4820 Series is UL and ULC listed with regular arm for self-closing doors and meets the provisions of ANSI Standards A117.1, A156.19, and the Americans with Disabilities Act.

MOUNTING				FINISH		COVER		CYLINDER				*ARM FUNCTION					
○	●	○	○	●	●	○	●	●	●	○	●	○	○	90°	○	○	○
TOP JAMB (PULL SIDE)	TOP JAMB (PUSH SIDE)	PARALLEL ARM	CONCEALED	POWDER COAT	PLATED	PLASTIC	METAL	NON-HANDED	NON-SIZED	ACCESSIBILITY*	POWER OPERATOR	HOLD-OPEN	STANDARD (SINGLE)	REGULAR (DOUBLE)	EXTRA DUTY	CUSH-N-STOP	SPRING CUSH

- AVAILABLE
- NOT AVAILABLE

♿ Closer available with less than 5.0 lbs. opening force on 36" door.
* See individual series for maximum manual opening.

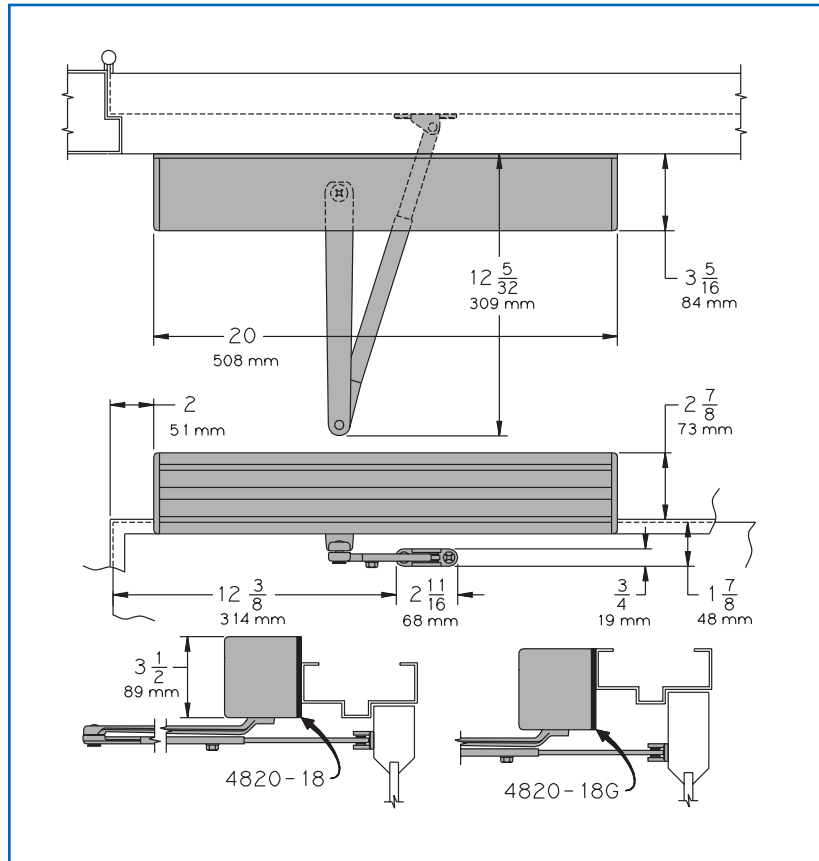
LCN 4820 SERIES

MOUNTING DETAILS

TOP JAMB (PUSH SIDE) MOUNTING

MAXIMUM OPENING

Templating allows 90° power opening and 100° manual opening.



- ▶ **Butt Hinges** should not exceed 5" (127 mm) in width.
- ▶ **Auxiliary Stop is recommended.**
- ▶ **Reveal** of 4 1/2" (114 mm) allows up to 90° power opening and 100° manual opening. 8" (203 mm) allows up to 90° power opening and 100° manual opening with LONG ARM where standard rod and shoe is replaced with optional LONG ROD AND SHOE, 4820-79LR.
- ▶ **Head Frame** minimum 1 3/4" (44 mm).
With flush ceiling use PLATE, 4820-18G substituted for standard plate.
- ▶ **Top Rail** minimum 1 3/4" (44 mm).
Closer on 4820-18G plate requires 3" (76 mm) minimum.
- ▶ **System Diagram** See "POWER OPERATORS" section pages 164-165 for typical system wiring, and page 186 for electrical and pneumatic data.

Options

- ▶ Long arm.
- ▶ 18G plate.

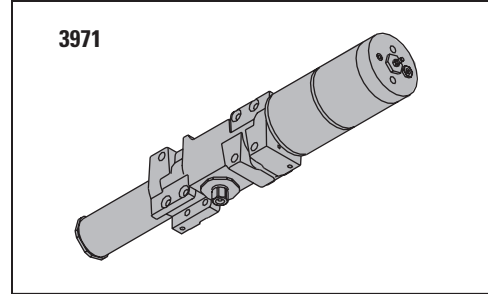
Special Templates

Customized installation templates or products may be available to solve unusual applications. Contact LCN for assistance.

CYLINDERS

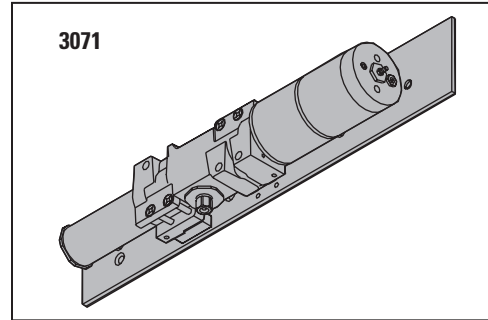
CYLINDER ONLY, 4822-3971

Standard, non-handed, cast iron cylinder.



CYLINDER ASSEMBLY, 4822-3071

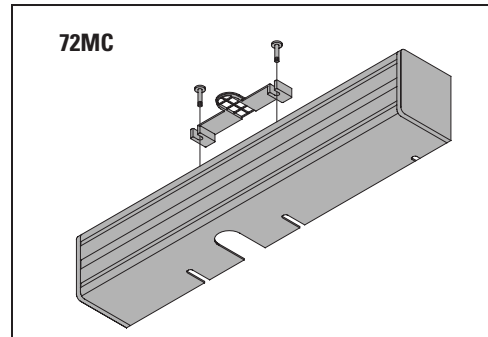
Standard, non-handed, cast iron cylinder. Includes; 4820-18 Mounting Plate or 4820-18G Mounting Plate (must specify).



COVERS

COVER, 4820-72MC

Standard, non-handed metal cover with black end caps.



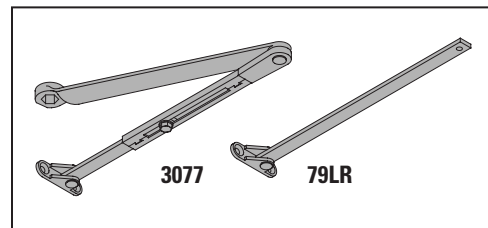
ARMS

REGULAR ARM, 4820-3077

Non-handed arm.

LONG ARM, 4820-3077L

Arm includes LONG ROD AND SHOE, 4820-79LR for deep reveals.

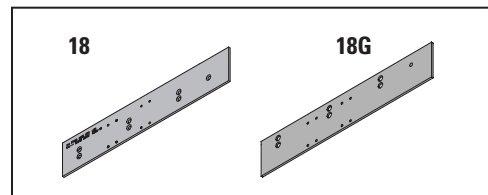


INSTALLATION ACCESSORIES

PLATE, 4820-18

Standard mounting plate.

Plate requires minimum 1 3/4" (44 mm) minimum head frame and 2" (51 mm) top rail.



PLATE, 4820-18G

Replaces standard plate for flush ceiling condition.

Plate requires minimum 1 3/4" (44 mm) minimum head frame and 3" (76 mm) top rail.

LCN 4820 SERIES

TABLE OF SIZES

Non-sized 4820 Series cylinder is adjustable from size 2 through size 5 and is shipped set to size 3. Closing power of 4820 Series closers may be increased 50%.

→ Indicates recommended range of door width for closer size.

EXTERIOR (and VESTIBULE) DOOR WIDTH

	24" 610mm	30" 762mm	36" 914mm	42" 1067mm
4822	size 3	size 4	size 5	
Minimum Door Width	→			

INTERIOR DOOR WIDTH

	24" 610mm	34" 864mm	38" 965mm	48" 1219mm	54" 1372mm
4822	size 2	size 3	size 4	size 5	
Minimum Door Width	→				

HOW-TO-ORDER 4820 SERIES CLOSERS

1. SPECIFY FINISH.

- Standard Powder Coat _____
Aluminum, Dark Bronze, Tan, Statuary,
Light Bronze, Black, Brass.

Closer will be shipped with:

- STANDARD CYLINDER,
- STANDARD METAL COVER,
- REGULAR ARM,
- WOOD and MACHINE SCREW PACK,
unless options listed below are selected.

CLOSER OPTIONS

FINISH

- Custom Powder Coat (RAL) _____
- Plated Finish, US _____

ARM

- Long (LONG)

SCREW PACK

- TB*, Wood & Machine Screw (TBWMS)
- TORX Machine Screw (TORX)
- TB* & TORX Machine Screw (TBTRX)

*Specify door thickness if other than 1 3/4".

INSTALLATION ACCESSORIES

- Plate, 4820-18
- Plate, 4820-18G

SPECIAL TEMPLATE

- ST-_____