

LCN 4810 SERIES "Auto-Equalizer"

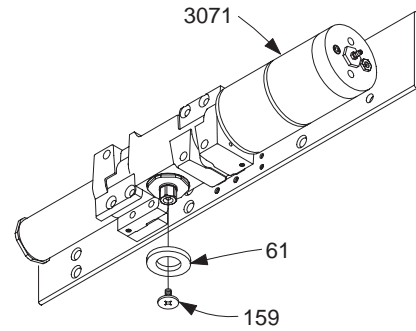
Cylinder Assemblies

4811-3071	Cylinder Assembly	F, S
	<i>Includes 4811-3971, 4810-18, & -182(2)</i>	
	<i>Cylinder is adjustable size 1-4</i>	

Individual Cylinder Parts

Individual cylinder parts for 4811-3071

4811-3971	Cylinder Only	F, S
	<i>Does not include any other components</i>	
	<i>Cylinder is adjustable size 1-4</i>	
4810-18	Mounting Plate	F
4810-61	Shaft Spacer	F
4810-159	Arm Screw	F
4810-182	Stand-off	F



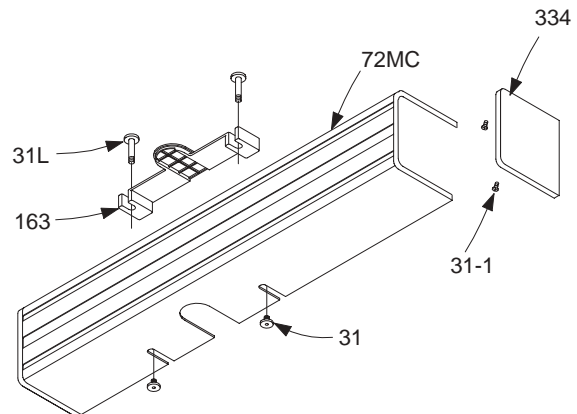
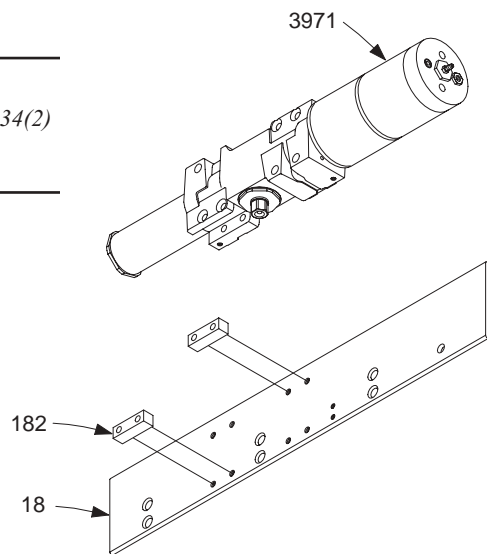
Cover

4810-72MC	Metal Cover	F
	<i>Includes 4810-31(2), -31-1(4), -31L(2), -163, & -334(2)</i>	

Individual Cover Parts

Individual cover parts for 4810-72MC

4810-31	Cover Screw	F
4810-31-1	End Cap Screw	F
4810-31L	Long Cover Screw	F
4810-334	End Cap	F
	<i>Includes 4810-31-1 (2)</i>	
4810-163	Cover Plate	F
	<i>Includes 4810-31L(2)</i>	



Please specify finish (F), size (S), hand (H), & voltage (V) where indicated. See the latest edition of the LCN Catalog for part descriptions and specifications on many of the items shown above. List prices for items shown above can be located in the current LCN Price List.

LCN 4810 SERIES "Auto-Equalizer"

Complete Arm Assemblies

4810-3077T	Standard Arm	F
	<i>Includes 4810-61, -78, -82, -83H, & -425</i>	

Individual Arm Parts

Individual arm parts for 4810-3077T		
4810-61	Shaft Spacer	
4810-78	Arm & Tube	F
	<i>Includes 4810-159</i>	
4810-82	Rod	F
	<i>Includes 4810-83H, & -425</i>	
4810-83H	H Arm Screw	F
4810-159	Arm Screw	F
4810-425	Roller Locking Screw	
4810-3034	Track Roller	

Complete Track Assemblies

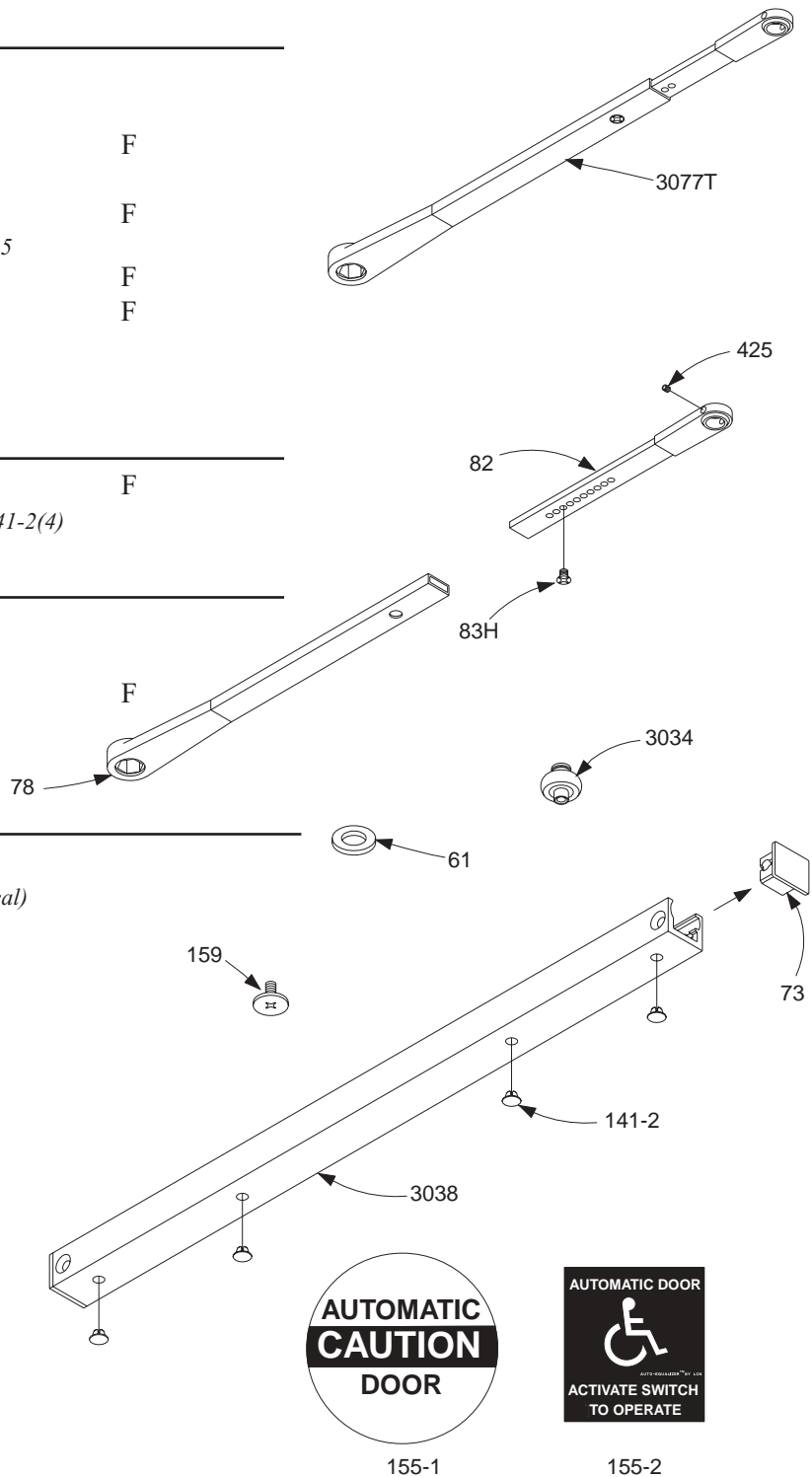
4810-3038	Regular Track	F
	<i>Includes 4810-73(2) & -141-2(4)</i>	

Individual Track Parts

Individual track parts for 4810-3038		
4810-73	End Cap	
4810-141-2	Track Plug	
4810-3034	Track Roller	

Installations Accessories

4810-155-1	AE Door Decal <i>(Black/ Yellow Caution decal)</i>
4810-155-2	Door Decal <i>(Blue/White Switch decal)</i>



Please specify finish (F), size (S), hand (H), & voltage (V) where indicated. See the latest edition of the LCN Catalog for part descriptions and specifications on many of the items shown above. List prices for items shown above can be located in the current LCN Price List.