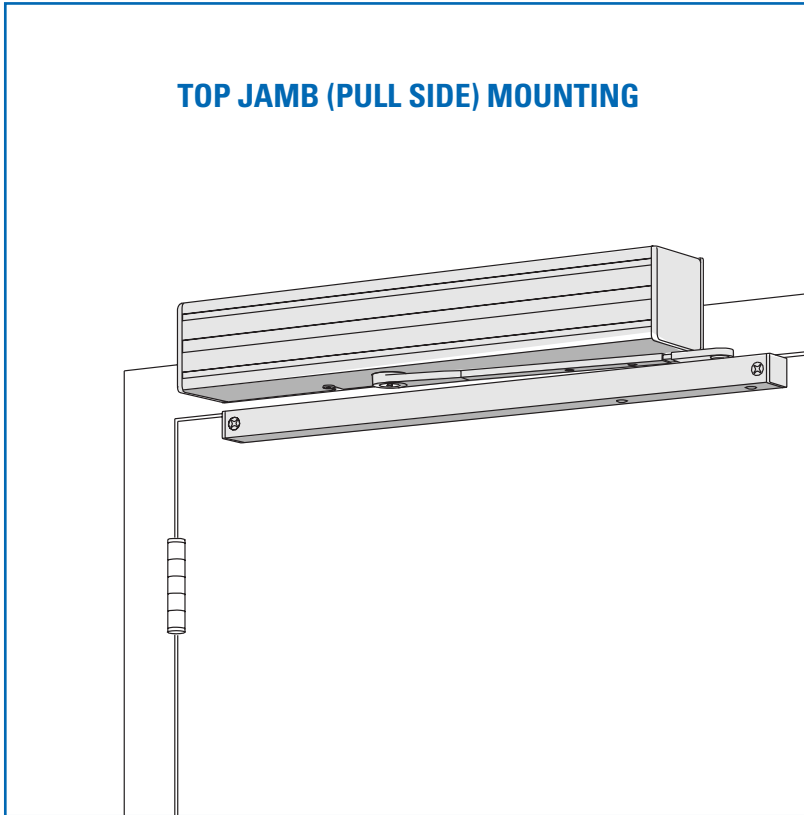


TOP JAMB (PULL SIDE) MOUNTING



The 4810 AUTO-EQUALIZER™ is LCN's pneumatically powered MULTI-DOOR solution. This low-energy power operator provides easy access for people with disabilities, the elderly, or the frail. Designed primarily for manual opening applications that occasionally require automatic opening.

- ▶ Ideal for multi-door applications since cost per door leaf decrease significantly as the number of door leaves increases.
- ▶ Standard, plate mounted 4810 series closer shipped with single lever (standard) arm, metal cover, standard track, and wood and machine screw pack. See 4810 Series page 173 for options.
- ▶ Meets ADA requirements.
- ▶ Non-sized cylinders for interior doors to 4'0" and exterior doors to 3'0".
- ▶ Non-handed.
- ▶ Requires additional system components. See CONTROL BOX pages 184-186 and ACTUATORS & ACCESSORIES, pages 192-195.
- ▶ Standard or optional custom powder coated finish, end caps are black.
- ▶ Optional plated finish on cover, arm, and fasteners.

- ▶ **Multi-Door Solution**
- ▶ **Utilizes a 10 Million Cycle Heavy Duty Door Closer**
- ▶ **Quiet, Efficient & Reliable**
- ▶ **Requires Control Boxes with integral compressor or control box using auxiliary air supply.**
- ▶ **No Guard Rails/Safety Mats Required**

The 4810 Series is UL and ULC listed with standard arm for self-closing doors and meets the provisions of ANSI Standards A117.1, A156.19, and the Americans with Disabilities Act.

MOUNTING				FINISH		COVER		CYLINDER			*ARM FUNCTION						
TOP JAMB (PULL SIDE)	TOP JAMB (PUSH SIDE)	PARALLEL ARM	CONCEALED	POWDER COAT	PLATED	PLASTIC	METAL	NON-HANDED	NON-SIZED	ACCESSIBILITY*	POWER OPERATOR	HOLD-OPEN	STANDARD (SINGLE)	REGULAR (DOUBLE)	EXTRA DUTY ARM	CUSH-N-STOP	SPRING CUSH
●	○	○	○	●	●	○	●	●	○	○	○	○	90°	○	○	○	○

- Available
- Not available

♿ Closer available with less than 5.0 lbs. opening force on 36" door.
* See individual series for maximum manual opening.

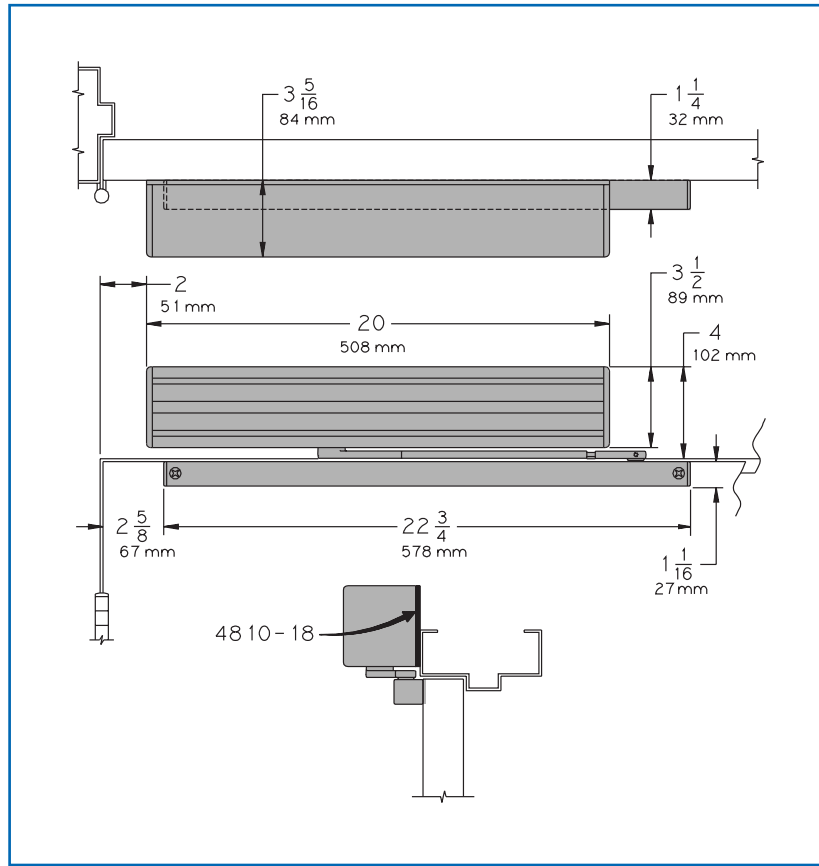
LCN 4810 SERIES

MOUNTING DETAILS

TOP JAMB (PULL SIDE) MOUNTING

MAXIMUM OPENING

Templating allows 90° power opening and 170° manual opening.



- ▶ **Butt Hinges** should not exceed 5" (127 mm) in width.
- ▶ **Auxiliary Stop is recommended.**
- ▶ **Reveal** should not exceed 1/8" (3 mm).
- ▶ **Head Frame** minimum 2" (51 mm).
- ▶ **Top Rail** minimum 1 1/8" (29 mm).
- ▶ **System Diagram** See "POWER OPERATORS" section pages 164-165 for typical system wiring, and page 186 for electrical and pneumatic data.

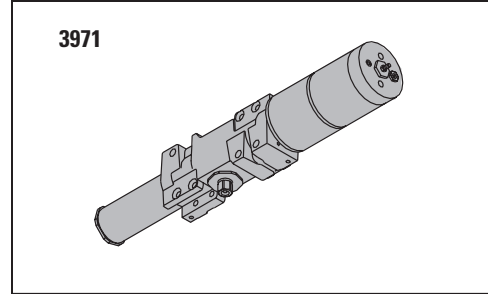
Special Templates

Customized installation templates or products may be available to solve unusual applications. Contact LCN for assistance.

CYLINDERS

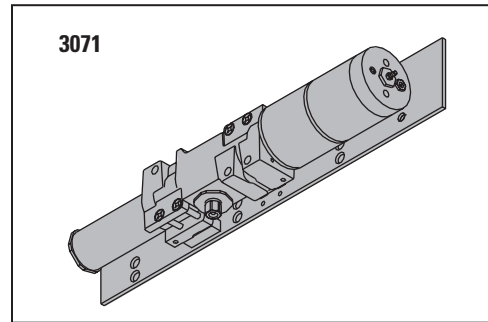
CYLINDER ONLY, 4811-3971

Standard, non-handed, cast iron cylinder.



CYLINDER ASSEMBLY, 4811-3071

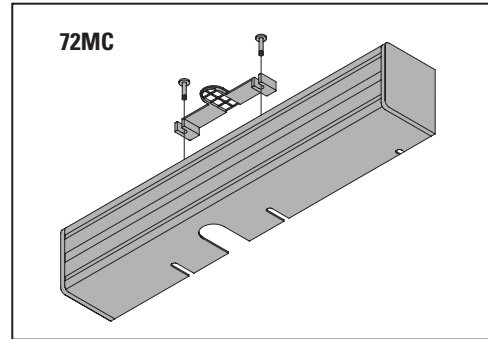
Standard, non-handed, cast iron cylinder and mounting plate.



COVERS

COVER, 4810-72MC

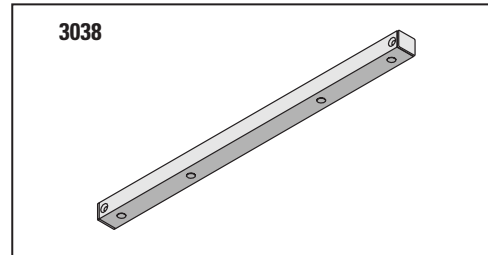
Standard, non-handed metal cover with black end caps.



TRACKS

STANDARD TRACK, 4810-3038

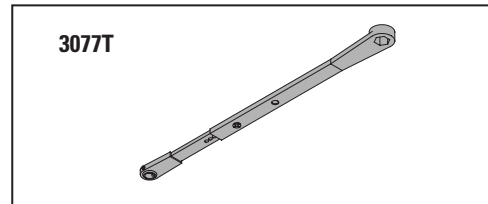
Standard non-handed track.
Will not accept hold-open clip or bumper assembly.



ARMS

STANDARD ARM, 4810-3077T

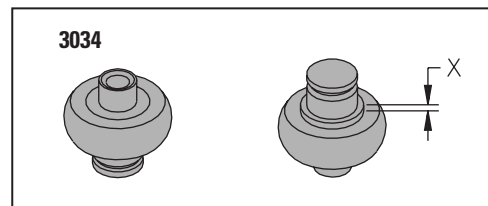
Non-handed arm.
Track roller not included with arm.



INSTALLATION ACCESSORIES

TRACK ROLLER, 4810-3034

Quiet low friction roller assembly.
Shoulder dimension "X" = 1/8" (3mm).



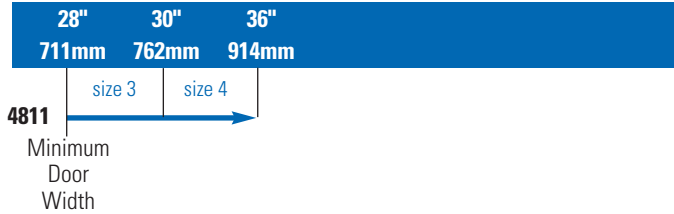
LCN 4810 SERIES

TABLE OF SIZES

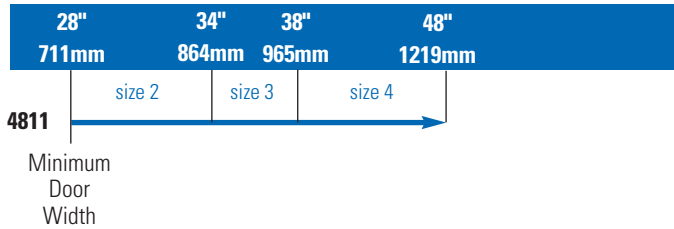
Non-sized 4810 series cylinder is adjustable from size 1 through size 4 and is shipped set to size 3. Closing power of 4810 Series closers may be increased 50%.

→ Indicates recommended range of door width for closer size.
 Note: Minimum door width 28" (711 mm).

EXTERIOR (and VESTIBULE) DOOR WIDTH



INTERIOR DOOR WIDTH



HOW-TO-ORDER 4810 SERIES CLOSERS

1. SPECIFY FINISH.

- Standard Powder Coat _____
 Aluminum, Dark Bronze, Tan, Statuary,
 Light Bronze, Black, Brass.

Closer will be shipped with:

- STANDARD CYLINDER,
- STANDARD METAL COVER,
- STANDARD ARM,
- TRACK ROLLER,
- STANDARD TRACK,
- WOOD and MACHINE SCREW PACK,
unless options listed below are selected.

CLOSER OPTIONS

FINISH

- Custom Powder Coat (RAL) _____
- Plated Finish, US _____

SCREW PACK

- TB*, Wood & Machine Screw (TBWMS)
- TORX Machine Screw (TORX)
- TB* & TORX Machine Screw (TBTRX)

*Specify door thickness if other than 1 3/4".

SPECIAL TEMPLATE

- ST- _____