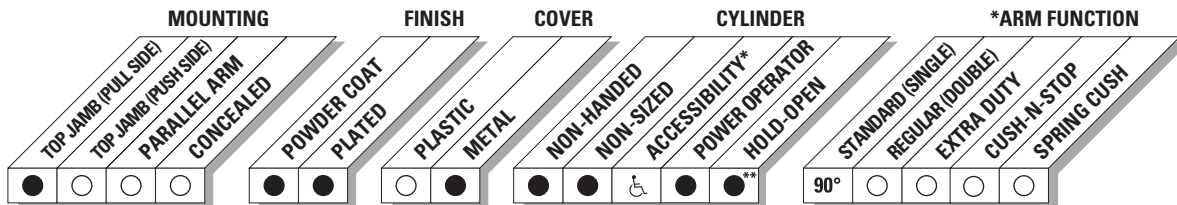


The 4630 AUTO-EQUALIZER™ is LCN's SMART & RELIABLE electrically powered low-energy power operator. It provides easy access for people with disabilities, the elderly, or the frail. Designed primarily for manual opening applications that occasionally required automatic opening.

- ▶ Standard, top jamb (pull side) mounted 4630 series closer shipped with single lever (standard) arm, metal cover, standard track, and wood and machine screw pack. Actuators available separately, see pages 192-195.
- ▶ Meets ADA, Section 4.13.12 requirements.
- ▶ Non-sized cylinders for interior doors to 4'0" and exterior doors to 3'0".
- ▶ Non-handed for either right or left swinging door.
- ▶ Easily accessible switches provide on/off and continuous hold-open functions. Control module provides all timing and sequential door functions, electric strike controls and adjustments for opening speed and force.
- ▶ Standard or optional custom powder coated finish, end caps are black.
- ▶ Optional plated finish on cover, arm, and fasteners.

- ▶ **NEW Digital Control Suite**
- ▶ **Utilizes a 10 Million Cycle Heavy Duty Door Closer**
- ▶ **On-Board Diagnostics**
- ▶ **On-board Power Supply**
- ▶ **Factory-Default Memory**
- ▶ **Plug-and-Play Connections**
- ▶ **No Destruct Feature**
- ▶ **No Guard Rails or Safety Mats Required**

4630 Series is UL and ULC listed with standard arm for self-closing doors and meets the provisions of ANSI Standards A117.1, A156.19, and the Americans with Disabilities Act.



- AVAILABLE
- NOT AVAILABLE

Closer available with less than 5.0 lbs. opening force on 36" door.
 * See individual series for maximum manual opening.
 ** Switch provided for continuous Hold-Open.

LCN 4630 SERIES

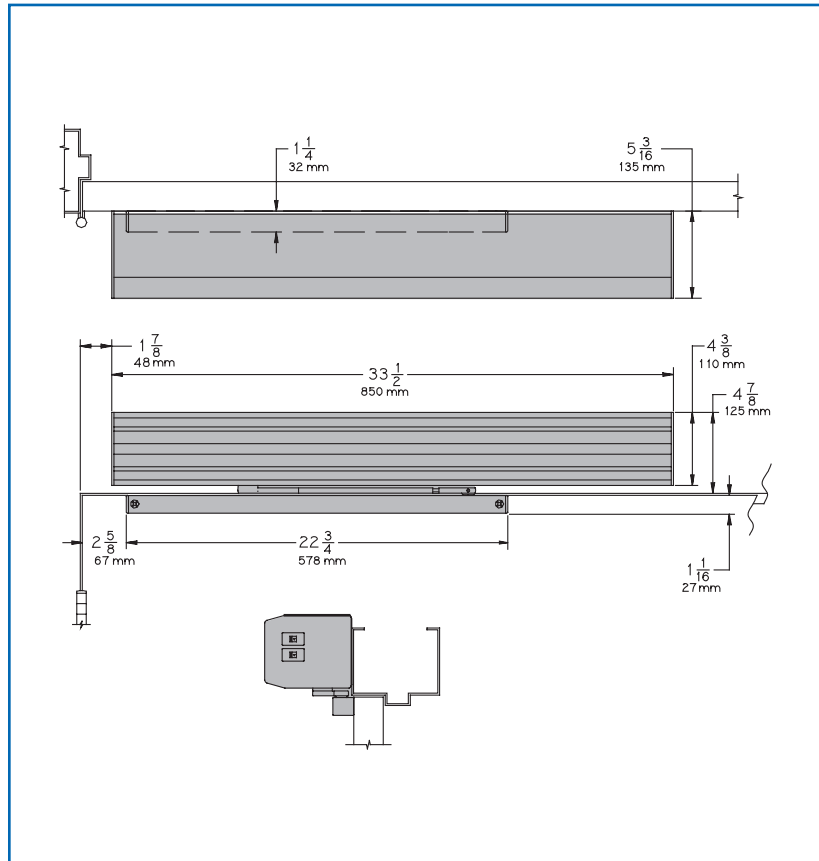
MOUNTING DETAILS

TOP JAMB (PULL SIDE) MOUNTING

MAXIMUM OPENING

Templating allows 90° power opening and 170° manual opening.

Consult factory for all pivot mounted installations.



- ▶ **Butt Hinges** should not exceed 5" (127 mm) in width.
- ▶ **Auxiliary Stop is recommended.**
- ▶ **Reveal** should not exceed 1/8" (3 mm).
- ▶ **Head Frame** minimum 2" (51 mm).
- ▶ **Top Rail** minimum 1 1/8" (29 mm).
- ▶ **Opening Time and Force** are variable by adjustments to the electronic control module located on the operator assembly. Maximum hold-open time adjustable up to approximately five minutes.
- ▶ **System Diagram** See "POWER OPERATORS" section page 9 for typical system wiring and pages 10-11 for electrical data.

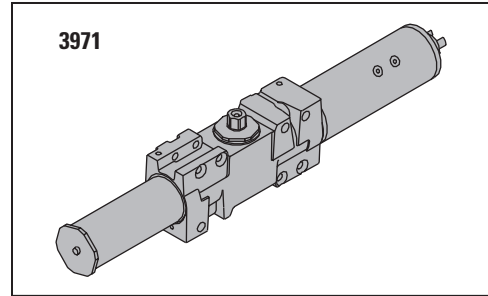
Special Templates

Customized installation templates or products may be available to solve unusual applications. Contact LCN for assistance.

CYLINDERS

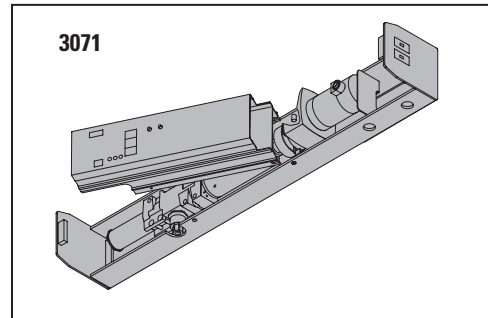
CYLINDER ONLY, 4631-3971

Standard, non-handed, cast iron cylinder.



CYLINDER ASSEMBLY, 4631-3071

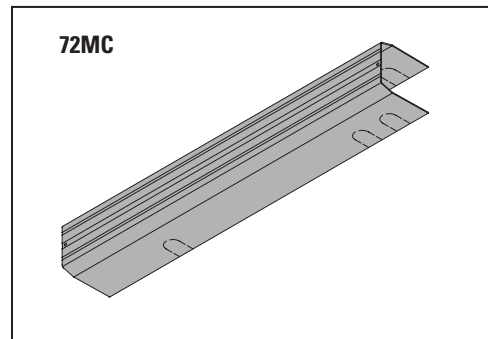
Standard, non-handed, cast iron cylinder and mounting plate. Includes; 4630-3454 Motor Clutch, 4630-3180 I/O Board Assembly and 4630-3462 Controller.



COVERS

COVER, 4630-72MC

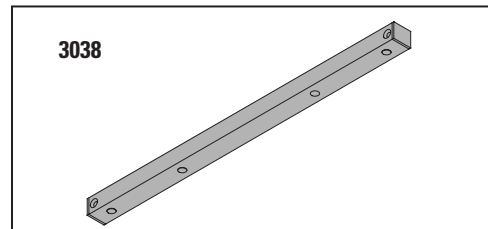
Standard, non-handed metal cover.



TRACKS

STANDARD TRACK, 4630-3038

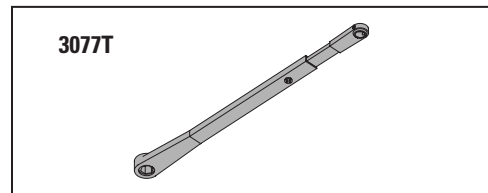
Standard non-handed track. Will not accept hold-open clip or bumper assembly.



ARMS

STANDARD ARM, 4630-3077T

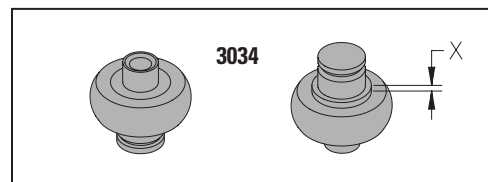
Non-handed arm. Track roller not included with arm.



INSTALLATION ACCESSORIES

TRACK ROLLER, 4630-3034

Quiet low friction roller assembly. Shoulder dimension "X" = 1/8" (3mm).



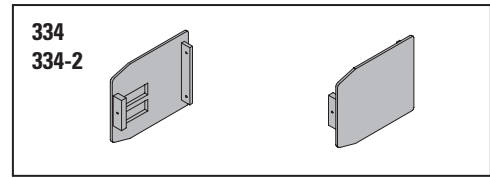
LCN 4630 SERIES

ACCESSORIES

INSTALLATION ACCESSORIES

SWITCH END CAP, 4630-334

End cap (black powder coat only) with cut outs for installing on/off and hold-open switches.

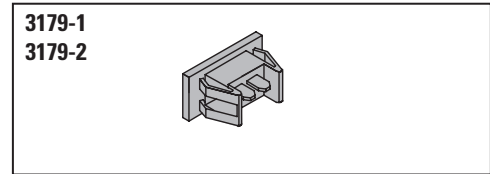


BLANK END CAP, 4630-334-2

Black powder coat only.

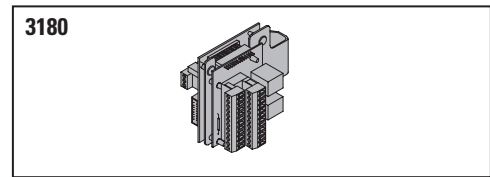
ON/OFF SWITCH ASSEMBLY, 4630-3179-1

Red rocker switch. Plugs into high voltage PC board.



HOLD-OPEN SWITCH ASSEMBLY, 4630-3179-2

Black rocker switch. Plug into low voltage PC board.

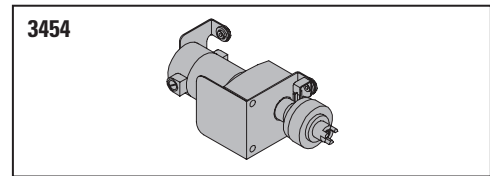


PC BOARD ASSEMBLY, 4630-3180

High and low voltage PC boards connected to mounting bracket.

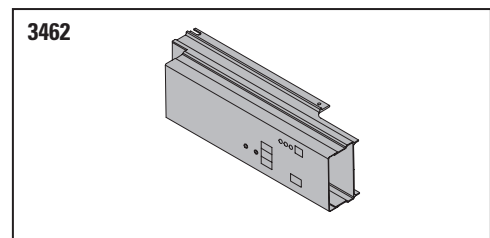
MOTOR/CLUTCH ASSEMBLY, 4630-3454

A geared assembly in an LCN power operator that incorporates a "no destruct" feature.



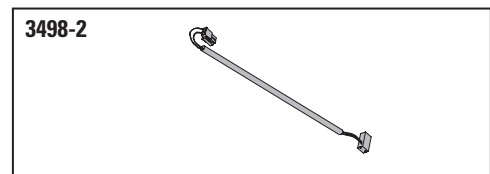
CONTROLLER ASSEMBLY, 4630-3462

Digital controller with built-in 12/24 VDC power supply. Programming and timing functions are adjusted on controller.



AC POWER CABLE, 4630-3498-2

2 wire cable to connect 120 VAC from PC board assembly to controller.



RIBBON CABLE CONNECTOR, 4630-3498-1

16 wire ribbon cable connecting 1-24 pin terminal connectors to controller.

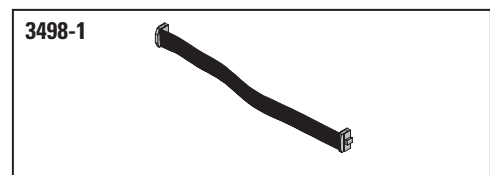


TABLE OF SIZES

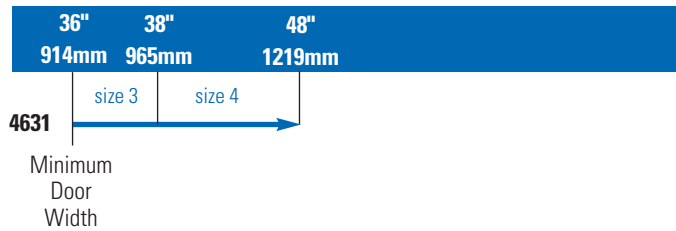
Non-Sized 4630 series cylinder is adjustable from size 1 through size 4 and is shipped set to size 3. Closing power of 4630 Series closers may be increased 50%.

→ Indicates recommended range of door width for closer size.
 Note: Minimum door width 36" (914 mm).

EXTERIOR (and VESTIBULE) DOOR WIDTH



INTERIOR DOOR WIDTH



HOW-TO-ORDER 4630 SERIES CLOSERS

1. SPECIFY FINISH.

- Standard Powder Coat _____
 Aluminum, Dark Bronze, Tan, Statuary,
 Light Bronze, Black, Brass.

Closer will be shipped with:

- STANDARD CYLINDER,
- STANDARD METAL COVER,
- STANDARD ARM,
- TRACK ROLLER,
- STANDARD TRACK and
- WOOD and MACHINE SCREW PACK,
unless options listed below are selected.

CLOSER OPTIONS

FINISH

- Custom Powder Coat (RAL) _____
- Plated Finish, US _____

SCREW PACK

- TB*, Wood & Machine Screw (TBWMS)
- TORX Machine Screw (TORX)
- TB* & TORX Machine Screw (TBTRX)

*Specify door thickness if other than 1 3/4".

SPECIAL TEMPLATE

- ST- _____

