

LCN 2610 SERIES "Auto-Equalizer"

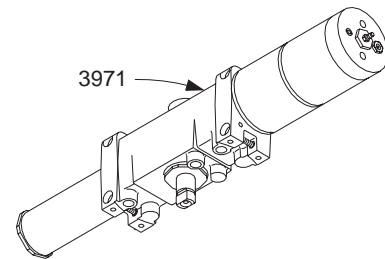
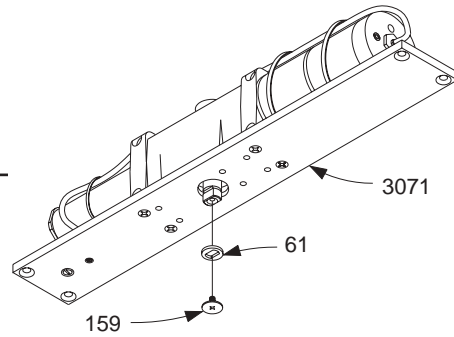
Cylinder Assemblies

2613(4)-3071 Cylinder Assembly F, S, H
*Includes cylinder mounting/finish plate & screw pack
(WMS standard – please specify other)
Cylinder assembly is size specific (not adjustable)*

Individual Cylinder Parts

Individual cylinder parts for 2613(4)-3071

2610-61 Shaft Spacer F
2610-159 Arm Screw F, H
2613(4)-3971 Cylinder Assembly Only F, S, H
*Does not include mounting/finish plate
Cylinder assembly is size specific (not adjustable)*



Please specify finish (**F**), size (**S**), hand (**H**), & voltage (**V**) where indicated. See the latest edition of the LCN Catalog for part descriptions and specifications on many of the items shown above. List prices for items shown above can be located in the current LCN Price List.

LCN 2610 SERIES "Auto-Equalizer"

Complete Arm Assemblies

2610-3077T Standard Arm F, H
Includes 2610-78, -82, -83H, -159, & -425

Individual Arm Parts

Individual arm parts for 2610-3077T

2610-61 Shaft Spacer
2610-78 Arm & Tube F, H
Includes 2610-159
2610-82 Rod F
Includes 2610-83H, & -425
2610-83H H Arm Screw F
2610-159 Arm Screw F
2610-425 Roller Locking Screw
2610-3034 Track Roller

Complete Track Assemblies

2610-3038 Standard Track
Length is 25 1/2" (647 mm)

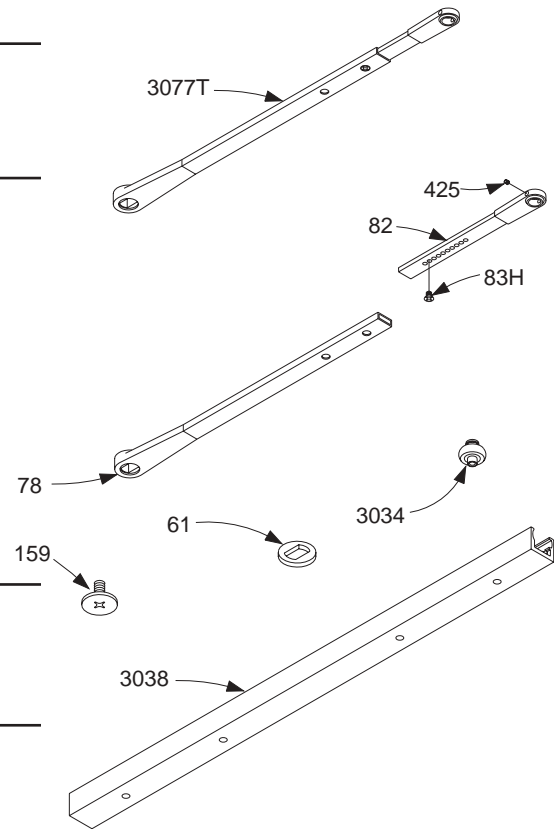
Individual Track Parts

Individual track parts for 2610-3038

2610-3034 Track Roller

Installations Accessories

2610-155-1 AE Door Decal
(Black/ Yellow Caution decal)
2610-155-2 Door Decal
(Blue/White Switch decal)



155-1



155-2

Please specify finish (F), size (S), hand (H), & voltage (V) where indicated. See the latest edition of the LCN Catalog for part descriptions and specifications on many of the items shown above. List prices for items shown above can be located in the current LCN Price List.