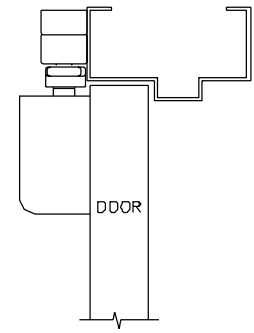
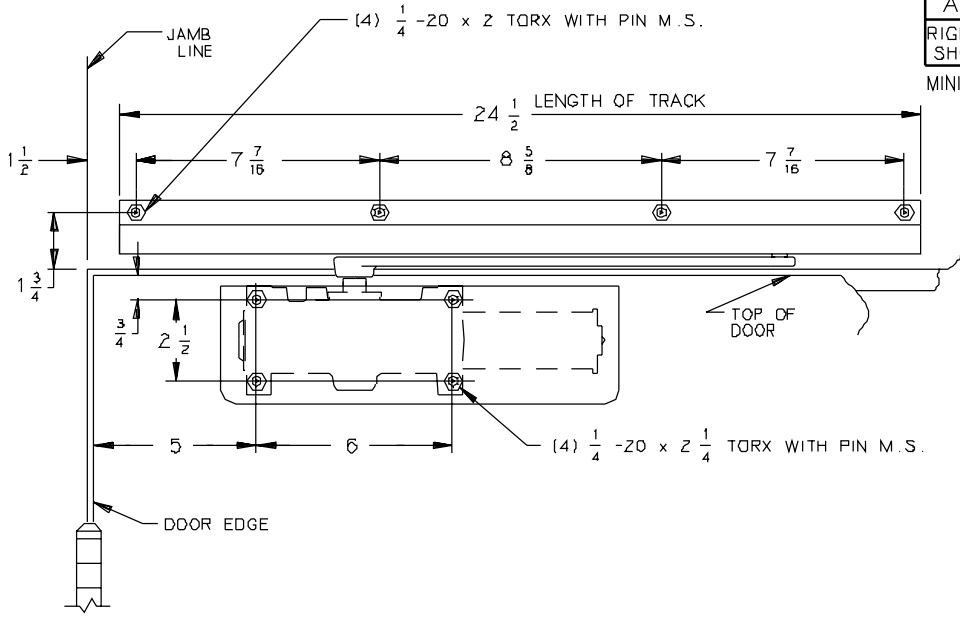


4511 T }
 4513 T } NON HOLD OPEN (UP TO 180°)
 4514 T }

AUXILIARY STOP RECOMMENDED

RIGHT HAND DOOR AND CLOSER SHOWN. LEFT HAND OPPOSITE 6/96

MINIMUM TOP RAIL 3 3/4".

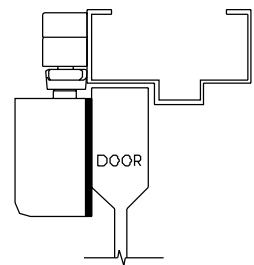
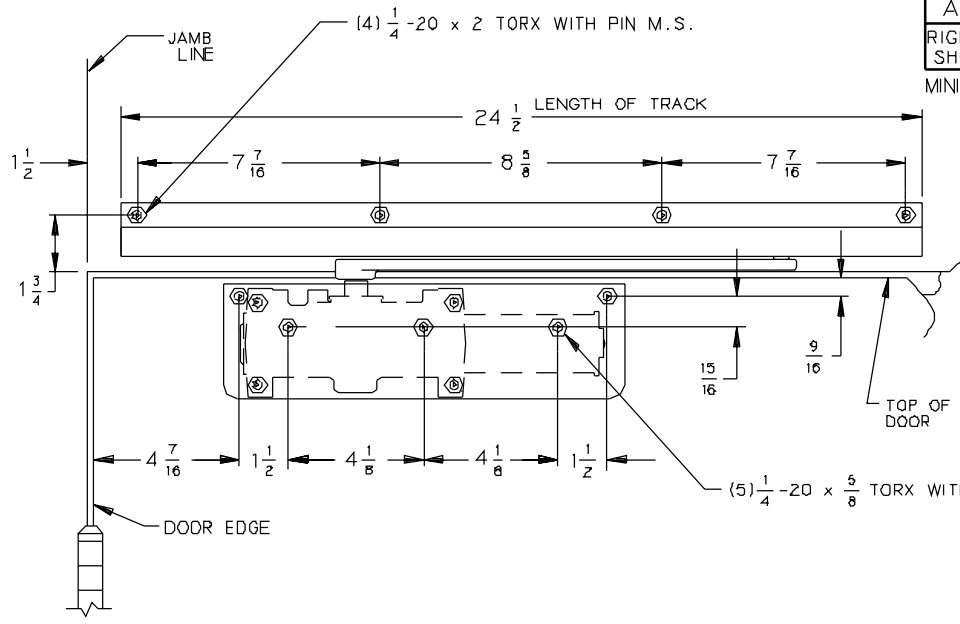


4511 T DP }
 4513 T DP } NON HOLD OPEN (UP TO 180°)
 4514 T DP }

AUXILIARY STOP RECOMMENDED

RIGHT HAND DOOR AND CLOSER SHOWN. LEFT HAND OPPOSITE 6/96

MINIMUM TOP RAIL 2".



- GENERAL NOTES-
1. CLOSER SIZE: 12 1/4 x 3 1/2 x 2 5/32 (2 3/8 WITH DROP PLATE).
 2. LOCATE CLOSER & TRACK FROM C OF PIVOT OR SWING CLEAR HINGE PIN IF USED.
 3. REINFORCING PER ANSI/SDI-100 RECOMMENDED FOR HOLLOW METAL DOORS AND FRAMES.
 4. TAMPER RESISTANT TORX MACHINE SCREWS SUPPLIED BY LCN
 5. MAXIMUM BUTT SIZE 5" x 5".

AUXILIARY STOP RECOMMENDED

INCH	1/4	9/16	5/8	3/4	15/16	1 1/2	1 3/4
M.M.	6	14	16	19	24	38	44
INCH	2	2 1/8	2 5/32	2 1/2	3 1/2	4	4 1/8
M.M.	51	54	55	64	89	102	105
INCH	4 7/16	5	6	7 7/16	8 5/8	12 1/4	12 3/8
M.M.	113	127	152	189	219	311	314
							622

No.	REVISION	BY	DATE		APP BY JEJ 6/96
2	TEMPLATE UPDATE	JEJ	6/96		DO NOT SCALE
3	TEMPLATE UPDATE	AMM	2/98		
				SECURITY CLOSER WITH TRACK (PULL SIDE MOUNTED) ON DOOR OR DROP PLATE	
					4510 T