

LCN 4510 SERIES "Smoothee"

Cylinder Assemblies

4511(2-6)-3071	Cylinder Assembly	F, S, H
	<i>Includes TORX screw pack</i>	
	<i>Size '1' cylinder is adjustable from size 1-5</i>	
4511(2-6)-3071AVB	Cylinder Assembly w/AVB	F, S, H
	<i>Includes TORX screw pack</i>	
	<i>Size '1' cylinder is adjustable from size 1-5</i>	
4511(2-5)-3071DEL	Cylinder Assembly w/Delay	F, S, H
	<i>Includes TORX screw pack</i>	
	<i>Size '1' cylinder is adjustable from size 1-5</i>	

Individual Cylinder Parts

Individual cylinder parts for 4510-3071

4510-159	Arm Screw	F
	<i>Requires TORX bit (T-27)</i>	

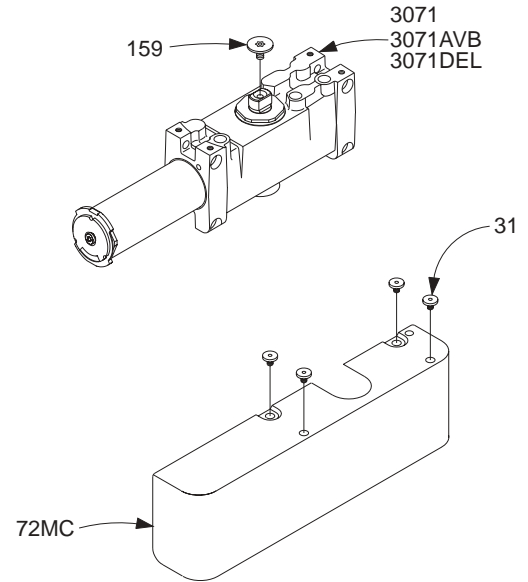
Covers

4510-72MC	Metal Cover	F, H
	<i>Includes 4510-31 (4)</i>	

Individual Cover Parts

Individual cover parts for 4510-72MC

4510-31	Cover Screw	F
	<i>Requires TORX bit (T-25)</i>	



Please specify finish (**F**), size (**S**), hand (**H**), & voltage (**V**) where indicated. See the latest edition of the LCN Catalog for part descriptions and specifications on many of the items shown above. List prices for items shown above can be located in the current LCN Price List.

LCN 4510 SERIES "Smoothee"

Complete Arm Assemblies

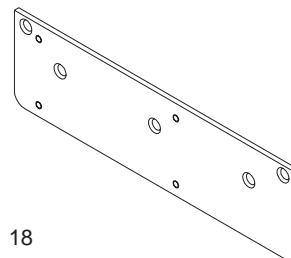
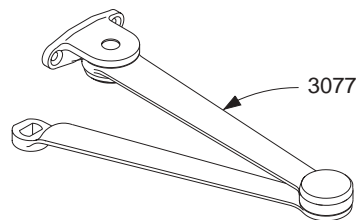
4510-3077EDA	Extra Duty Arm <i>Includes 4510-159</i>	F
--------------	--	---

Individual Arm Parts

Individual arm parts for 4510-3077		
4510-159	Arm Screw <i>Requires TORX bit (T-27)</i>	F

Mounting Plates

4510-18	Mounting Plate	F
---------	----------------	---



Please specify finish (**F**), size (**S**), hand (**H**), & voltage (**V**) where indicated. See the latest edition of the LCN Catalog for part descriptions and specifications on many of the items shown above. List prices for items shown above can be located in the current LCN Price List.