

LCN 4510T SERIES "Smoothee"

Cylinder Assemblies

4511(3-4)T-3071	Cylinder Assembly	F, S, H
	<i>Includes TORX screw pack</i>	
	<i>Cylinder assembly is size specific (not adjustable)</i>	
4511(3-4)T-3071AVB	Cylinder Assembly w/AVB	F, S, H
	<i>Includes TORX screw pack</i>	
	<i>Cylinder assembly is size specific (not adjustable)</i>	

Individual Cylinder Parts

Individual cylinder parts for 4510T-3071

4510T-159	Arm Screw	F
	<i>Requires TORX bit (T-27)</i>	

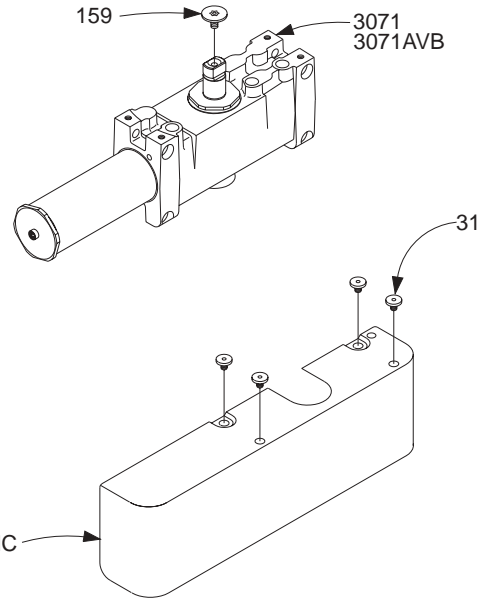
Covers

4510T-72MC	Metal Cover	F, H
	<i>Includes 4510-31 (2)</i>	

Individual Cover Parts

Individual cover parts for 4510T-72MC

4510T-31	Cover Screw	F
	<i>Requires TORX bit (T-25)</i>	



Please specify finish (**F**), size (**S**), hand (**H**), & voltage (**V**) where indicated. See the latest edition of the LCN Catalog for part descriptions and specifications on many of the items shown above. List prices for items shown above can be located in the current LCN Price List.

LCN 4510T SERIES "Smoothee"

Complete Arm Assemblies

4510T-3077T Standard Arm F, H
Includes 4510T-159 & -3034

Individual Arm Parts

Individual arm parts for 4510T-3071

4510T-159 Arm Screw F
Requires TORX bit (T-27)

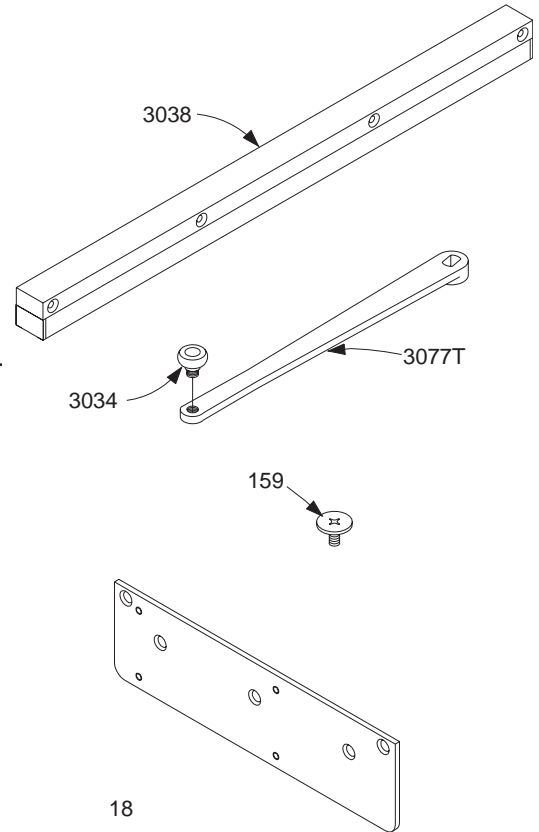
4510T-3034 Track Roller
Special "High Security" threaded roller

Complete Track Assemblies

4510T-3038 Standard Track F

Mounting Plate

4510T-18 Mounting Plate F



Please specify finish (F), size (S), hand (H), & voltage (V) where indicated. See the latest edition of the LCN Catalog for part descriptions and specifications on many of the items shown above. List prices for items shown above can be located in the current LCN Price List.