

LCN 4210 SERIES "Smoothee"

Cylinder Assemblies

4211(2-6)-3071	Cylinder Assembly	F, S, H
	<i>Includes TORX screw pack</i>	
	<i>Size '1' cylinder is adjustable from size 1-5</i>	
4211(2-6)-3071AVB	Cylinder Assembly w/AVB	F, S, H
	<i>Includes TORX screw pack</i>	
	<i>Size '1' cylinder is adjustable from size 1-5</i>	
4211(2-4)-3071DEL	Cylinder Assembly w/Delay	F, S, H
	<i>Includes TORX screw pack</i>	
	<i>Size '1' cylinder is adjustable from size 1-4</i>	

Individual Cylinder Parts

Individual cylinder parts for 4210-3071

4210-159	Arm Screw	F
	<i>Requires TORX bit (T-27)</i>	

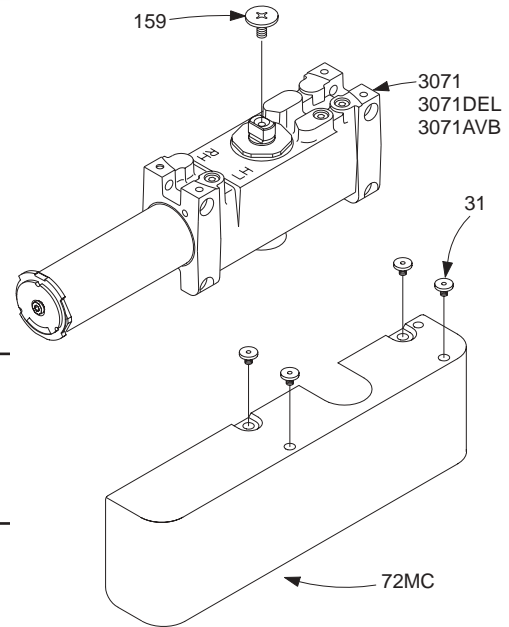
Covers

4210-72MC	Metal Cover	F, H
	<i>Includes 4210-31 (4)</i>	

Individual Cover Parts

Individual cover parts for 4210-72MC

4210-31	Cover Screw	F
	<i>Requires TORX bit (T-25)</i>	

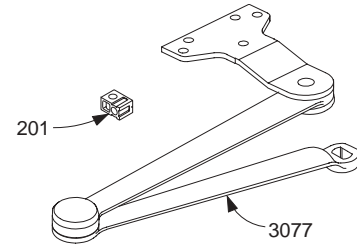


Please specify finish (**F**), size (**S**), hand (**H**), & voltage (**V**) where indicated. See the latest edition of the LCN Catalog for part descriptions and specifications on many of the items shown above. List prices for items shown above can be located in the current LCN Price List.

LCN 4210 SERIES "Smoothee"

Complete Arm Assemblies

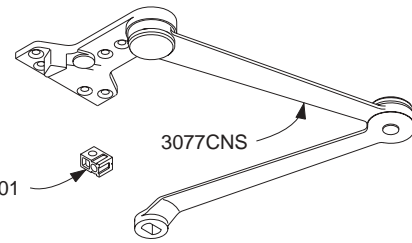
4210-3077EDA	Extra Duty Arm	F
	<i>Includes 4210 -159, & -201</i>	
4210-3077CNS	Cush-n-Stop Arm	F, H
	<i>Includes 4210 -159, & -201</i>	
4210-3049CNS	Hold-Open Cush-n-Stop Arm	F, H
	<i>Includes 4210 -159, & -201</i>	



Individual Arm Parts

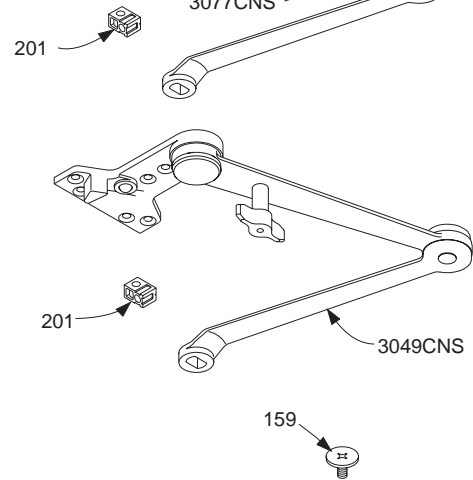
Individual arm parts for 4210-3077EDA

4210-159	Arm Screw	F
	<i>Requires TORX bit (T-27)</i>	
4210-201	Fifth Screw Spacer	



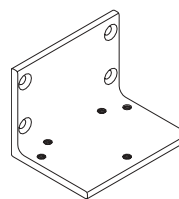
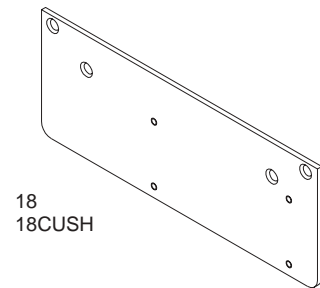
Mounting Plates

4210-18	Mounting Plate	F
4210-18CUSH	Mounting Plate	F

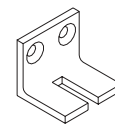


Installation Accessories

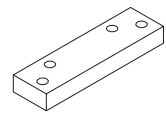
4210-30	Cush Shoe Support	F
4210-61	Blade Stop Spacer	F
4210-419	Flush Panel Adapter	F



419



30



61

Please specify finish (F), size (S), hand (H), & voltage (V) where indicated. See the latest edition of the LCN Catalog for part descriptions and specifications on many of the items shown above. List prices for items shown above can be located in the current LCN Price List.