

LCN 4210T SERIES "Smoothee"

Cylinder Assemblies

4211(3-4)T-3071	Cylinder Assembly	F, S, H
	<i>Includes TORX screw pack</i>	
	<i>Cylinder assembly is size specific (not adjustable)</i>	
4211(3-4)T-3071AVB	Cylinder Assembly w/AVB	F, S, H
	<i>Includes TORX screw pack</i>	
	<i>Cylinder assembly is size specific (not adjustable)</i>	

Individual Cylinder Parts

Individual cylinder parts for 4210T-3071

4210T-159	Arm Screw	F
	<i>Requires TORX bit (T-27)</i>	

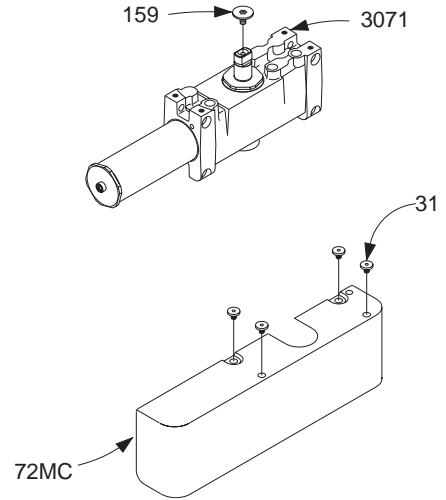
Covers

4210T-72MC	Metal Cover	F, H
	<i>Includes 4210T-31 (4)</i>	

Individual Cover Parts

Individual cover parts for 4210T-72MC

4210T-31	Cover Screw	F
----------	-------------	---



Please specify finish (**F**), size (**S**), hand (**H**), & voltage (**V**) where indicated. See the latest edition of the LCN Catalog for part descriptions and specifications on many of the items shown above. List prices for items shown above can be located in the current LCN Price List.

LCN 4210T SERIES "Smoothee"

Complete Arm

Assemblies		
4210T-3077T	Standard Arm <i>Includes 4210T-159, & -3034</i>	F, H

Individual Arm Parts

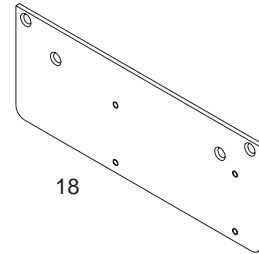
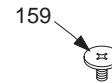
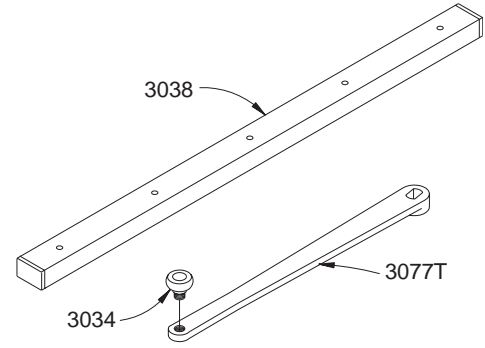
Individual arm parts for 4210T-3077T		
4210T-159	Arm Screw <i>Requires TORX bit (T-27)</i>	F
4210T-3034	Track Roller <i>Special "High Security" threaded roller</i>	

Complete Track Assemblies

4210T-3038	Standard Track	F
------------	----------------	---

Mounting Plate

4210T-18	Mounting Plate	F
----------	----------------	---



Please specify finish (**F**), size (**S**), hand (**H**), & voltage (**V**) where indicated. See the latest edition of the LCN Catalog for part descriptions and specifications on many of the items shown above. List prices for items shown above can be located in the current LCN Price List.