

Cylinder Assemblies

2211(3-5)-3071	Cylinder Assembly	F, S, H
	<i>Includes cylinder mounting/finish plate</i>	
	<i>'TORX' screw pack standard</i>	
	<i>Cylinder assembly is size specific (Size 1 is not adjustable)</i>	
	<i>(Sizes 3, 4, & 5 are field adjustable from size 3 through size 5. Factory adjusts the spring power to the size specified.)</i>	
2211(3-5)-3071AVB	Cylinder Assembly w/ AVB	F, S, H
	<i>Includes cylinder mounting/finish plate</i>	
	<i>'TORX' screw pack standard</i>	
	<i>Cylinder assembly is size specific (Size 1 is not adjustable)</i>	
	<i>(Sizes 3, 4, & 5 are field adjustable from size 3 through size 5. Factory adjusts the spring power to the size specified.)</i>	

Individual Cylinder Parts

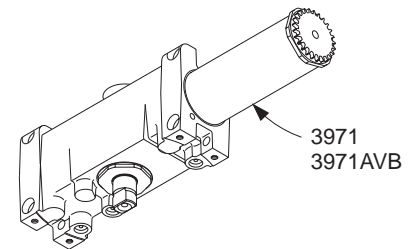
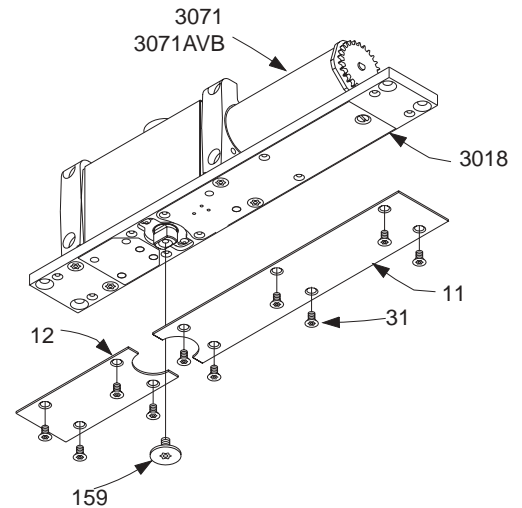
2211(3-5)-3971	Cylinder Only	F, S, H
	<i>Cylinder assembly is size specific (Size 1 is not adjustable)</i>	
	<i>(Sizes 3, 4, & 5 are field adjustable from size 3 through size 5. Factory adjusts the spring power to the size specified.)</i>	
2211(3-5)-3971AVB	Cylinder Only	F, S, H
	<i>Cylinder assembly is size specific (Size 1 is not adjustable)</i>	
	<i>(Sizes 3, 4, & 5 are field adjustable from size 3 through size 5. Factory adjusts the spring power to the size specified.)</i>	
2210-159	Arm Screw	F
	<i>Requires TORX bit (T-27)</i>	
2210-3018	Mounting Plate Assembly	F

Finish Plate Assemblies

2210-72	Finish Plate Set	F
	<i>Includes 2210-11, -12, & -31 (10)</i>	

Individual Finish Plate Parts

2210-11	Long Finish Plate	F
	<i>Includes 2210-31 (6)</i>	
2210-12	Short Finish Plate	F
	<i>Includes 2210-31 (4)</i>	
2210-31	Finish Plate Screw	F
	<i>Requires TORX bit (T-15)</i>	



Please specify finish (F), size (S), hand (H), & voltage (V) where indicated. See the latest edition of the LCN Catalog for part descriptions and specifications on many of the items shown above. List prices for items shown above can be located in the current LCN Price List.

LCN 2210 SERIES

Complete Arm Assemblies

2210-3077T Standard Arm F, H
Includes 2210-159 & -3034
Requires TORX bit (T-27)

Individual Arm Parts

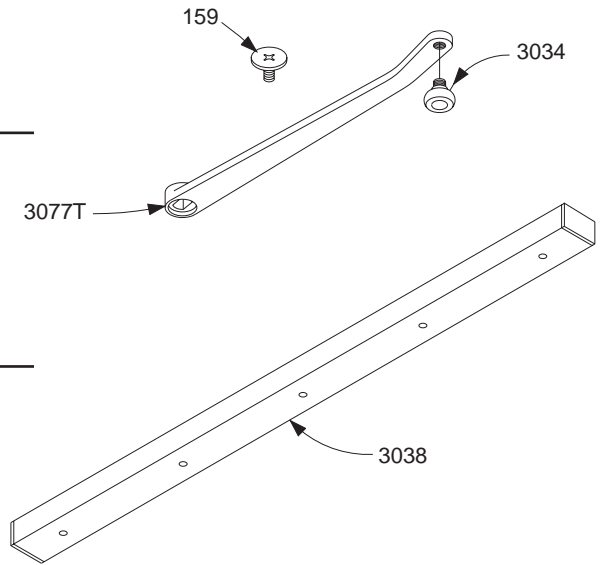
Individual arm parts for 2210-3077T

2210-159 Arm Screw F
Requires TORX bit (T-27)

2210-3034 Track Roller
Special 'High Security' threaded roller

Complete Track Assemblies

2210-3038 Standard Track F
Requires TORX bit (T-27)



Please specify finish (F), size (S), hand (H), & voltage (V) where indicated. See the latest edition of the LCN Catalog for part descriptions and specifications on many of the items shown above. List prices for items shown above can be located in the current LCN Price List.