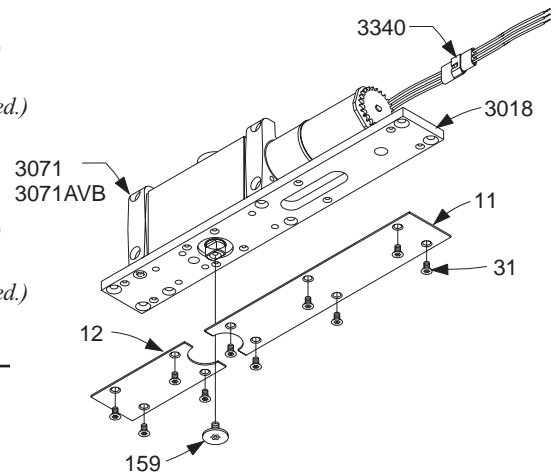


Cylinder Assemblies

- 2211(3-5)DPS-3071 Cylinder Assembly w/DPS F, S, H
Includes cylinder mounting/finish plate
'TORX' screw pack standard
Cylinder assembly is size specific (Size 1 is not adjustable)
(Sizes 3, 4, & 5 are field adjustable from size 3 through size 5. Factory adjusts the spring power to the size specified.)
- 2211(3-5)DPS-3071AVB Cylinder Assy w/DPS & AVB F, S, H
Includes cylinder mounting/finish plate
'TORX' screw pack standard
Cylinder assembly is size specific (Size 1 is not adjustable)
(Sizes 3, 4, & 5 are field adjustable from size 3 through size 5. Factory adjusts the spring power to the size specified.)



Individual Cylinder Parts

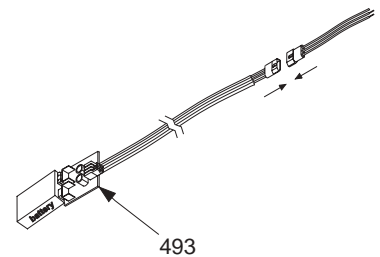
- 2210DPS-159 Arm Screw F
Requires TORX bit (T-27)
- 2210DPS-493 DPS Test Kit
- 2210DPS-3018 Mounting Plate Assembly F
- 2210DPS-3340 Wire Harness

Finish Plate Assemblies

- 2210DPS-72 Finish Plate Set F
Includes 2210DPS-11, -12, & -31 (10)

Individual Finish Plate Parts

- 2210DPS-11 Long Finish Plate F
Includes 2210DPS-31 (6)
- 2210DPS-12 Short Finish Plate F
Includes 2210DPS-31 (4)
- 2210DPS-31 Finish Plate Screw F
Requires TORX bit (T-15)



Please specify finish (F), size (S), hand (H), & voltage (V) where indicated. See the latest edition of the LCN Catalog for part descriptions and specifications on many of the items shown above. List prices for items shown above can be located in the current LCN Price List.

LCN 2210DPS SERIES

Complete Arm Assemblies

2210DPS-3077T	Standard Arm	F, H
	<i>Includes 2210DPS-159 & -3034</i>	
	<i>Requires TORX bit (T-27)</i>	

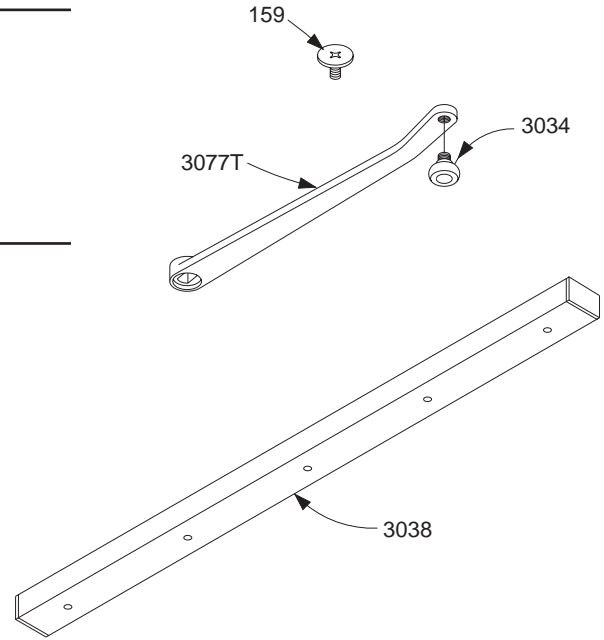
Individual Arm Parts

Individual arm parts for 2210DPS-3077T

2210DPS-159	Arm Screw	F
	<i>Requires TORX bit (T-27)</i>	
2210DPS-3034	Track Roller	
	<i>Special "High Security" threaded roller</i>	

Complete Track Assemblies

2210DPS-3038	Standard Track	F
	<i>Requires TORX bit (T-27)</i>	



Please specify finish (**F**), size (**S**), hand (**H**), & voltage (**V**) where indicated. See the latest edition of the LCN Catalog for part descriptions and specifications on many of the items shown above. List prices for items shown above can be located in the current LCN Price List.