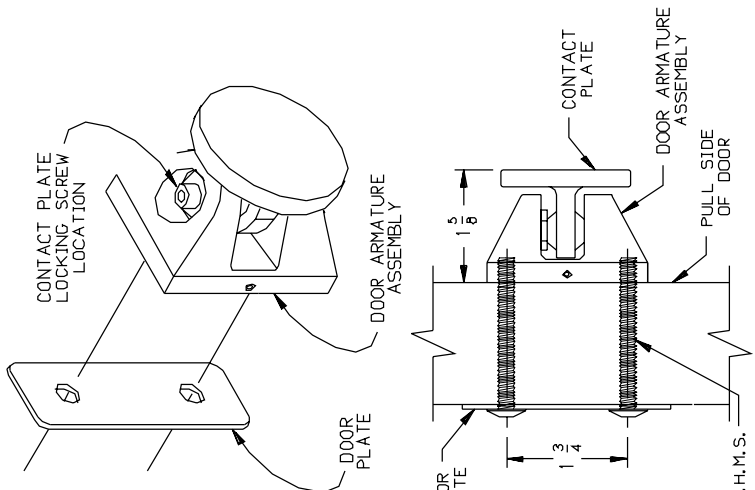


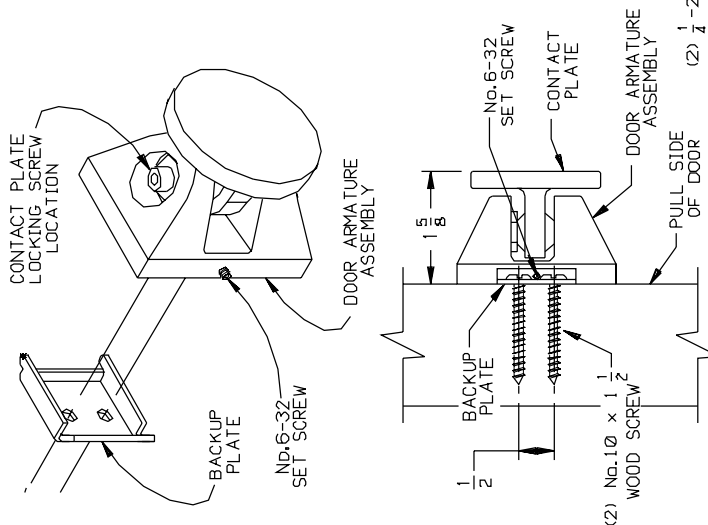
THROUGH BOLT MOUNTING

RECOMMENDED FOR
HOLLOW METAL HOLLOW CORE
OR COMPOSITE TYPE WOOD DOORS

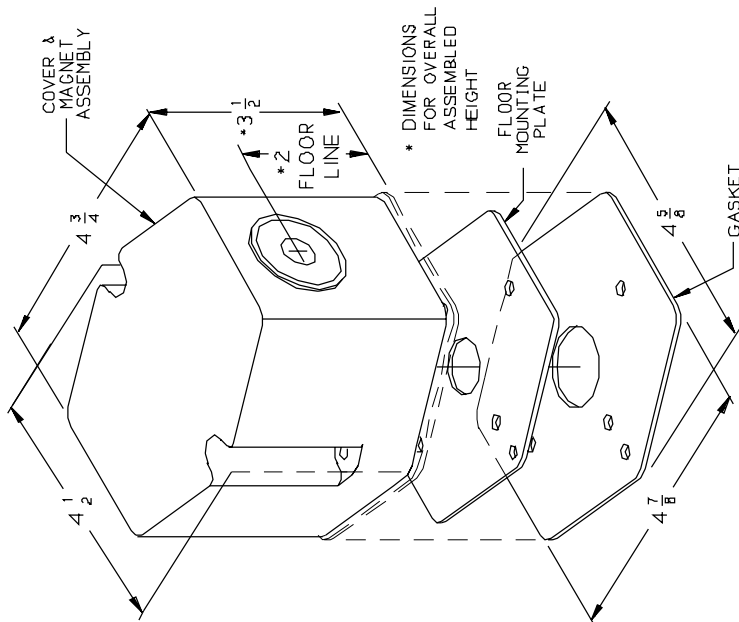


WOOD SCREW MOUNTING
FOR SOLID WOOD CORE DOORS

THIS VIEW SHOWS THE CONTACT
PLATE LOCKING SCREW ACCESSIBLE
FROM THE TOP. ROTATE BACKUP
PLATE 180° FOR UNDERSIDE ACCESS.



FLOOR PORTION



GENERAL NOTES:

1. POWER/CURRENT SPECIFICATIONS: 24 VOLT AC OR DC - .110 Amp.
OR 120 VOLT AC - .02 AMP.
- IMPORTANT - CHECK EXISTING LINE VOLTAGE AGAINST
VOLTAGE SHOWN ON FLOOR MOUNTING PLATE BEFORE INSTALLATION.
2. MAXIMUM CONDUIT SIZE IS 1/2" AND IS CONCEALED IN THE FLOOR.
3. SUGGESTED LOCATION OF FLOOR PORTION, LOCATION SHOULD ALLOW DOOR PORTION TO BE
INSTALLED ON THE PULL SIDE OF DOOR ON BOTTOM RAIL APPROX. 6" FROM LOCK EDGE OF DOOR.
ANCHOR FLOOR PLATE AND GASKET TO WITHSTAND A MINIMUM 50 LBS PULL.
4. MOUNT FLOOR PORTION FIRST. THEN MOUNT DOOR PORTION USING MARKING TRANSFER POINTS.
5. DOOR CLOSING MECHANISM SHOULD HAVE A 3 LB. MIN. CLOSING FORCE AT THE DEGREE OF
DOOR OPENING WHERE DOOR ARMATURE AND ELECTROMAGNET ENGAGE.
6. CONSULT FACTORY FOR WIRING INSTRUCTIONS.

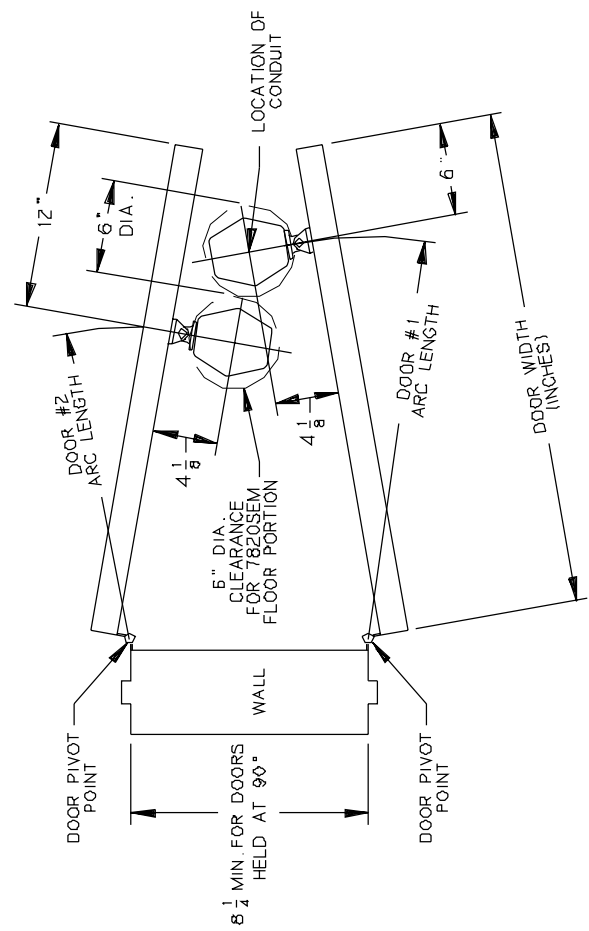
INCH	1/4	1/2	1 1/2	1 5/8	1 3/4	2	2 3/16	3 1/2
M.M.	6	13	38	41	44	51	56	89
INCH	4 1/8	4 1/2	4 5/8	4 3/4	4 7/8	6	8 1/4	12
M.M.	105	114	117	121	124	152	210	305

No.	REVISION	BY DATE	APP BY
1	REDRAWN ON CAD	JEA 2/28/02	JTA 1/97
LCN®			DO NOT SCALE
SENTRONIC® ELECTRO-MAGNETIC DOOR HOLDER			
7820 SEM			

CONDUIT LOCATING INSTRUCTIONS

SENTRONIC® ELECTRO-MAGNETIC
DOOR HOLDER
7820 SEM — SINGLE DOOR INSTALLATION
— TWO DOORS BACK TO BACK

TWO DOORS BACK TO BACK
USING (2) MODEL 7820 SEM UNITS



- INFORMATION REQUIRED:
1. DETERMINE DOOR WIDTH (INCHES).
 2. DETERMINE MAXIMUM DEGREE OF DOOR OPENING PERMITTED BY THE DOOR CLOSER. MAXIMUM DEGREE OF DOOR OPENING IS 130°.

TO LOCATE CONDUIT:

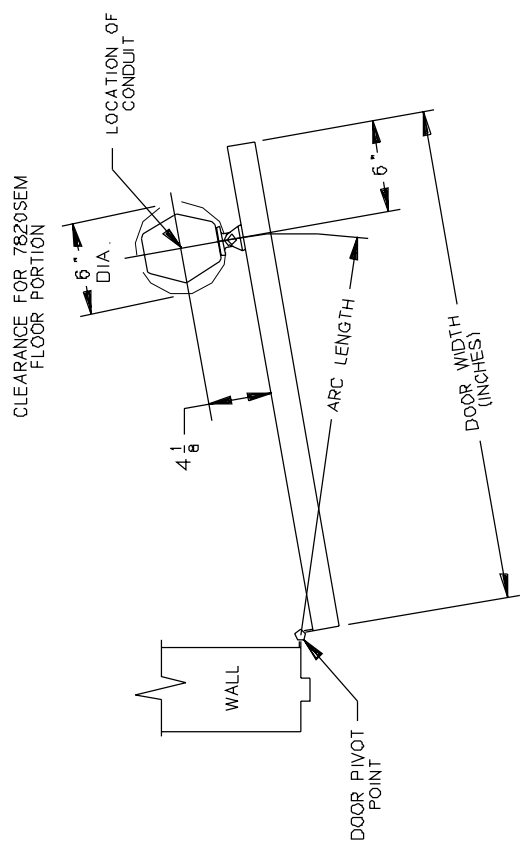
EXAMPLE:

TO DETERMINE "ARC LENGTHS" OF 3"Ø" DOORS:

DOOR No.1 _____ 36"
WIDTH OF DOOR (INCHES) _____
MINUS _____ - 6"
DOOR No.1 ARC LENGTH _____ 30"
DOOR No.2 _____
WIDTH OF DOOR (INCHES) _____ 36"
MINUS _____ - 12"
DOOR No.2 ARC LENGTH _____ 24"

2. DETERMINE MAXIMUM DEGREE OF DESIRED DOOR OPENING. ALLOW A 6 INCH DIA. CLEARANCE AROUND CONDUIT FOR 7820SEM FLOOR PORTION (SEE DRAWING ABOVE).
3. CONDUIT WILL BE LOCATED ON AN ARC AND 4 1/8" FROM THE PULL SIDE OF DOOR, WHEN DOOR IS AT THE MAXIMUM DEGREE OF DOOR OPENING.

SINGLE DOOR INSTALLATION



- INFORMATION REQUIRED:
1. DETERMINE DOOR WIDTH (INCHES).
 2. DETERMINE MAXIMUM DEGREE OF DOOR OPENING PERMITTED BY DOOR CLOSER, TRIM, AND PARTITION.

TO LOCATE CONDUIT:

EXAMPLE:

TO DETERMINE "ARC LENGTH" OF A 3"Ø" DOOR:

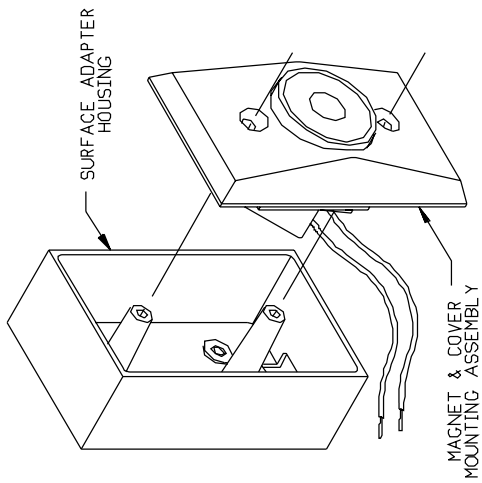
WIDTH OF DOOR (INCHES) _____ 36"
MINUS _____ - 6"
ARC LENGTH = _____ 30"

2. DETERMINE MAXIMUM DEGREE OF DESIRED DOOR OPENING (CLOSER TRIM, OR PARTITION PERMITTING). ALLOW A 6 INCH DIA. CLEARANCE AROUND CONDUIT AND ANY PARTITION FOR "FLOOR PORTION" (SEE DRAWING ABOVE).
3. CONDUIT WILL BE LOCATED ON AN ARC AND 4 1/8" FROM THE PULL SIDE OF DOOR, WHEN DOOR IS AT THE MAXIMUM DEGREE OF DOOR OPENING.

No.	REVISION	BY DATE	APP BY
1.	REDRAWN ON 040	JEJ 2/22/91	JTA 1/97
			DO NOT SCALE
			SENTRONIC® ELECTRO-MAGNETIC DOOR HOLDER
			7820 SEM

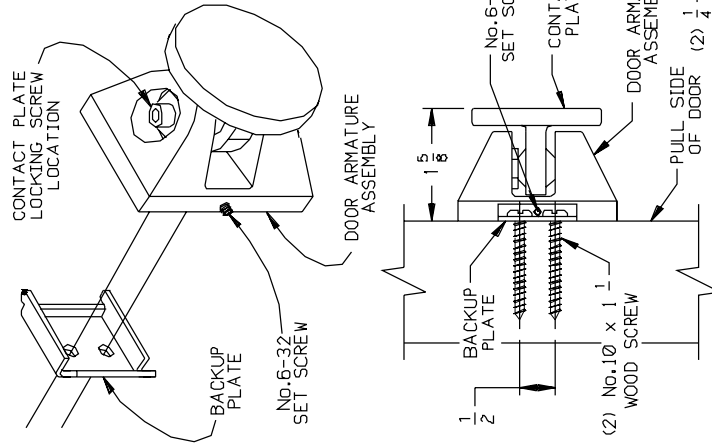
SENTRONIC® ELECTRO-MAGNETIC DOOR HOLDER
7830 SEM WOOD SCREW MOUNTING & THROUGH BOLT MOUNTING

WALL PORTION



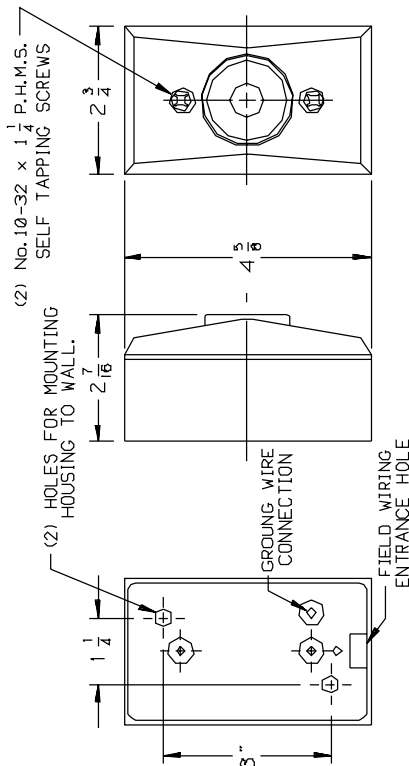
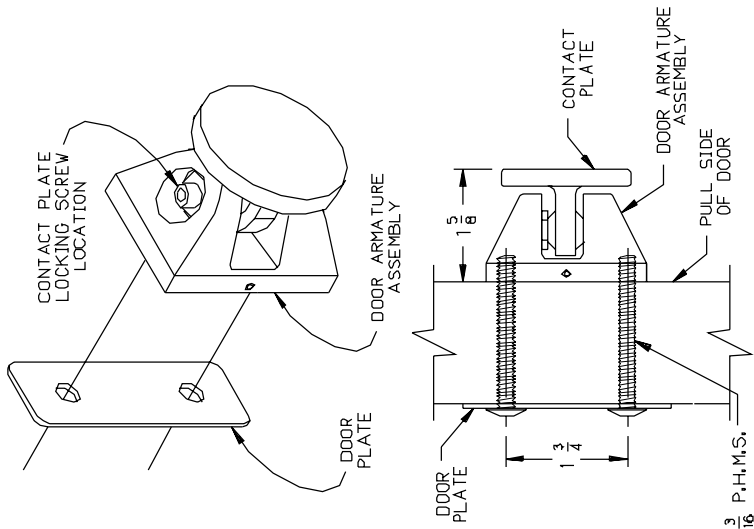
WOOD SCREW MOUNTING FOR SOLID WOOD CORE DOORS

THIS VIEW SHOWS THE CONTACT PLATE LOCKING SCREW ACCESSIBLE FROM THE TOP. ROTATE BACKUP PLATE 180° FOR UNDERSIDE ACCESS.



THROUGH BOLT MOUNTING

RECOMMENDED FOR HOLLOW METAL, HOLLOW CORE OR COMPOSITE TYPE WOOD DOORS



CAUTION:

MOUNTING OF SURFACE ADAPTER HOUSING SHOULD BE REINFORCED TO WITHSTAND SHOCK OF DOOR OPENING. FAILURE TO DO SO WILL CAUSE BOX ANCHORS TO WORK LOOSE.

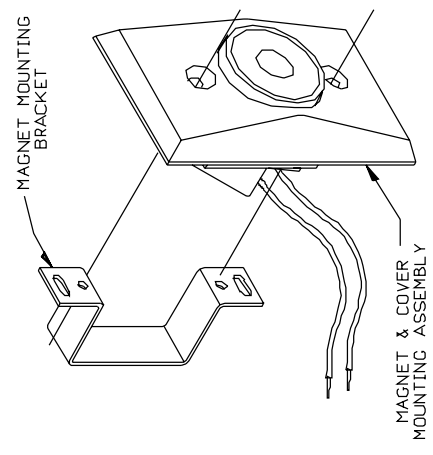
GENERAL NOTES:

1. TOTAL PROJECTION : 4 1/16" (INCLUDES ELECTROMAGNET AND ARMATURE ASSEMBLY).
2. POWER/CURRENT SPECIFICATIONS: 24 VOLT AC OR DC - .110 AMP. OR 120 VOLT AC - .02 AMP.
3. IMPORTANT - CHECK EXISTING LINE VOLTAGE AGAINST VOLTAGE SHOWN ON BACKSIDE OF MAGNET MOUNTING BRACKET ASSEMBLY BEFORE INSTALLATION.
4. SEE STEP 1 ON REVERSE SIDE FOR SURFACE ADAPTER LOCATION. ANCHOR SURFACE ADAPTER TO WITHSTAND A MINIMUM 50 LB PULL. OUTLET BOX SHOWN INSTALLED IN A VERTICAL POSITION.
5. DOOR CLOSING MECHANISM SHOULD HAVE A 3 LB. MIN. CLOSING FORCE AT THE DEGREE OF DOOR OPENING WHERE DOOR ARMATURE AND ELECTROMAGNET ENGAGE.
6. DOOR HARDWARE MUST NOT PROJECT MORE THAN 4 1/16" ON PULL SIDE OF DOOR.

INCH	3/16	1/4	5/16	3/8	1/2	5/8	3/4	7/8	1	1 1/8	1 1/4	1 3/8	1 1/2	1 5/8	1 3/4	1 7/8	2	2 1/8	2 1/4	2 3/8	2 1/2	2 5/8	3	3 1/8	3 1/4	3 3/8	3 1/2	3 5/8	4	4 1/8	4 1/4	4 3/8	4 1/2		
M.M.	5	6	13	32	38	41	44	56	62	70	76	103	117	127	141	152	165	178	191	204	217	230	243	256	270	283	297	310	324	337	351	364	378	391	405

No.	REVISION	BY	DATE	APP	BY	DATE
1	REVISION ON CAD	JEJ	3/7/93	LCN®	JTA	1/97
				DO NOT SCALE		
				SENTRONIC® ELECTRO-MAGNETIC DOOR HOLDER		
				7830 SEM		

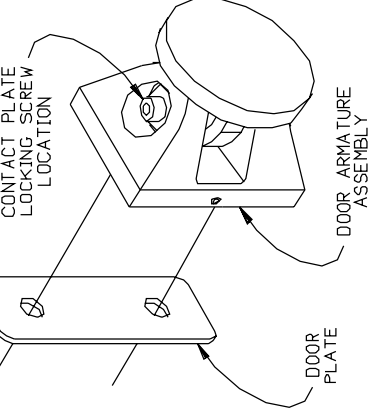
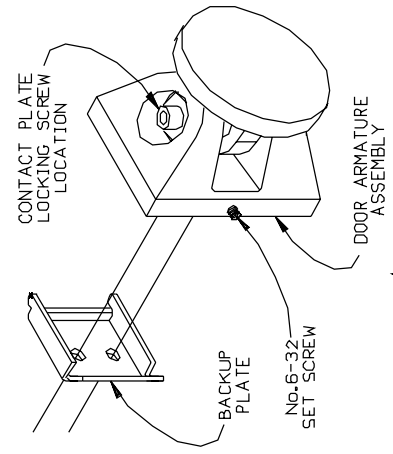
WALL PORTION



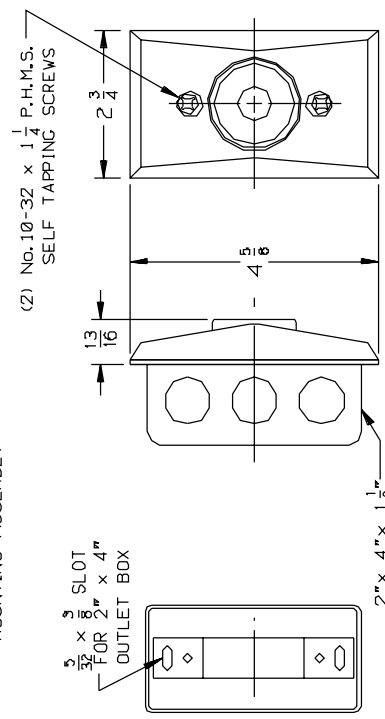
MAGNET & COVER
MOUNTING ASSEMBLY

WOOD SCREW MOUNTING
FOR SOLID WOOD CORE DOORS

THIS VIEW SHOWS THE CONTACT
PLATE LOCKING SCREW ACCESSIBLE
FROM THE TOP, ROTATE BACKUP
PLATE 180° FOR UNDERSIDE ACCESS.



THROUGH BOLT MOUNTING
RECOMMENDED FOR
HOLLOW METAL, HOLLOW CORE
OR COMPOSITE TYPE WOOD DOORS



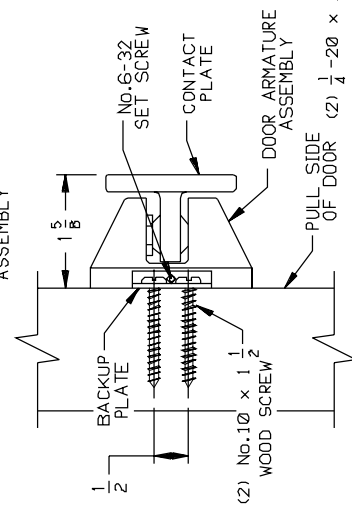
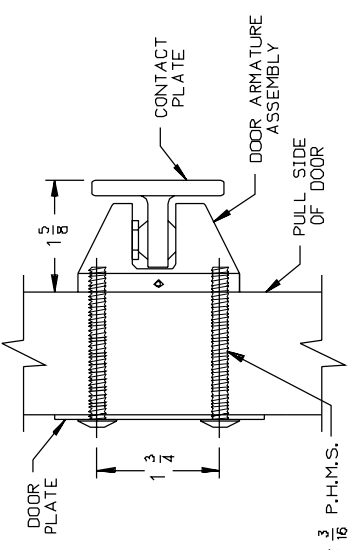
(2) No. 10-32 x 1 1/4 P.H.M.S.
SELF TAPPING SCREWS

5/32 x 5/8 SLOT
FOR 2" x 4"
OUTLET BOX

CAUTION:
MOUNTING OF OUTLET BOX SHOULD BE REINFORCED TO WITHSTAND SHOCK
OF DOOR OPENING. FAILURE TO DO SO WILL CAUSE BOX ANCHORS TO WORK LOOSE.

GENERAL NOTES:

1. TOTAL PROJECTION : 2 7/16" (INCLUDES ELECTROMAGNET AND ARMATURE ASSEMBLY).
2. POWER/CURRENT SPECIFICATIONS: 24 VOLT AC OR DC - .110 AMP.
OR 120 VOLT AC - .02 AMP.
- IMPORTANT - CHECK EXISTING LINE VOLTAGE AGAINST VOLTAGE SHOWN ON BACKSIDE OF
MAGNET MOUNTING BRACKET ASSEMBLY BEFORE INSTALLATION.
3. SEE STEP 1 ON REVERSE SIDE FOR OUTLET BOX LOCATION. ANCHOR OUTLET BOX TO
WITHSTAND A MINIMUM 50 LB PULL. OUTLET BOX SHOWN INSTALLED IN A VERTICAL POSITION.
4. DOOR CLOSING MECHANISM SHOULD HAVE A 3 LB. MIN. CLOSING FORCE AT THE DEGREE OF
DOOR OPENING WHERE DOOR ARMATURE AND ELECTROMAGNET ENGAGE.
5. DOOR HARDWARE MUST NOT PROJECT MORE THAN 2 7/16" ON PULL SIDE OF DOOR.

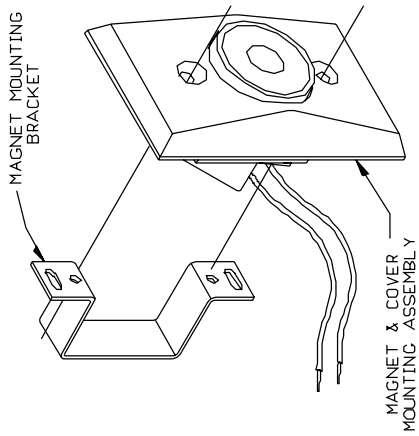


INCH	5/32	1/4	3/8	1/2	5/8	13/16	1	1 1/4	1 1/2
M.M.	4	6	10	13	21	32	38	38	38

INCH	1 5/8	1 3/4	2	2 3/16	2 3/8	4	4 5/8
M.M.	41	44	51	56	62	70	102

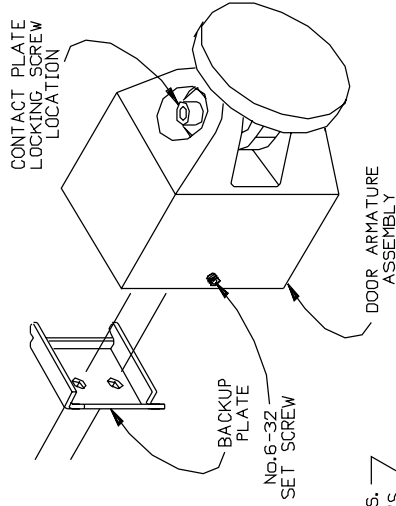
No.	REVISION	BY DATE	APP BY
1	REDRAWN ON CAD	JEL 3/2/95	JTA 1/97
LCN [®]			DO NOT SCALE
SENTRONIC [®] ELECTRO-MAGNETIC DOOR HOLDER			
7840 SEM			

WALL PORTION



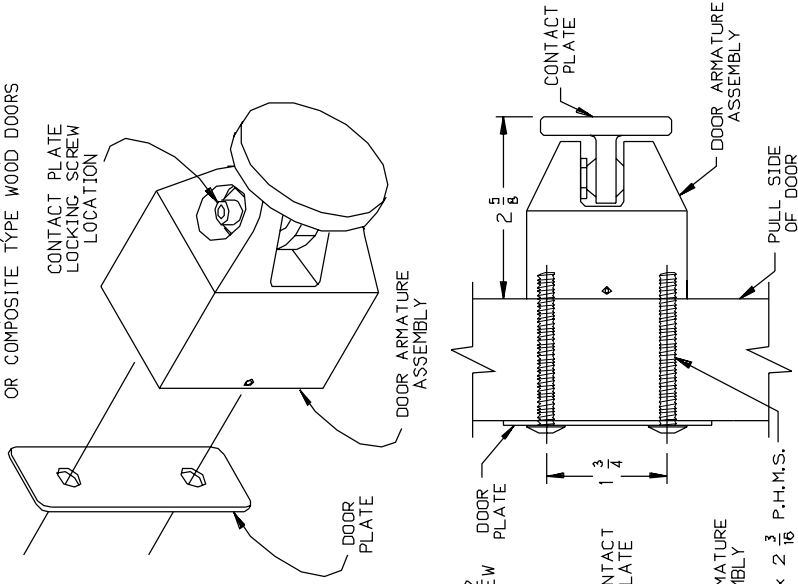
**WOOD SCREW MOUNTING
FOR SOLID WOOD CORE DOORS**

THIS VIEW SHOWS THE CONTACT PLATE LOCKING SCREW ACCESSIBLE FROM THE TOP. ROTATE BACKUP PLATE 180° FOR UNDERSIDE ACCESS.

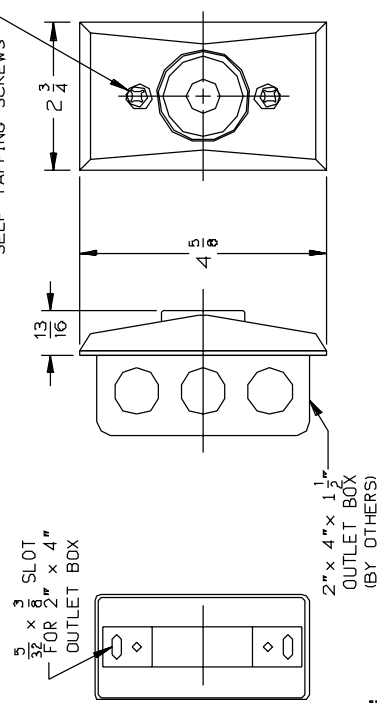


THROUGH BOLT MOUNTING

RECOMMENDED FOR HOLLOW METAL, HOLLOW CORE OR COMPOSITE TYPE WOOD DOORS



(2) No. 10-32 x 1 1/4 P.H.M.S. SELF TAPPING SCREWS



CAUTION:

MOUNTING OF OUTLET BOX SHOULD BE REINFORCED TO WITHSTAND SHOCK OF DOOR OPENING. FAILURE TO DO SO WILL CAUSE BOX ANCHORS TO WORK LOOSE.

GENERAL NOTES:

1. TOTAL PROJECTION : 3 7/16" (INCLUDES ELECTROMAGNET AND ARMATURE ASSEMBLY).
2. POWER/CURRENT SPECIFICATIONS: 24 VOLT AC OR DC - .110 AMP. OR 120 VOLT AC - .02 AMP.
3. IMPORTANT - CHECK EXISTING LINE VOLTAGE AGAINST VOLTAGE SHOWN ON BACKSIDE OF MAGNET MOUNTING BRACKET ASSEMBLY BEFORE INSTALLATION.
4. SEE STEP 1 ON REVERSE SIDE FOR OUTLET BOX LOCATION. ANCHOR OUTLET BOX TO WITHSTAND A MINIMUM 50 LB PULL. OUTLET BOX SHOWN INSTALLED IN A VERTICAL POSITION.
5. DOOR CLOSING MECHANISM SHOULD HAVE A 3 LB. MIN. CLOSING FORCE AT THE DEGREE OF DOOR OPENING WHERE DOOR ARMATURE AND ELECTROMAGNET ENGAGE.
6. DOOR HARDWARE MUST NOT PROJECT MORE THAN 3 7/16" ON PULL SIDE OF DOOR.

INCH	3/32	1/4	3/8	1/2	5/8	3/4	7/8	1	1 1/8	1 1/4	1 1/2	1 3/4
M.M.	4	5	10	13	21	32	38	44				
INCH	2	2 1/16	2 1/8	2 1/4	2 1/2	3 1/16	4	4 5/8				
M.M.	51	56	62	67	70	87	102	117				

SENTRONIC® ELECTRO-MAGNETIC DOOR HOLDER
7850 SEM

WOOD SCREW MOUNTING & THROUGH BOLT MOUNTING

No.	REVISION	BY DATE	APP BY
1	REWORK ON CAD	JEU 3/2/95	JTA 1/97
SENTRONIC® ELECTRO-MAGNETIC DOOR HOLDER			DO NOT SCALE
7850 SEM			

