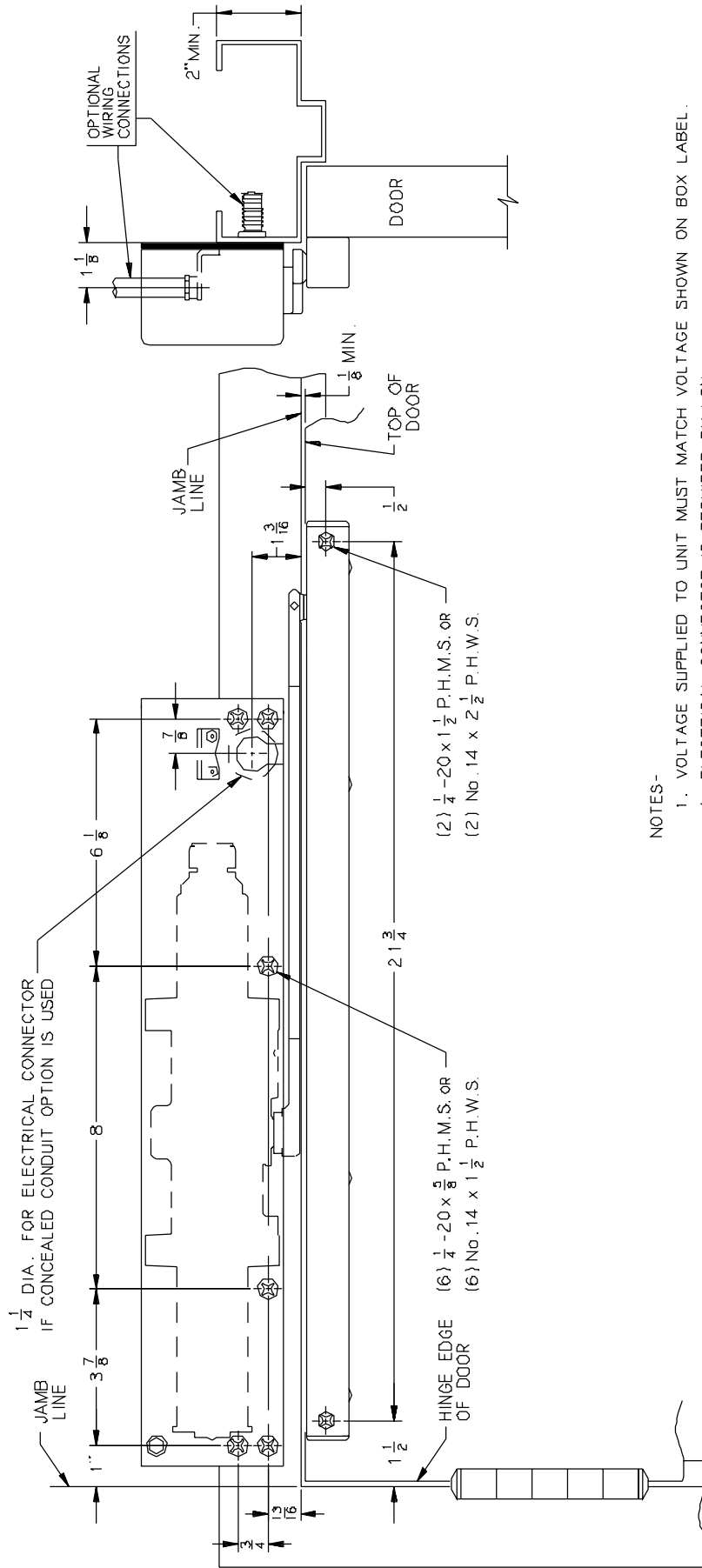


4313 ME } HOLD OPEN ANY POINT TO 160°  
 4314 ME } HOLD OPEN BYPASS 80° OR 140°  
 AUXILIARY STOP RECOMMENDED  
 RIGHT HAND DOOR AND CLOSER  
 SHOWN, LEFT HAND OPPOSITE  
 12/96



NOTES-

- VOLTAGE SUPPLIED TO UNIT MUST MATCH VOLTAGE SHOWN ON BOX LABEL.
- ELECTRICAL CONNECTOR IS PROVIDED BY LCN.
- IF DOOR IS HUNG ON PIVOTS, LOCATE CLOSER AND TRACK FROM CENTERLINE OF PIVOT. IF DOOR IS HUNG ON SWING CLEAR HINGES, CONSULT FACTORY.
- FLOOR OR WALL STOPS SHOULD BE USED.
- FOR ADDITIONAL INFORMATION ON RECOMMENDED USE OF THIS UNIT CONSULT NFPA-72E PAMPHLET.
- REINFORCING PER ANSI/SDI-100 RECOMMENDED FOR HOLLOW METAL DOORS AND FRAMES.

|      |                 |                |                |               |                |                 |                |     |                 |
|------|-----------------|----------------|----------------|---------------|----------------|-----------------|----------------|-----|-----------------|
| INCH | $\frac{1}{8}$   | $\frac{1}{4}$  | $\frac{1}{2}$  | $\frac{5}{8}$ | $\frac{3}{4}$  | $\frac{13}{16}$ | $\frac{7}{8}$  | 1   | $1\frac{1}{8}$  |
| M.M. | 3               | 6              | 13             | 16            | 19             | 21              | 22             | 25  | 29              |
| INCH | $1\frac{3}{16}$ | $1\frac{1}{4}$ | $1\frac{1}{2}$ | 2             | $2\frac{1}{2}$ | $3\frac{7}{8}$  | $6\frac{1}{8}$ | 8   | $21\frac{3}{4}$ |
| M.M. | 30              | 32             | 38             | 51            | 64             | 98              | 156            | 203 | 553             |

|  |                |    |      |     |     |           |
|--|----------------|----|------|-----|-----|-----------|
| No.  | REVISION       | BY | DATE | DRW | JTA | 1/97      |
| 5  | CAD CONVERSION | DM | 5/94 | BY  | DO  | NOT SCALE |
| <p><b>LCN®</b></p> <p>4310 ME HINGE SIDE, OVER DOOR MOUNTED<br/>         CLOSER WITH MULTI-POINT HOLD OPEN</p> <p><b>4310 ME</b></p> |                |    |      |     |     |           |