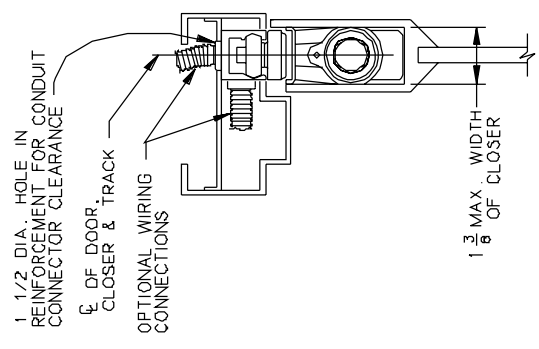
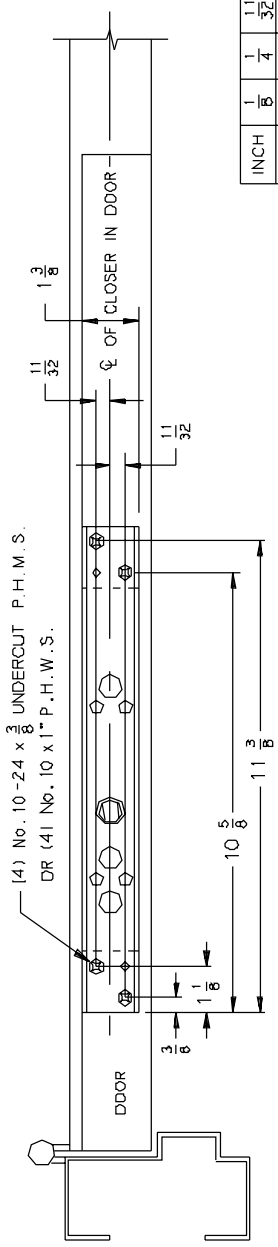
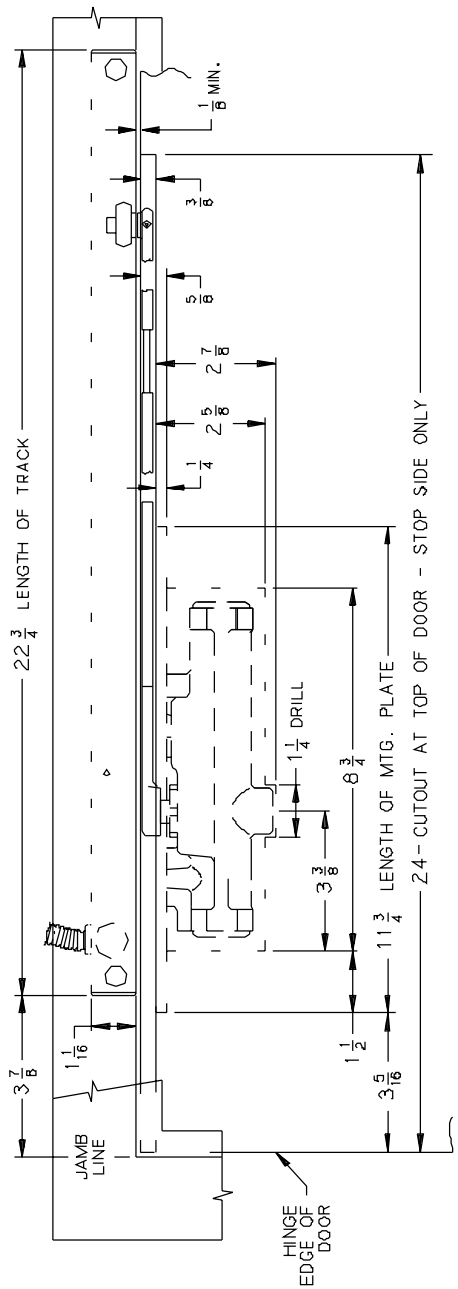
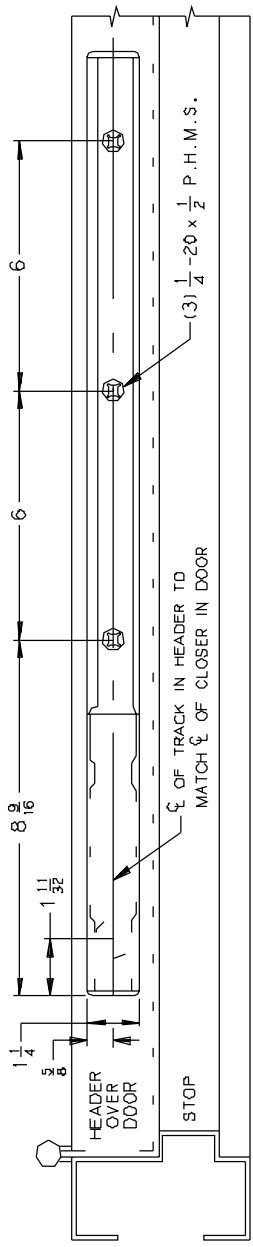


3130 SE } 85° to 110° HOLD OPEN  
 AUXILIARY STOP RECOMMENDED  
 LEFT HAND DOOR AND CLOSER SHOWN, RIGHT HAND OPPOSITE



INCH	1/8	1/4	3/8	1/2	5/8	1	1 1/8	1 1/4	1 1/2	1 5/8	1 3/4	1 7/8	2
M.M.	3	6	9	12	16	25	27	29	32	34	35	38	51

INCH	2 7/8	3 5/8	3 3/8	3 7/8	5	6	8 9/16	8 3/4	10 9/16	11 3/8	11 3/4	12 3/4	24
M.M.	73	84	86	98	127	152	217	222	270	289	298	578	610

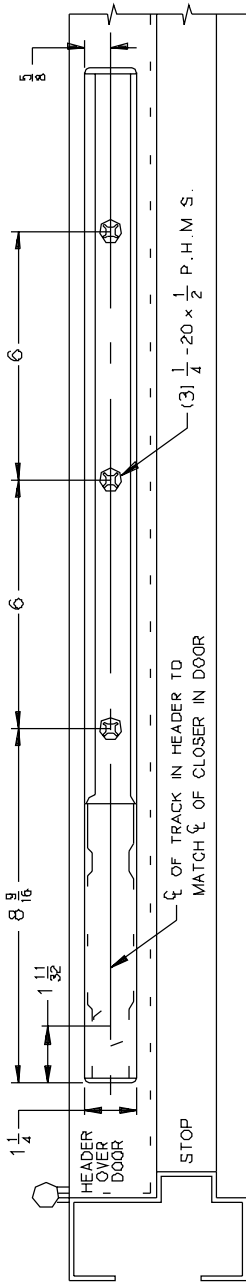
- NOTES -
- VOLTAGE SUPPLIED TO UNIT MUST MATCH VOLTAGE SHOWN ON SENTRONIC® LABEL.
  - IF DOOR IS HUNG ON PIVOTS OR SWING CLEAR HINGES—CONSULT FACTORY
  - AUXILIARY STOP SHOULD BE USED.
  - MAXIMUM BUTT SIZE 5" x 5".
  - REINFORCING PER ANS\SD1-100 IS RECOMMENDED FOR HOLLOW METAL DOORS AND FRAMES.

No	REVISION	BY	DATE	APP BY	DATE
	1	TEMPLATE UPDATE	JEJ		
				DO NOT SCALE	
				3130 SE CONCEALED CLOSER \	
				HOLDER WITH ELECTRONIC RELEASE	
				3130 SE CONCEALED MOUNTING	

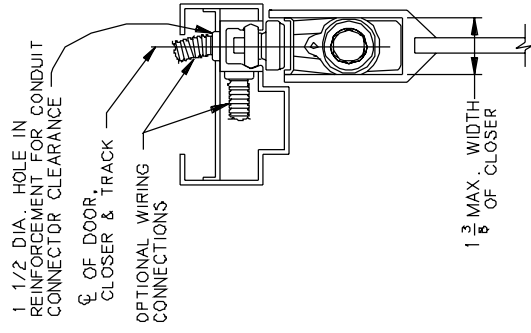
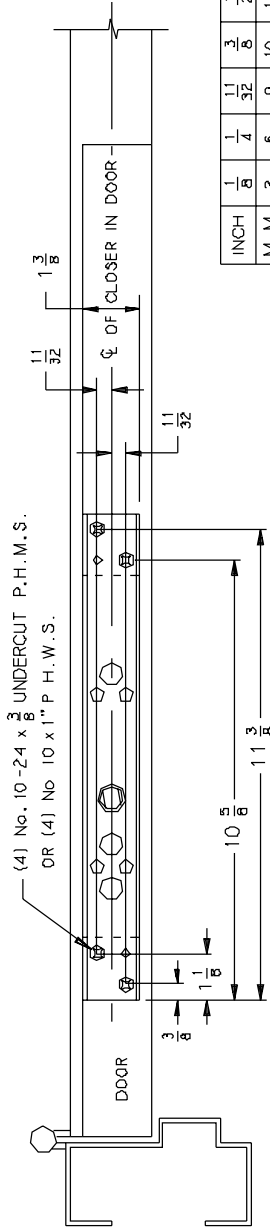
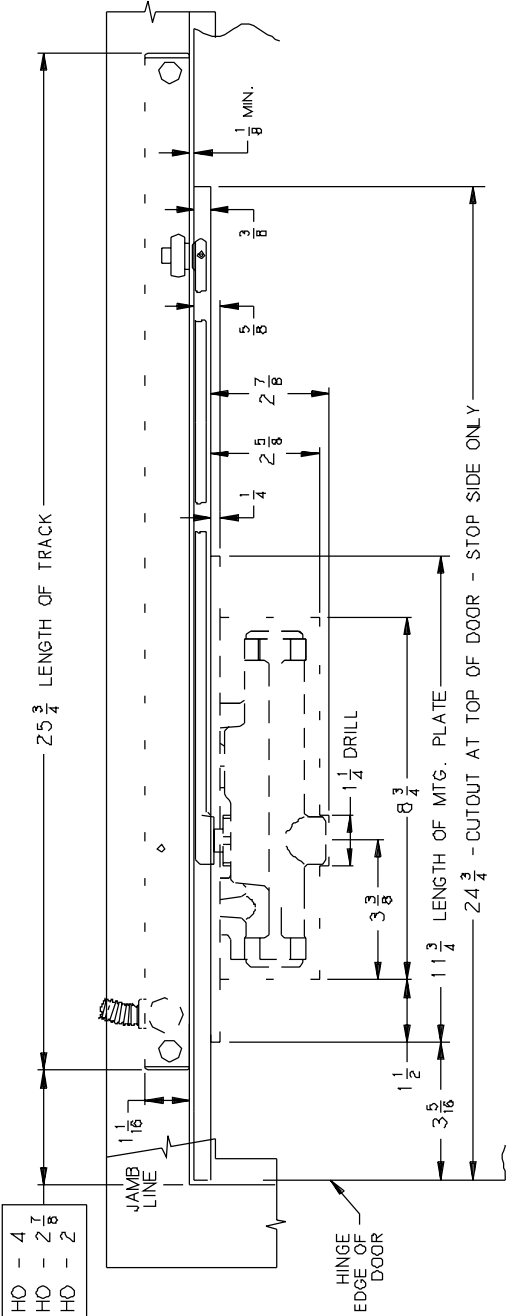
3130 SEL | 110° TO 130° HOLD OPEN

AUXILIARY STOP RECOMMENDED

LEFT HAND DOOR AND CLOSER SHOWN, RIGHT HAND OPPOSITE 12/96



110°	HO - 4
120°	HO - 2 1/8
130°	HO - 2



INCH	1/8	1/4	3/8	1/2	5/8	1	1 1/8	1 1/4	1 1/2	1 5/8	1 3/4	1 7/8	2
M.M.	3	6	9	10	13	16	25	27	29	32	34	35	38

INCH	2 5/8	2 7/8	3 5/8	3 3/4	4	5	6	8 9/16	10 5/8	11 3/4	11 3/8	11 3/4	12 3/4	25 3/4	30
M.M.	67	73	84	86	102	127	152	217	222	270	289	298	629	648	762

- NOTES -
- VOLTAGE SUPPLIED TO UNIT MUST MATCH VOLTAGE SHOWN ON SENTRONIC<sup>®</sup> LABEL.
  - IF DOOR IS HUNG ON PIVOTS OR SWING CLEAR HINGES - CONSULT FACTORY
  - AUXILIARY STOP SHOULD BE USED.
  - MAXIMUM BUTT SIZE 5" x 5".
  - MINIMUM DOOR WIDTH IS 30" TO ACCOMMODATE SEL TRACK & ARM.
  - REINFORCING PER ANSINSDI-100 IS RECOMMENDED FOR HOLLOW METAL DOORS AND FRAMES.

No.	REVISION	BY	DATE	APP	BY	DATE
1	TEMPLATE UPDATE	JEJ	6/96	LCN <sup>®</sup>	JTA	1/97
				DO NOT SCALE		
3130 SEL CONCEALED CLOSER \						
HOLDER WITH ELECTRONIC RELEASE						
3130 SEL CONCEALED MOUNTING						