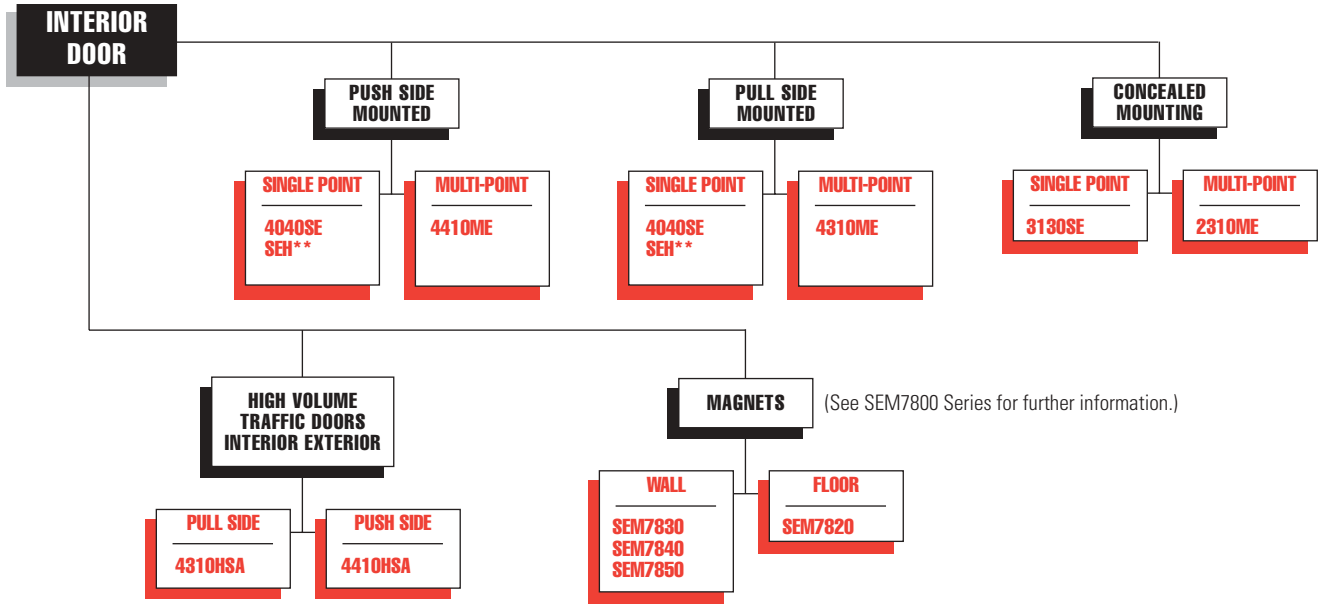


FIRE/LIFE SAFETY SERIES

PRODUCT SELECTION GUIDE

SENTRONIC® Series LCN closer/holders combine heavy duty closers with electrically controlled hold-open functions to control fire and smoke barrier doors. This guide is based on the desired mounting of the unit.



** See SEH section (cylinder not included)

PRODUCT COMPARISON

This chart shows a basic comparison of Sentronic closer/holders. Refer to the specific product chapter for complete details.

CLOSER SERIES	MOUNTING					FINISH		COVER		CYLINDER			*ARM FUNCTION						
	HINGE (PULL) SIDE	TOP JAMB (PUSH)	STOP FACE (PUSH)	CONCEALED (FRAME)	CONCEALED (DOOR)	POWDER COAT	PLATED	PLASTIC	METAL	HANDED	NON-SIZED	SIZED	SINGLE-POINT HOLD-OPEN	MULTI-POINT HOLD-OPEN	BYPASS 80/140	STANDARD (SINGLE)	REGULAR (DOUBLE)	SWING FREE	DOUBLE EGRESS
3130SE	○	○	○	○	●	●	●	○	○	●	○	●	○	○	○	110°	○	○	○
4040SE	●	○	●	○	○	●	●	●	●	○	●	○	●	○	○	110°	○	○	95°
2310ME	○	○	○	●	○	●	●	○	●	●	○	●	○	●	○	160°	○	○	○
4310ME	●	○	○	○	○	●	●	○	●	●	○	●	○	●	○	○	160°	95°	○
4410ME	○	●	○	○	○	●	●	○	●	●	○	●	○	●	○	○	150°	○	○
4310HSA	●	○	○	○	○	●	●	○	●	●	●	○	●	○	○	160°	○	○	95°
4410HSA	○	●	○	○	○	●	●	○	●	●	○	○	●	○	○	○	150°	○	○

● Available
○ Not available

* Maximum hold-open with standard template. See individual closer series for degrees of opening and hold-open per installation.

FIRE/LIFE SAFETY SERIES

SENTRONIC® CLOSER/HOLDERS

Automatic detection and containment of fire and smoke are the best ways to minimize danger to life and property. Patented Sentronic door closer/holders are designed to hold swinging doors open in normal use and release and automatically close the doors under fire conditions. Conforms to major building codes, life safety codes (eg. NFPA 101) and ANSI A156.15.

SINGLE POINT HOLD-OPEN (SE)

SE series offers adjustable single point hold-open function controlled by solenoid assembly located in the SE track.

MULTI-POINT HOLD-OPEN (ME)

ME series offers infinitely adjustable, multi-point hold-open function controlled by solenoid on the cylinder assembly.

HOLDER SCANNER ACTIVATED (HSA)

Electronically controlled closer/holder designed to provide easy passage for groups of pedestrians through high traffic doors. Best suited for high traffic emergency exit doors.

MAGNETS (SEM)

SEM 7800 Series magnets work with manual door closers to provide single point hold-open.

APPLICATIONS

- ▶ For fire and smoke barrier doors.
- ▶ Integrated into larger system.
- ▶ Surface and concealed mountings.
- ▶ Remote control hold-open function of executive and conference area doors.
- ▶ Adapter plates and other installation accessories available for unusual conditions.

GENERAL NOTES

Note 1: For installations where 120V AC input voltage is supplied, 120V/24V transformer, 4040SE-3210, is required to reduce line voltage for 24V holding solenoid. Units are available in either 24V or 120V input, please specify.

Note 2: Transformer 4040SE-3210 mounted on cover plate to fit 4" (102 mm) x 4" x 2 1/8" (54 mm) junction box (by others).

Note 3: SE track quick-connector is required for 1/2" conduit.

Note 4: SE test switch assembly includes fuse to protect solenoid. Works with ionization, photoelectric and heat sensing detectors (by others).

LISTINGS AND APPROVALS

Sentronic closer/holders are listed by Underwriters Laboratories, Inc. in the following product categories under FIRE DOORS (GSNV), Combination Door Closers and Holders (GTIS) file R7050. SEM 7800 Series magnets are listed under Door Holders (GTPR) file R8327.

Consult the factory for other listings, such as; ULC, Department of Labor and Industry of the Commonwealth of Pennsylvania, The Board of Standards and Appeals of the City of New York, Fire and Panic Safety Standards of the California State Fire Marshal.

HOLDING SOLENOIDS CURRENT DRAW

SE/ME

24V AC/DC (+10% -15%) @ 90 mA max.

120V AC/DC (+10% -15%) @ 30 mA max.

SEM7800

24V AC/DC (+10% -15%) @ 110 mA max.

120V AC/DC (+10% -15%) @ 20 mA max.

HSA

24V AC/DC (+10% -15%) @ 220 mA max.

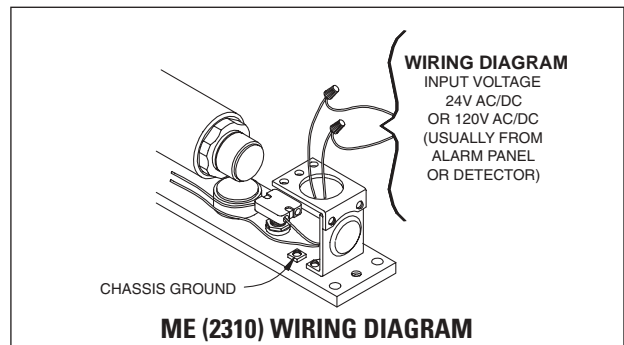
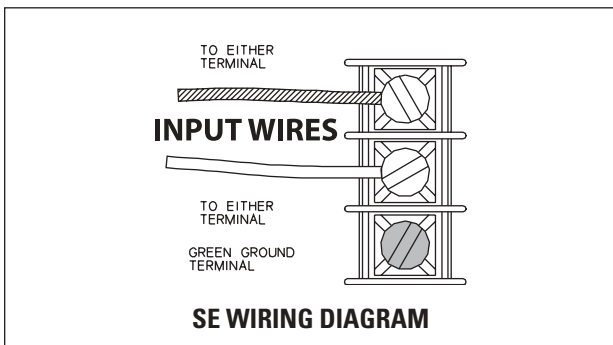
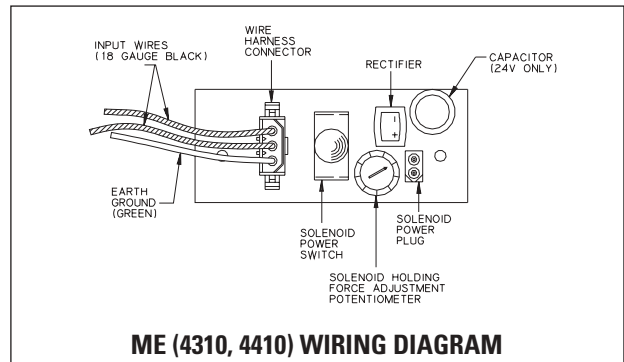
TRANSFORMER DATA

120V AC 50-60 Hz (primary); 24V AC @ 400 mA max. (secondary)

An LCN supplied transformer will power (recommended) two SE, ME or SEM and one HSA.

ME WIRING

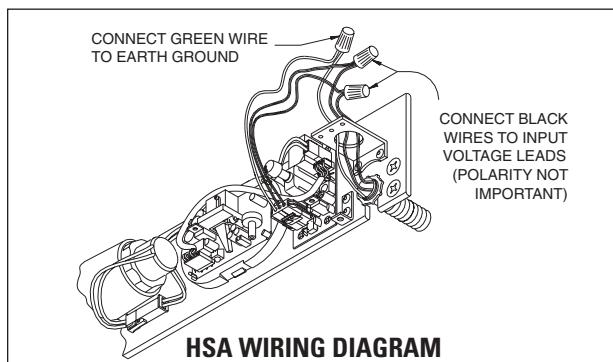
ME "ON/OFF" switch assembly includes trim pot to adjust pull out force and fuse to protect solenoid.



FIRE/LIFE SAFETY SERIES

HSA WIRING

HSA "On/Off" switch assembly includes trim pot to adjust hold-open time and fuse to protect solenoid



FEATURES COMMON TO FIRE/LIFE SAFETY CLOSERS

- ▶ 24V AC/DC or 120V AC input, please specify.
- ▶ When current is interrupted, hold-open releases and door closes.
- ▶ Adjustable hydraulic backcheck cushions opening swing prior to 90°.
- ▶ Separate regulation of general closing speed and latching speed.
- ▶ Available in a wide range of powder coated finishes to blend with door and frame. SEM available in aluminum and dark bronze only.
- ▶ Circuit automatically handles AC or DC input.
- ▶ Can be pushed safely and easily out of hold-open.
- ▶ Functions as a full rack and pinion door closer when hold-open is not engaged or current is interrupted.
- ▶ Works with ionization, photoelectric and heat sensing detectors (by others).

WARRANTY

2 year limited warranty. See General Section for complete warranty details.

SPECIFICATIONS

Refer to "SPECIFICATIONS" section for suggested architectural specifications.

DESIGN ASSISTANCE

LCN has been providing reliable solutions to unique door control problems for over 75 years.

Contact LCN for assistance or technical information at **800-526-2400** or FAX **800-248-1460 (customer service)**, Fax **815-879-1495** for Application Engineering.

MATERIALS

- ▶ High strength **cast iron** cylinder.
- ▶ **Forged steel** main arm.
- ▶ One piece **forged steel** piston.
- ▶ **All weather fluid** eliminates seasonal adjustments.
- ▶ **High efficiency, full complement**, low friction bearings.
- ▶ Tamper resistant regulating screws.
- ▶ Quiet, low friction track and roller combination for all single lever arm closers.

FINISHES

- ▶ Available in seven standard or a wide selection of optional custom powder coat finishes to blend with door and frame.
- ▶ LCN's powder coat finish surpasses 100 hours of salt spray which is over four times the ANSI standard for corrosion resistance.
- ▶ Plated finishes are available as an option to accent door and frame.

MAINTENANCE

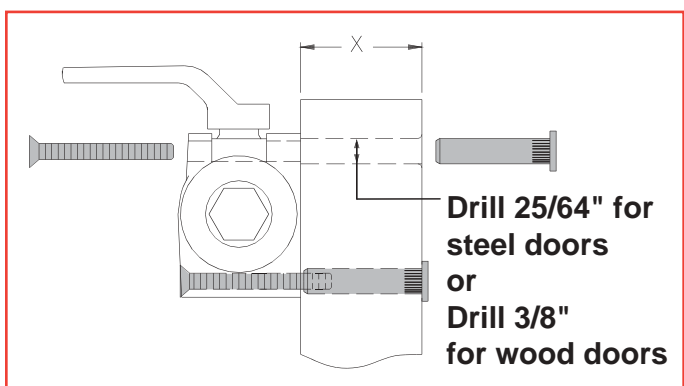
Closers mounted according to LCN installation instructions require no periodic adjustments. Quarterly inspections are recommended. Refer to the installation instructions for complete, product specific details.

POSITIVE PRESSURE

LCN closers have been certified for three hours by UL to be in compliance with UBC 7.2 (1997) and UL 10 C. Contact LCN for specific details on door closer fire ratings.

FASTENERS

Standard WOOD and MACHINE SCREW (WMS) pack contains phillips head wood and machine screws to install the closer. Through Bolts and/or TORX® machine screws are available for most closers. LCN through bolts (TB) can be installed on 1 3/4" thick doors with either the 1/4-20 machine screws or optional TORX screws supplied with the closer. Optional sizes are available for 1 5/8" or 1 3/8" door thicknesses, but this must be specified when ordering.



Note 1: For Through Bolts, specify door thickness if other than 1 3/4" (44 mm).

Note 2: Phillips head, metric machine screws are available on special order.