

LCN SEM7800 SERIES "Sentronic"

Complete Magnet Assemblies

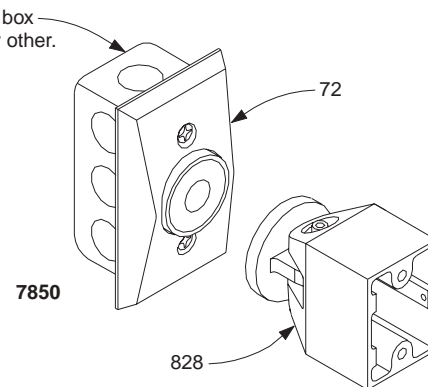
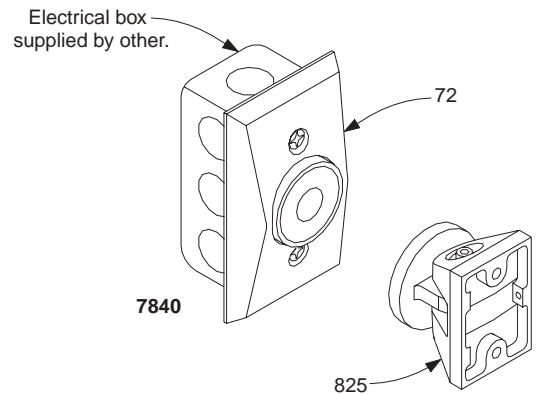
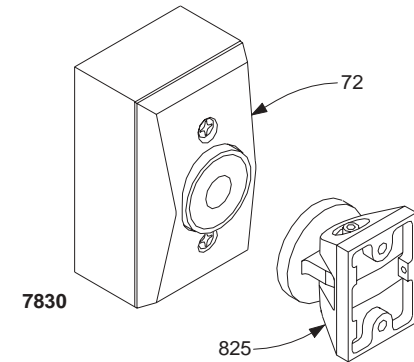
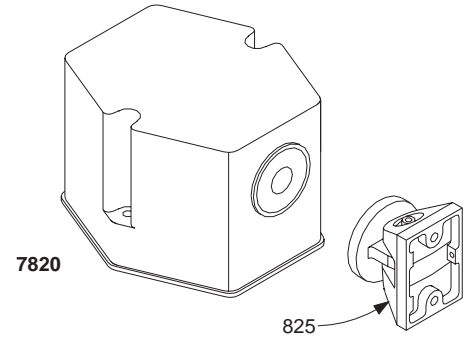
| | | |
|---------|--------------------------------|------|
| SEM7820 | Floor Mounted Magnet | F, V |
| SEM7830 | Surface Wall Mounted Magnet | F, V |
| SEM7840 | Low Profile Recessed Wall Mt. | F, V |
| SEM7850 | Std. Profile Recessed Wall Mt. | F, V |

Individual Magnet Parts

Individual magnet parts for SEM7000 Series

LCN is not able to offer the magnet portion or individual box portion of any SEM7800 Series Magnet as an individual replacement part

| | | |
|-------------|---|---|
| SEM7820-825 | Door Armature | F |
| SEM7830-72 | Standard Cover | F |
| | <i>Box and magnet <u>not</u> included</i> | |
| SEM7830-825 | Door Armature | F |
| SEM7840-72 | Standard Cover | F |
| | <i>Box and magnet <u>not</u> included</i> | |
| SEM7840-825 | Door Armature | F |
| SEM7850-72 | Standard Cover | F |
| | <i>Box and magnet <u>not</u> included</i> | |
| SEM7850-828 | Door Armature | F |



Please specify finish (F), size (S), hand (H), & voltage (V) where indicated. See the latest edition of the LCN Catalog for part descriptions and specifications on many of the items shown above. List prices for items shown above can be located in the current LCN Price List.

LCN SEM7800 SERIES "Sentronic"

Please specify finish **(F)**, size **(S)**, hand **(H)**, & voltage **(V)** where indicated. See the latest edition of the LCN Catalog for part descriptions and specifications on many of the items shown above. List prices for items shown above can be located in the current LCN Price List.