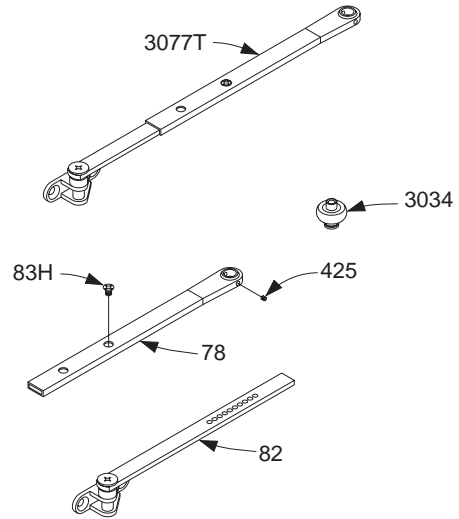


## Arm Assemblies

SEH-3077T	Standard Arm	F
	<i>Includes SEH-78, -82, -83H, &amp; -425</i>	

## Individual Arm Parts

Individual arm parts for SEH-3077T		
SEH-78	Arm & Tube	F
	<i>Includes -159 &amp; -425</i>	
SEH-82	Rod & Shoe	F
	<i>Includes -83H</i>	
SEH-83H	H Arm Screw	F
SEH-425	Roller Locking Screw	
SEH-3034	Track Roller	

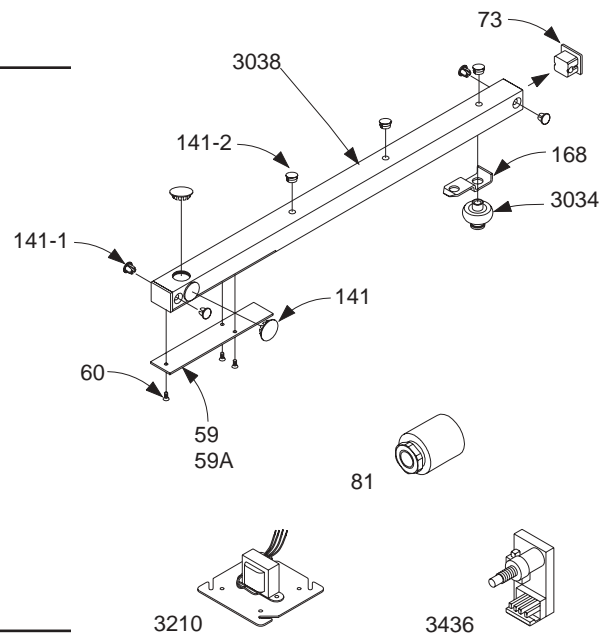


## Track Assemblies

SEH-3038	Standard Track	F, V
	<i>Includes SEH-59A, -60 (3), -73 (2), -141 (2), -141-1 (4), 141-2 (3) -168, &amp; -3034, -3436</i>	
	<i>Length is 22 3/4" (578mm)</i>	

## Individual Track Parts

Individual track parts for SEH-3038		
SEH-59	Cover Plate	F
	<i>Use for products manufactured prior to 11/2003</i>	
	<i>Includes SEH-60 (3)</i>	
SEH-59A	Cover Plate	F
	<i>Use for products manufactured 11/2003 or after</i>	
	<i>Includes SEH-60 (3)</i>	
SEH-60	Cover Plate Screw	F
SEH-73	End Cap	
SEH-141	Conduit Plug	F
SEH-141-1	Track Plug	F
SEH-141-2	Track Plug	F
SEH-168	Track Slider	
SEH-3034	Track Roller	



## Installation Accessories

SEH-81	Connector with ring	
SEH-3436	SE On/Off Switch	V
4040SE-3210	Transformer	V

Please specify finish (F), size (S), hand (H), & voltage (V) where indicated. See the latest edition of the LCN Catalog for part descriptions and specifications on many of the items shown above. List prices for items shown above can be located in the current LCN Price List.

# LCN SEH SERIES

Please specify finish **(F)**, size **(S)**, hand **(H)**, & voltage **(V)** where indicated. See the latest edition of the LCN Catalog for part descriptions and specifications on many of the items shown above. List prices for items shown above can be located in the current LCN Price List.