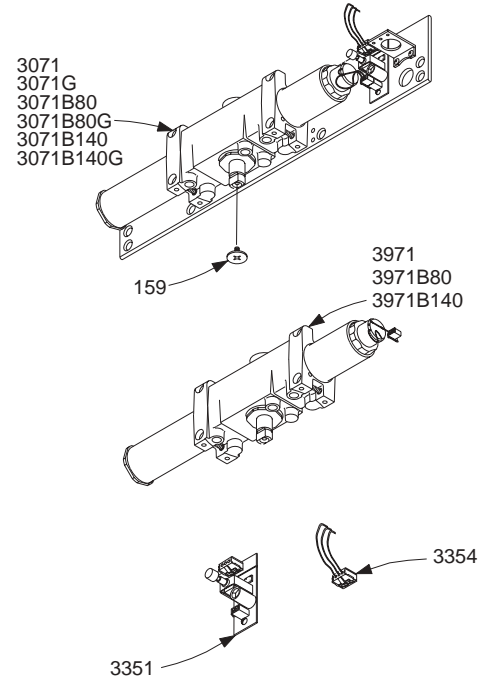


# LCN 4410ME SERIES "Sentronic"

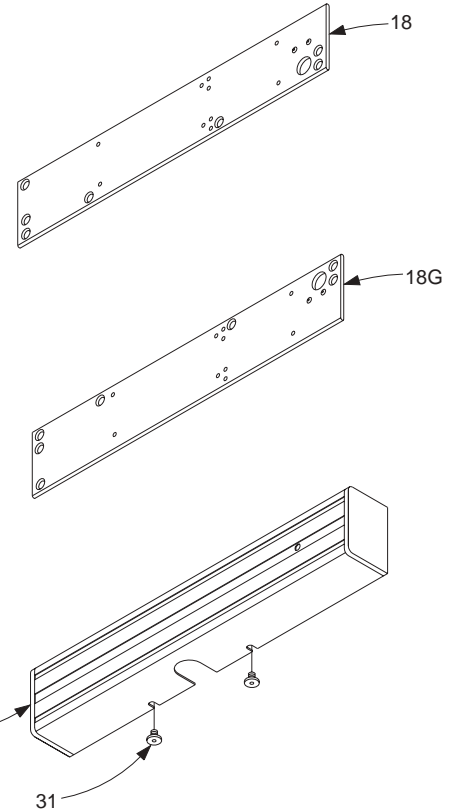
## Cylinder Assemblies

4413(4)ME-3071	Cylinder Assembly	F, S, H, V
	<i>Includes 4410ME-18 and all electronic components, Screw pack (WMS standard – please specify other). Cylinder assembly is sized, please specify (not adjustable)</i>	
4413(4)ME-3071G	Cylinder Assembly	F, S, H, V
	<i>Includes 4410ME-18G and all electronic components, Screw pack (WMS standard – please specify other). Cylinder assembly is sized, please specify (not adjustable)</i>	
4413(4)ME-3071B80	Cylinder Assembly w/B80	F, S, H, V
	<i>Includes 4410ME-18 and all electronic components, Screw pack (WMS standard – please specify other). Cylinder assembly is sized, please specify (not adjustable)</i>	
4413(4)ME-3071B80G	Cylinder Assembly w/B80	F, S, H, V
	<i>Includes 4410ME-18G and all electronic components, Screw pack (WMS standard – please specify other). Cylinder assembly is sized, please specify (not adjustable)</i>	
4413(4)ME-3071B140	Cylinder Assembly w/B140	F, S, H, V
	<i>Includes 4410ME-18 and all electronic components, Screw pack (WMS standard – please specify other). Cylinder assembly is sized, please specify (not adjustable)</i>	
4413(4)ME-3071B140G	Cylinder Assembly w/B140	F, S, H, V
	<i>Includes 4410ME-18G and all electronic components, Screw pack (WMS standard – please specify other). Cylinder assembly is sized, please specify (not adjustable)</i>	



## Individual Cylinder Parts

Individual cylinder parts for 4410ME-3071		
4410ME-18	Mounting Plate	F, H
4410ME-18G	Mounting Plate	F, H
4410ME-159	Arm Screw	F
4410ME-3351	On/Off Switch Assembly	V
4410ME-3354	ME Wiring Harness	
	<i>3 wire, Length is 6" (152mm)</i>	
4413(4)ME-3971	Cylinder Only	F, S, H, V
	<i>Includes solenoid only – no other electronic components, Screw pack (WMS standard – please specify other). Cylinder assembly is size specific (not adjustable)</i>	
4413(4)ME-3971B80	Cylinder Only w/B80	F, S, H, V
	<i>Includes solenoid only – no other electronic components, Screw pack (WMS standard – please specify other). Cylinder assembly is size specific (not adjustable)</i>	
4413(4)ME-3971B140	Cylinder Only w/B140	F, S, H, V
	<i>Includes solenoid only – no other electronic components, Screw pack (WMS standard – please specify other). Cylinder assembly is size specific (not adjustable)</i>	



## Covers

4410ME-72MC	Metal Cover	F, H
	<i>Includes 4410ME-31 (3)</i>	

## Individual Cover Parts

Individual cover parts for 4410ME-72MC		
4410ME-31	Cover Screw	F

Please specify finish (F), size (S), hand (H), & voltage (V) where indicated. See the latest edition of the LCN Catalog for part descriptions and specifications on many of the items shown above. List prices for items shown above can be located in the current LCN Price List.

# LCN 4410ME SERIES "Sentronic"

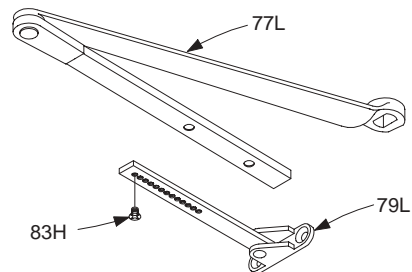
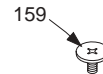
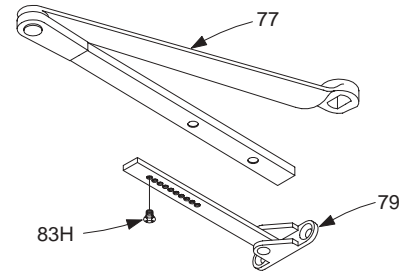
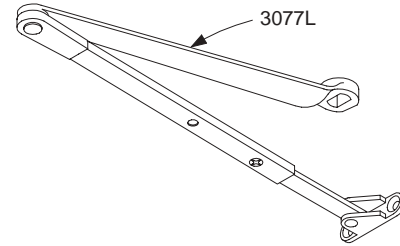
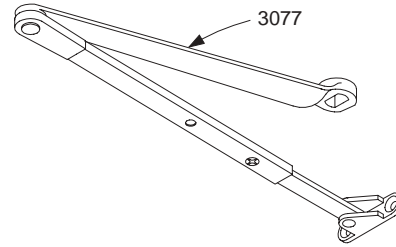
## Arm Assemblies

4410ME-3077	Regular Arm <i>Includes 4410ME-77, 79 &amp; 159</i>	F
4410ME-3077L	Long Arm <i>Includes 4410ME-77L, 79L &amp; 159</i>	F

## Individual Arm Parts

Individual arm parts for 4410ME-3077 & 3077L

4410ME-77	Arm & Forearm <i>Includes 4410ME-159</i>	F
4410ME-77L	Long Arm & Forearm <i>Includes 4410ME-159</i>	F
4410ME-79	Rod & Shoe <i>Includes 4410ME-83H</i>	F
4410ME-79L	ME Long Rod <i>Includes 4410ME-83H</i>	F
4410ME-83H	H Arm Screw	F
4410ME-159	Arm Screw	F



Please specify finish (F), size (S), hand (H), & voltage (V) where indicated. See the latest edition of the LCN Catalog for part descriptions and specifications on many of the items shown above. List prices for items shown above can be located in the current LCN Price List.