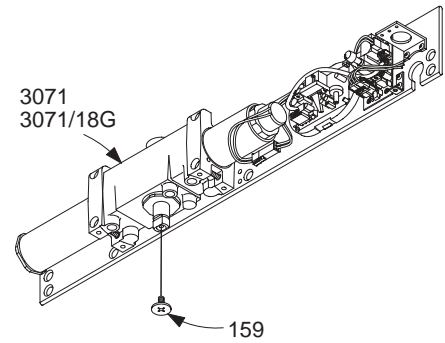


# LCN 4410HSA SERIES "Sentronic"

## Cylinder Assemblies

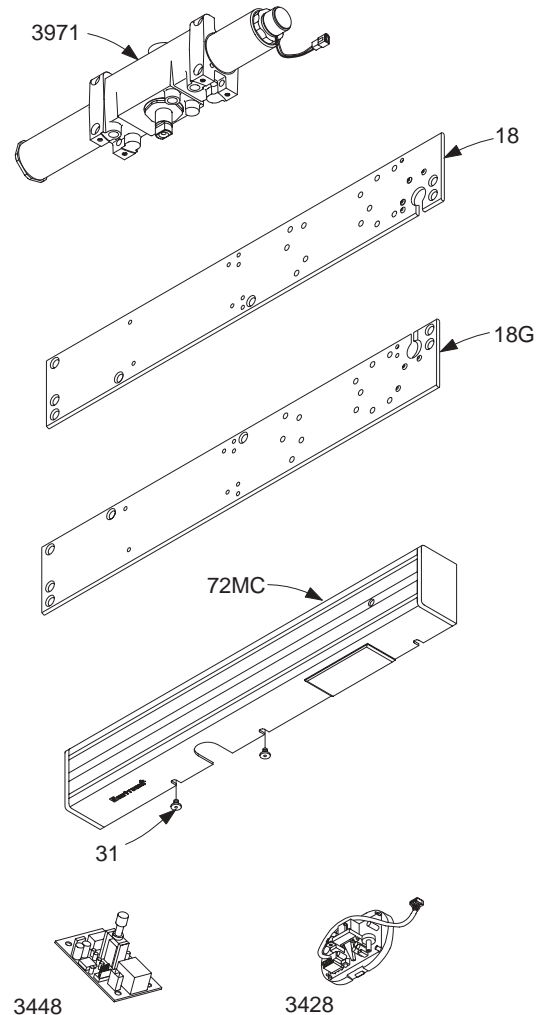
4412HSA-3071	Cylinder Assembly	F, S, H, V
	<i>Includes 4410HSA-18 and all electronic components, Screw pack (WMS standard – please specify other). Cylinder assembly is size specific (not adjustable)</i>	
4412HSA-3071/18G	Cylinder Assembly	F, S, H, V
	<i>Includes 4410HSA-18G and all electronic components, Screw pack (WMS standard – please specify other). Cylinder assembly is size specific (not adjustable)</i>	



## Individual Cylinder Parts

Individual cylinder parts for 4412HSA-3071

4410HSA-18	Mounting Plate	F, H
4410HSA-18G	Mounting Plate	F, H
4410HSA-159	Arm Screw	F
4410HSA-3428	Scanner Module	
4410HSA-3448	Timer Module	
4412HSA-3971	Cylinder Only	F, S, H, V
	<i>Includes solenoid only – no other electronic components, Screw pack (WMS standard – please specify other). Cylinder assembly is size specific (not adjustable)</i>	



## Covers

4410HSA-72MC	Metal Cover	F, H
	<i>Includes 4410HSA-31 (3)</i>	

## Individual Cover Parts

Individual cover parts for 4410HSA-72MC

4410HSA-31	Cover Screw	F
------------	-------------	---

Please specify finish (**F**), size (**S**), hand (**H**), & voltage (**V**) where indicated. See the latest edition of the LCN Catalog for part descriptions and specifications on many of the items shown above. List prices for items shown above can be located in the current LCN Price List.

# LCN 4410HSA SERIES "Sentronic"

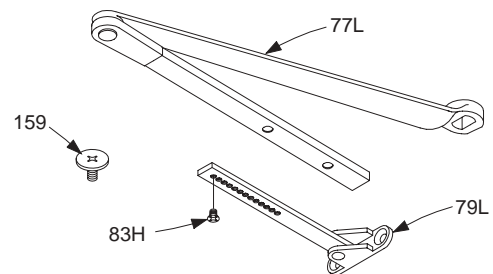
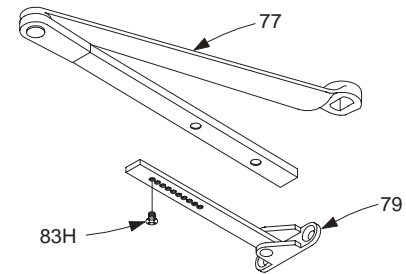
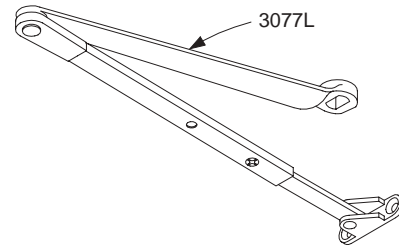
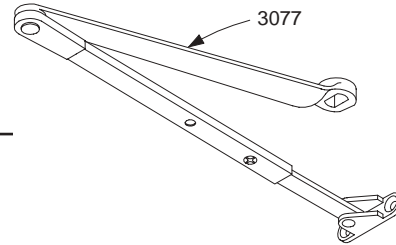
## Arm Assemblies

4410HSA-3077	Regular Arm	F, H
	<i>Includes 4410HSA-77, -79, -83H, &amp; -159</i>	
4410HSA-3077L	Long Arm	F, H
	<i>Includes 4410HSA-77-79LR, -83H, &amp; -159</i>	

## Individual Arm Parts

Individual arm parts for 4410HSA-3077, & -3077L

4410HSA-77	Main Arm & Forearm	F
	<i>Includes 4410HSA-159</i>	
4410HSA-77L	Long Arm & Forearm	F
	<i>Includes 4410HSA-159</i>	
4410HSA-79	Rod & Shoe	F
	<i>Includes 4410HSA-83H</i>	
4410HSA-79L	Long Rod & Shoe	F
	<i>Includes 4410HSA-83H</i>	
4410HSA-83H	H Arm Screw	F
4410HSA-159	Arm Screw	F



Please specify finish (F), size (S), hand (H), & voltage (V) where indicated. See the latest edition of the LCN Catalog for part descriptions and specifications on many of the items shown above. List prices for items shown above can be located in the current LCN Price List.