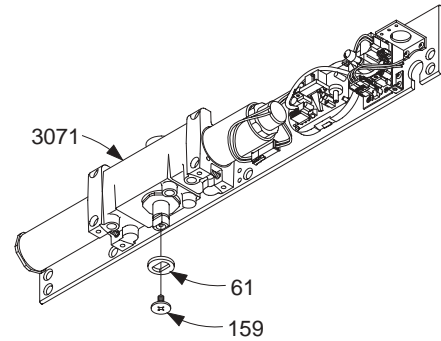


# LCN 4310HSA SERIES "Sentronic"

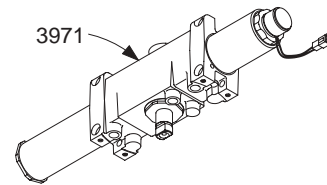
## Cylinder Assemblies

4311HSA-3071	Cylinder Assembly	F, S, H, V
	<i>Includes mounting plate and all electronic components, Screw pack (WMS standard – please specify other). Cylinder assembly is size specific (not adjustable)</i>	



## Individual Cylinder Parts

Individual cylinder parts for 4311HSA-3071		
4310HSA-18	Mounting Plate	F, H
4310HSA-61	Shaft Spacer	
4310HSA-159	Arm Screw	F
4310HSA-3428	Scanner Module	
4310HSA-3448	Timer Module	
4311HSA-3971	Cylinder Only	F, S, H, V
	<i>Includes solenoid only – no other electronic components, Screw pack (WMS standard – please specify other). Cylinder assembly is size specific (not adjustable)</i>	

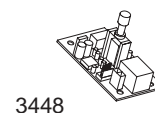
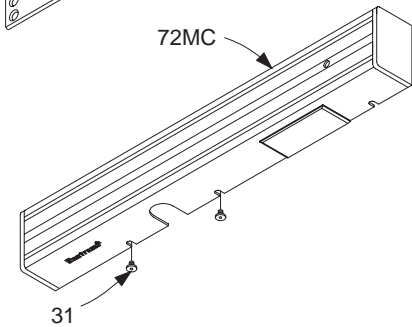
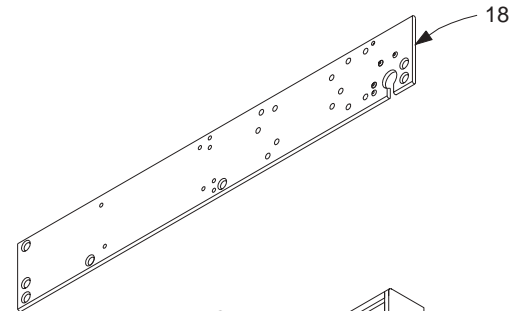


## Covers

4310HSA-72MC	Metal Cover	F, H
	<i>Includes 4310HSA-31 (3)</i>	

## Individual Cover Parts

Individual cover parts for 4310HSA-72MC		
4310HSA-31	Cover Screw	F



Please specify finish (F), size (S), hand (H), & voltage (V) where indicated. See the latest edition of the LCN Catalog for part descriptions and specifications on many of the items shown above. List prices for items shown above can be located in the current LCN Price List.

# LCN 4310HSA SERIES "Sentronic"

## Arm Assemblies

4310HSA-3077T	Standard Arm <i>Includes 4310HSA-159 &amp; -425</i>	F, H
4310HSA-3077DE	Double Egress Arm <i>Includes 4310HSA-159 &amp; -425</i>	F, H

## Individual Arm Parts

Individual arm parts for 4310HSA-3077SF

4310HSA-61	Shaft Spacer	
4310HSA-159	Arm Screw	F
4310HSA-425	Roller Locking Screw	
4310HSA-3034	Track Roller	

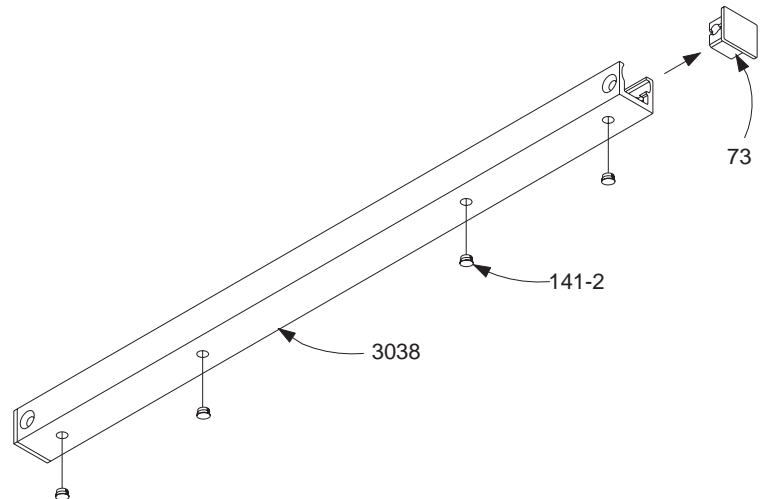
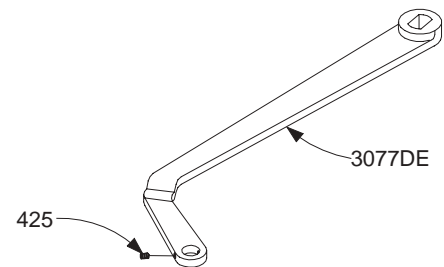
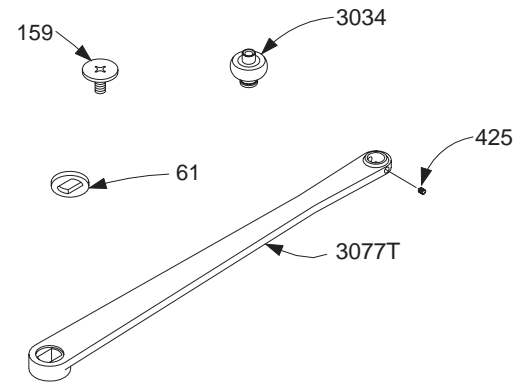
## Track Assemblies

4310HSA-3038	Standard Track <i>Includes 4310HSA -73 (2), -141-2 (4), &amp; -3034</i> <i>Length is 22 3/4" (578mm)</i>	F, V
--------------	--	------

## Individual Track Parts

Individual track parts for 4310HSA-3038

4310HSA-73	End Cap	
4310HSA-141-2	Track Plug	F
4310HSA-3034	Track Roller	



Please specify finish (F), size (S), hand (H), & voltage (V) where indicated. See the latest edition of the LCN Catalog for part descriptions and specifications on many of the items shown above. List prices for items shown above can be located in the current LCN Price List.