

# LCN 2310ME SERIES "Sentronic"

## Cylinder Assemblies

2313(4)ME-3071	Cylinder Assembly	F, S, H, V
	<i>Includes mounting plate and all electronic components, Screw pack (WMS standard – please specify other). Cylinder assembly is sized, please specify (not adjustable)</i>	
2313(4)ME-3071B80	Cylinder Assembly w/B80	F, S, H, V
	<i>Includes mounting plate and all electronic components, Screw pack (WMS standard – please specify other). Cylinder assembly is sized, please specify (not adjustable)</i>	
2313(4)ME-3071B140	Cylinder Assembly w/B140	F, S, H, V
	<i>Includes mounting plate and all electronic components, Screw pack (WMS standard – please specify other). Cylinder assembly is sized, please specify (not adjustable)</i>	

## Individual Cylinder Parts

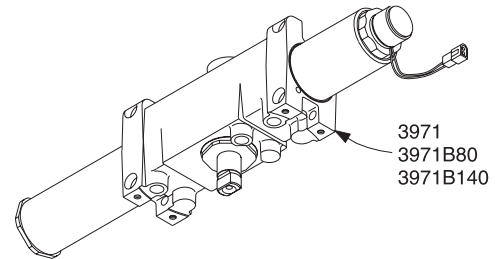
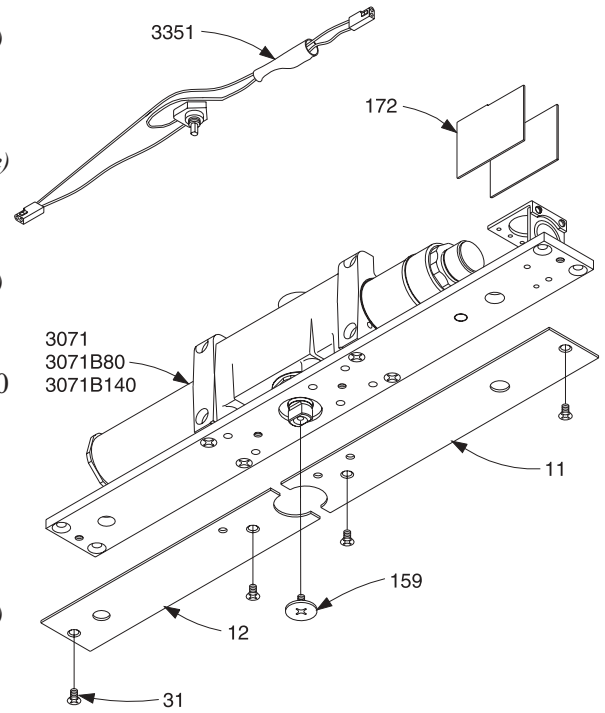
Individual cylinder parts for 2313(4)ME-3071, -3071B80, & -3071B140		
2310ME-159	Arm Screw	F
2310ME-172	Wiring Cover	
2310ME-3351	On/Off Switch Assembly	V
2313(4)ME-3971	Cylinder Only	F, S, H, V
	<i>Includes solenoid only – no other electronic components, Screw pack (WMS standard – please specify other). Cylinder assembly is sized, please specify (not adjustable)</i>	
2313(4)ME-3971B80	Cylinder Only w/B80	F, S, H, V
	<i>Includes solenoid only – no other electronic components, Screw pack (WMS standard – please specify other). Cylinder assembly is sized, please specify (not adjustable)</i>	
2313(4)ME-3971B140	Cylinder Only w/B140	F, S, H, V
	<i>Includes solenoid only – no other electronic components, Screw pack (WMS standard – please specify other). Cylinder assembly is sized, please specify (not adjustable)</i>	

## Finish Plate

2310ME-72	Finish Plates	F, H, S
	<i>Includes 2310ME-11, -12, &amp; -31 (2)</i>	

## Individual Finish Plate Parts

Individual finish plate parts for 2313(4)ME-3071, -3071B80, & -3071B140		
2310ME-11	Long Finish Plate	F, H
	<i>Includes 2310ME-31 (2)</i>	
2310ME-12	Short Finish Plate	F, H, S
	<i>Includes 2310ME-31 (2)</i>	
2310ME-31	Finish Plate Screw	F



Please specify finish (F), size (S), hand (H), & voltage (V) where indicated. See the latest edition of the LCN Catalog for part descriptions and specifications on many of the items shown above. List prices for items shown above can be located in the current LCN Price List.

# LCN 2310ME SERIES "Sentronic"

## Complete Arm Assemblies

2310ME-3077T	Arm Assembly	F, H
	<i>Includes 2310ME-159 &amp; -425</i>	

## Individual Arm Parts

Individual arm parts for 2310ME-3077T

2310ME-159	Arm Screw	F
2310ME-425	Roller Locking Screw	F
2310ME-3034	Track Roller	

## Complete Track Assemblies

2310ME-3038	Standard Track
-------------	----------------

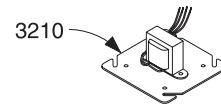
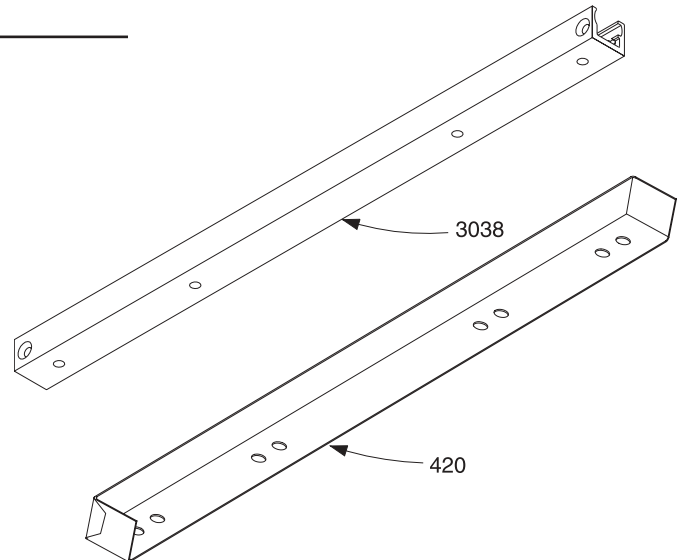
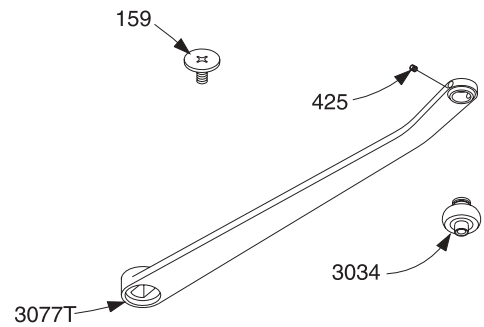
## Individual Track Parts

Individual track parts for 2310ME-3038

2310ME-3034	Track Roller
-------------	--------------

## Installation Accessories

2310ME-420	Fire Shield	
4040SE-3210	Transformer	V



Please specify finish (F), size (S), hand (H), & voltage (V) where indicated. See the latest edition of the LCN Catalog for part descriptions and specifications on many of the items shown above. List prices for items shown above can be located in the current LCN Price List.