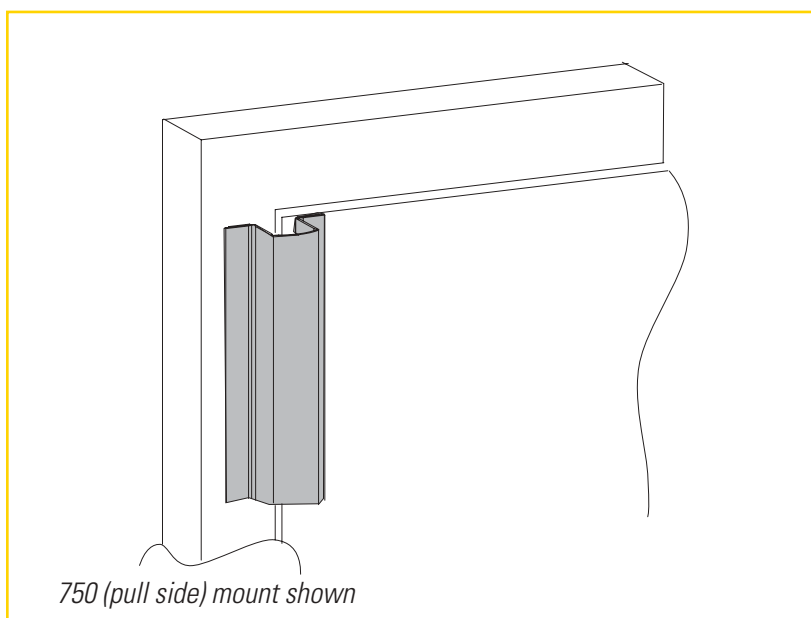
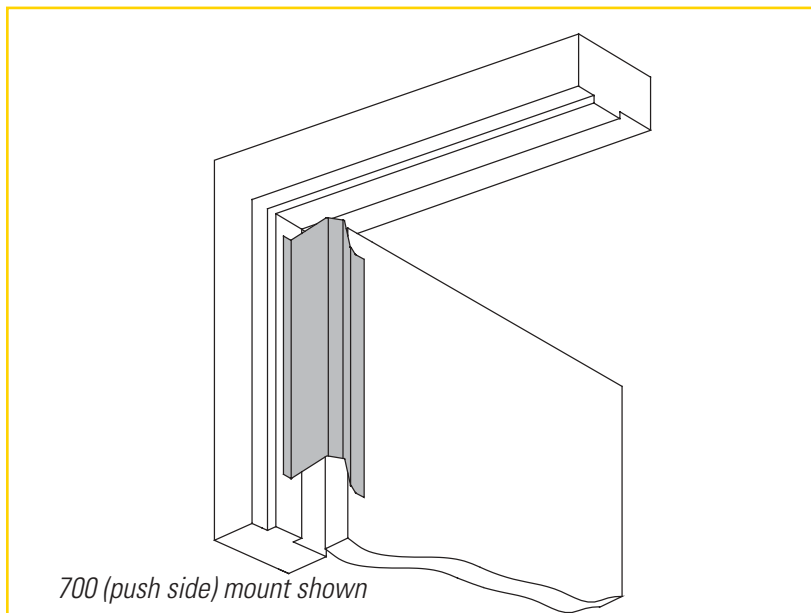




The LCN Safety Guard is a heavy duty vinyl product that covers the opening between the door and frame, where most hand injuries occur. The Safety Guard can be mounted on most existing metal or wood frames in commercial and residential buildings. It requires no special tools for installation and has been tested to over 1 million cycles.



Safety Guard General Information

- ▶ Use on any door where the potential for hand injury exists.
- ▶ Requires no special tools.
- ▶ **Safety-Guard** is in compliance with fire door requirements and the Americans With Disabilities Act (ADA)
- ▶ 82" in length, trim to fit.
- ▶ Limits door swing to 100°.
- ▶ Two year from date of manufacture.
- ▶ Butt hinges only.
- ▶ Axillary stop required.

HOW-TO-ORDER LCN SAFETY-GUARD

1. SELECT.

- 700 Push Side
- 750 Pull Side

2. SPECIFY FINISH.

- Aluminum
- Dark Bronze
- Tan