

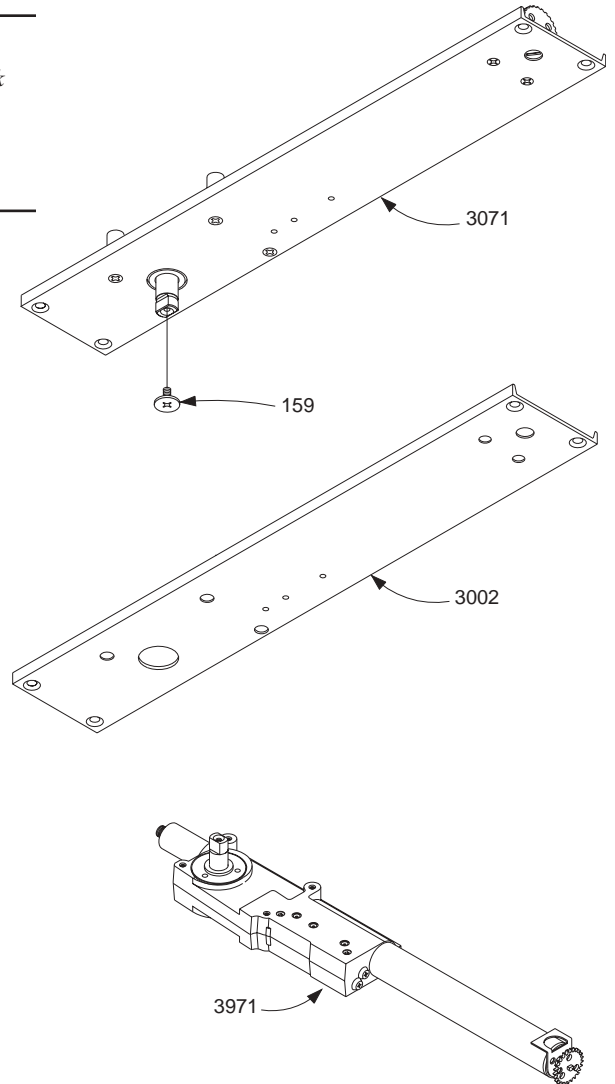
Cylinder Assemblies

5031(2-6)-3071 Cylinder Assembly F, S, H
Includes cylinder mounting/finish plate & screw pack
(WMS standard – please specify other)
Cylinder assembly is size specific (not adjustable)

Individual Cylinder Parts

Individual cylinder parts for 5030-3071

5030-159 Arm Screw F
 5030-3002 Finish Plate F, H
 5031(2-6)-3971 Cylinder Only F, S, H
Does not include mounting/finish plate
Cylinder assembly is size specific (not adjustable)



Please specify finish (**F**), size (**S**), hand (**H**), & voltage (**V**) where indicated. See the latest edition of the LCN Catalog for part descriptions and specifications on many of the items shown above. List prices for items shown above can be located in the current LCN Price List.

LCN 5030 SERIES "Pacer"

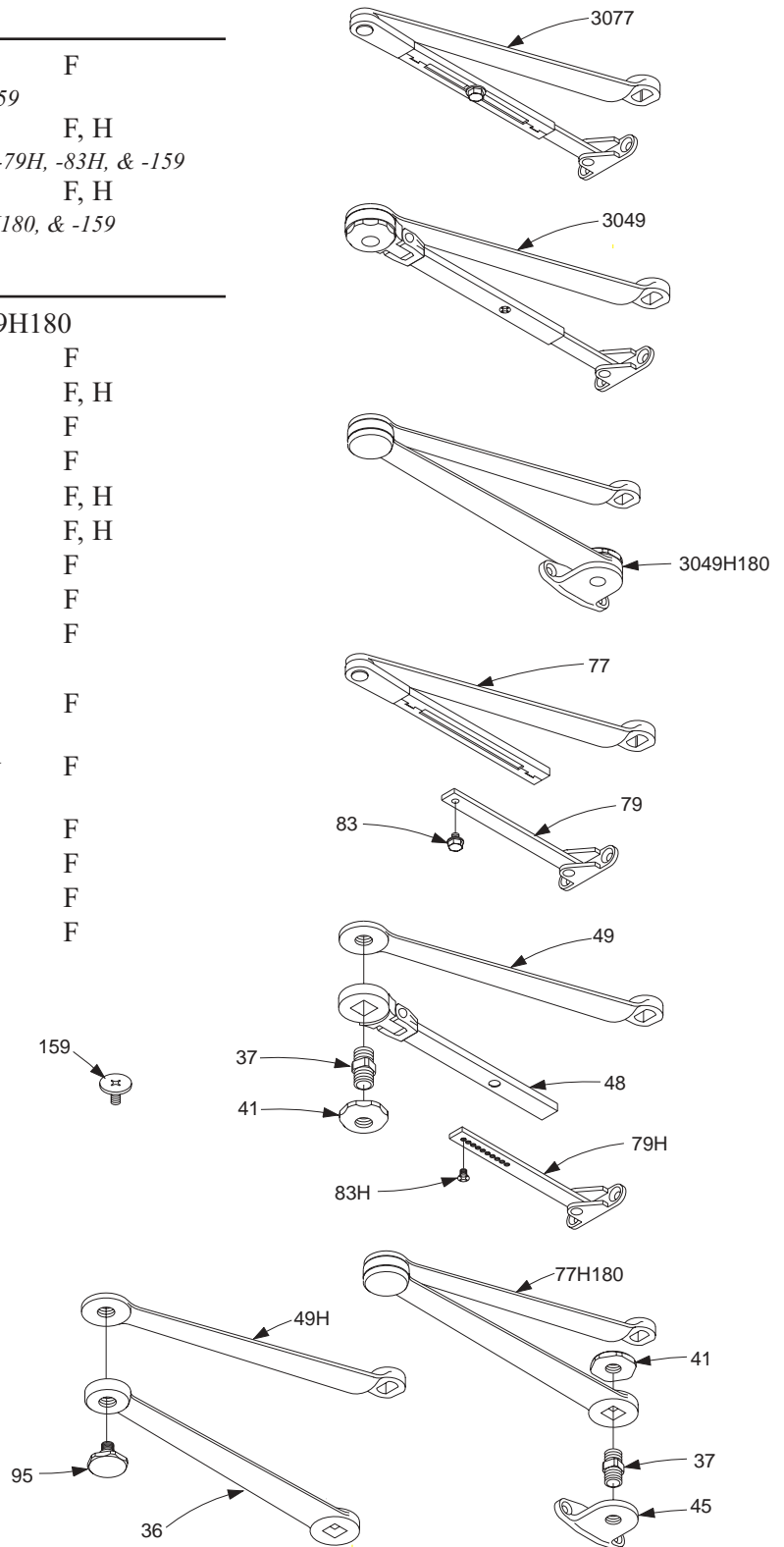
Complete Arm Assemblies

5030-3077	Regular Arm	F
	<i>Includes 5030-77, -79, -83, & -159</i>	
5030-3049	Hold-Open Arm	F, H
	<i>Includes 5030-37, -41, -48, -49, -79H, -83H, & -159</i>	
5030-3049H180	180 Hold-Open Arm	F, H
	<i>Includes 5030-37, -41, -45, -77H180, & -159</i>	

Individual Arm Parts

Individual arm parts for 5030-3077, -3049, & -3049H180

5030-36	H180 Forearm	F
5030-37	Hold-Open Stud	F, H
5030-41	Hold-Open Nut	F
5030-45	Hold-Open Shoe	F
5030-48	Forearm	F, H
5030-49	Hold-Open Main Arm	F, H
5030-49H	H180 Main Arm	F
5030-77	Main Arm & Forearm	F
5030-77H180	Arm Assembly	F
	<i>Includes 5030-159</i>	
5030-79	Rod & Shoe Assembly	F
	<i>Includes 5030-83</i>	
5030-79H	HO Rod & Shoe Assembly	F
	<i>Includes 5030-83H</i>	
5030-83	Arm Screw	F
5030-83H	H Arm Screw	F
5030-95	Arm Stud	F
5030-159	Arm Screw	F

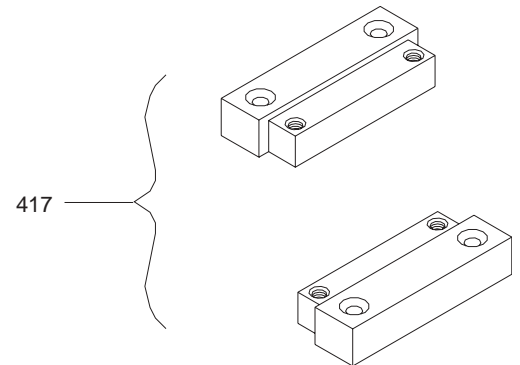
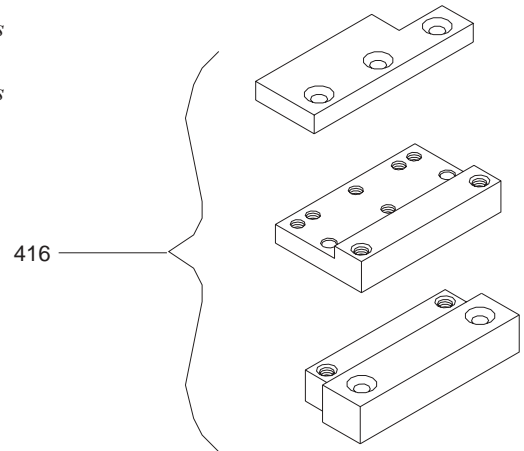


Please specify finish (F), size (S), hand (H), & voltage (V) where indicated. See the latest edition of the LCN Catalog for part descriptions and specifications on many of the items shown above. List prices for items shown above can be located in the current LCN Price List.

LCN 5030 SERIES "Pacer"

Installation Accessories

5030-416	Wood Mounting Clip Set	F
	<i>Mounts offset pivoted 5030 Series closer in wood frames</i>	
5030-417	Wood Mounting Clip Set	F
	<i>Mounts offset pivoted 5030 Series closer in wood frames</i>	



Please specify finish **(F)**, size **(S)**, hand **(H)**, & voltage **(V)** where indicated. See the latest edition of the LCN Catalog for part descriptions and specifications on many of the items shown above. List prices for items shown above can be located in the current LCN Price List.

LCN 5030 SERIES "Pacer"

Please specify finish **(F)**, size **(S)**, hand **(H)**, & voltage **(V)** where indicated. See the latest edition of the LCN Catalog for part descriptions and specifications on many of the items shown above. List prices for items shown above can be located in the current LCN Price List.