

## Cylinder Assemblies

5011(2-6)-3071	Cylinder Assembly	F, S, H
	<i>Includes cylinder mounting/finish plate &amp; screw pack (WMS standard – please specify other) Cylinder assembly is size specific (not adjustable)</i>	
5011(2-5)-3071DEL	Delay Cylinder Assembly	F, S, H
	<i>Includes cylinder mounting/finish plate &amp; screw pack (WMS standard – please specify other) Cylinder assembly is size specific (not adjustable)</i>	

## Individual Cylinder Parts

Individual cylinder parts for 5010-3071 & -3071DEL

5010-159	Arm Screw	F
5010-3002	Mounting/finish plate	F, S, H

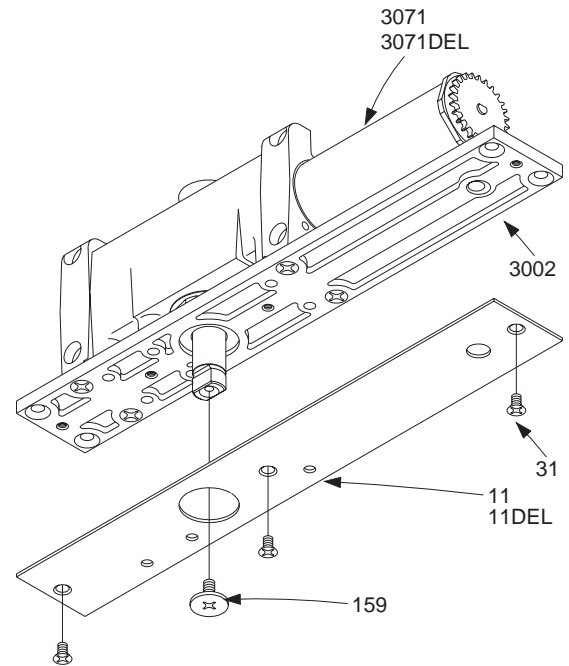
## Finish Plate

5010-11	Finish Plate	F, S, H
	<i>Includes 5010-31 (3)</i>	
5010-11DEL	Delay Finish Plate	F, S, H
	<i>Includes 5010-31 (3)</i>	

## Individual Finish Plate Parts

Individual finish plate parts for 5010-11 & -11DEL

5010-31	Finish Plate Screw	F
---------	--------------------	---



Please specify finish (**F**), size (**S**), hand (**H**), & voltage (**V**) where indicated. See the latest edition of the LCN Catalog for part descriptions and specifications on many of the items shown above. List prices for items shown above can be located in the current LCN Price List.

# LCN 5010 SERIES

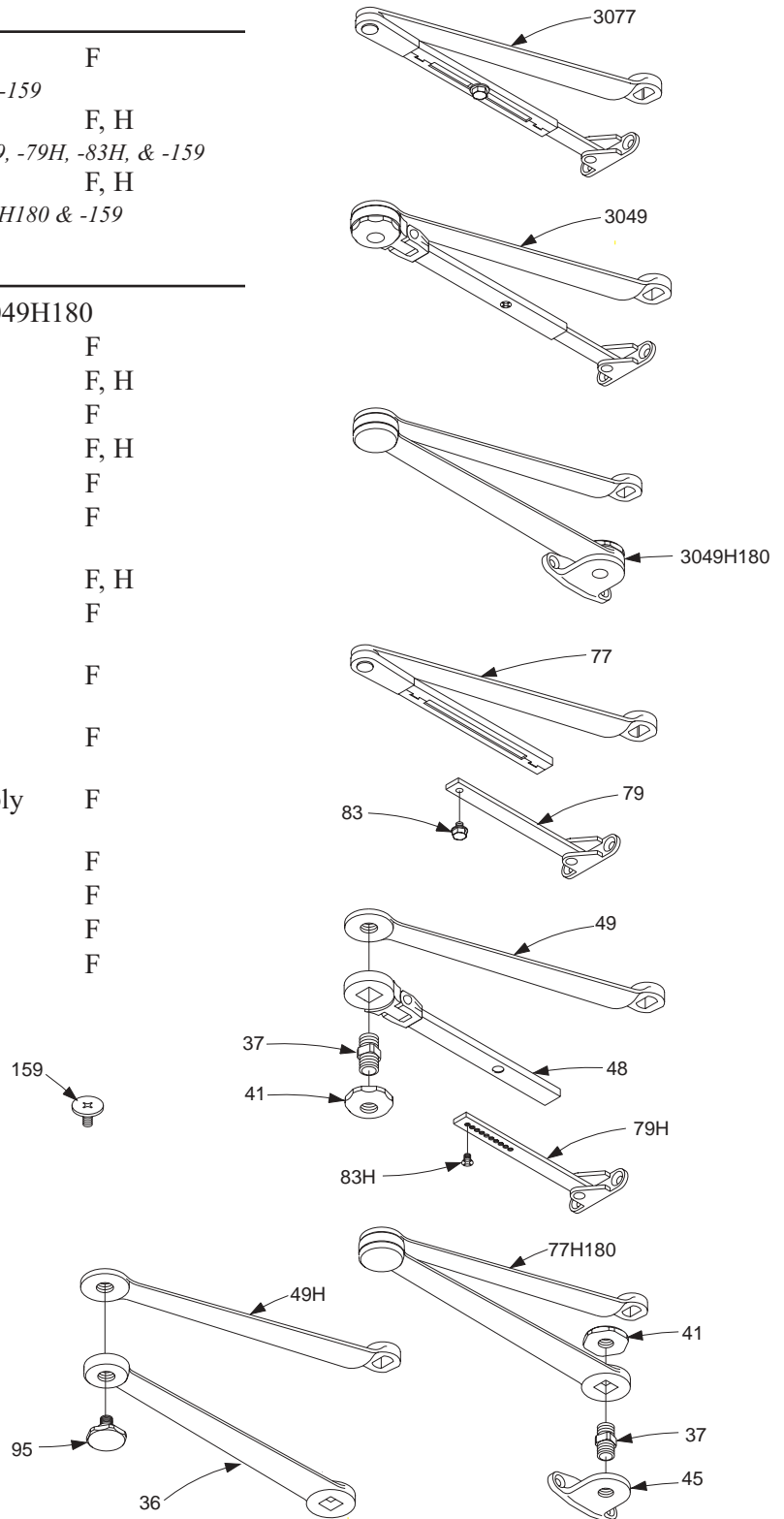
## Complete Arm Assemblies

5010-3077	Regular Arm	F
	<i>Includes 5010-77, -79, -83, &amp; -159</i>	
5010-3049	Hold-Open Arm	F, H
	<i>Includes 5010-37, -41, -48, -49, -79H, -83H, &amp; -159</i>	
5010-3049H180	180 Hold-Open Arm	F, H
	<i>Includes 5010-37, -41, -45, 77H180 &amp; -159</i>	

## Individual Arm Parts

Individual arm parts for 5010-3077, -3049, & -3049H180

5010-36	H180 Forearm	F
5010-37	Hold-Open Stud	F, H
5010-41	Hold-Open Nut	F
5010-45	Hold-Open Shoe	F, H
5010-48	Forearm	F
5010-49	Hold-Open Main Arm	F
	<i>Includes 5010-159</i>	
5010-49H	H180 Main Arm	F, H
5010-77	Main Arm & Forearm	F
	<i>Includes 5010-159</i>	
5010-77H180	Arm Assembly	F
	<i>Includes 5010-159</i>	
5010-79	Rod & Shoe Assembly	F
	<i>Includes 5010-83</i>	
5010-79H	HO Rod & Shoe Assembly	F
	<i>Includes 5010-83H</i>	
5010-83	Arm Screw	F
5010-83H	H Arm Screw	F
5010-95	Arm Stud	F
5010-159	Arm Screw	F



Please specify finish (F), size (S), hand (H), & voltage (V) where indicated. See the latest edition of the LCN Catalog for part descriptions and specifications on many of the items shown above. List prices for items shown above can be located in the current LCN Price List.