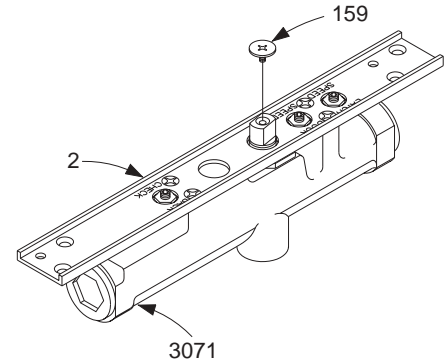


## Cylinder Assemblies

3131(2-3)-3071	Cylinder Assembly	F, S, H
	<i>Includes cylinder mounting/finish plate &amp; screw pack</i>	
	<i>(WMS standard – please specify other)</i>	
	<i>Cylinder assembly is size specific (not adjustable)</i>	



## Individual Cylinder Parts

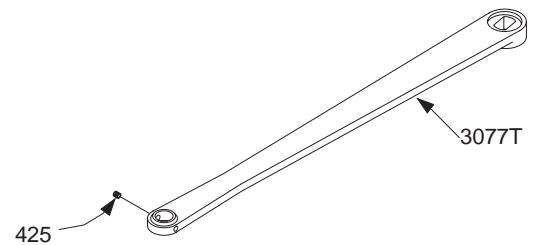
Individual cylinder parts for 3130-3071		
3130-2	Mounting/Finish Plate	F, S, H
3130-159	Arm Screw	F

## Complete Arm Assemblies

3130-3077T	Standard Arm	F, H
	<i>Includes 3130-159 &amp; -425</i>	

## Individual Arm Parts

Individual arm parts for 3130-3077T		
3130-159	Arm Screw	F
3130-425	Roller Locking Screw	F
3130-3034	Track Roller	



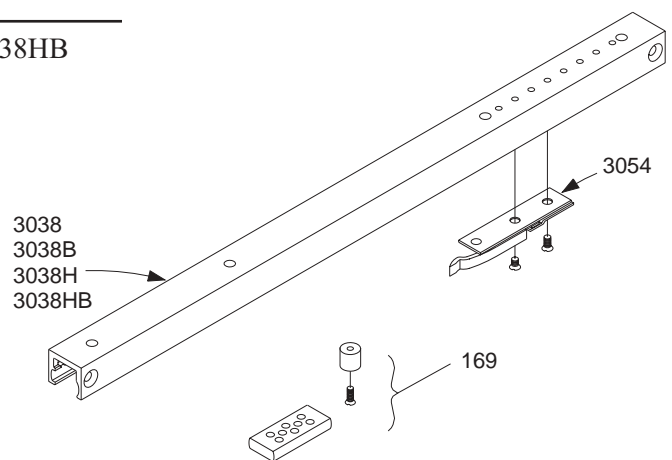
## Complete Track Assemblies

3130-3038	Standard Track	F
3130-3038B	Standard Track w/Bumper	F
	<i>Includes 3130-169</i>	
3130-3038H	Standard Track w/Hold-Open	F
	<i>Includes 3130 -3054</i>	
3130-3038HB	Standard Track w/HO & Bump	F
	<i>Includes 3130 -169, &amp; -3054</i>	



## Individual Track Parts

Individual track parts for 3130-3038, -3038B, 3038H, & -3038HB		
3130-169	Bumper Assembly	
	<i>Includes post &amp; mounting screws</i>	
3130-3034	Track Roller	
3130-3054	Hold-Open Spring Clip	
	<i>Includes mounting screws</i>	



Please specify finish (F), size (S), hand (H), & voltage (V) where indicated. See the latest edition of the LCN Catalog for part descriptions and specifications on many of the items shown above. List prices for items shown above can be located in the current LCN Price List.

# LCN 3130 SERIES

Please specify finish **(F)**, size **(S)**, hand **(H)**, & voltage **(V)** where indicated. See the latest edition of the LCN Catalog for part descriptions and specifications on many of the items shown above. List prices for items shown above can be located in the current LCN Price List.