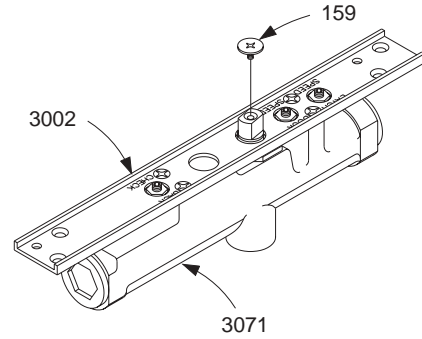


## Cylinder Assemblies

3031(2-4)-3071	Cylinder Assembly	F, S, H
	<i>Includes cylinder mounting/finish plate &amp; screw pack</i>	
	<i>(WMS standard – please specify other)</i>	
	<i>Cylinder assembly is size specific (not adjustable)</i>	



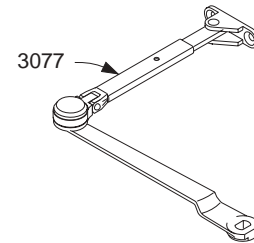
## Individual Cylinder Parts

Individual cylinder parts for 3030-3071

3030-159	Arm Screw	F
3030-3002	Mounting/Finish Plate	F, S, H

## Complete Arm Assemblies

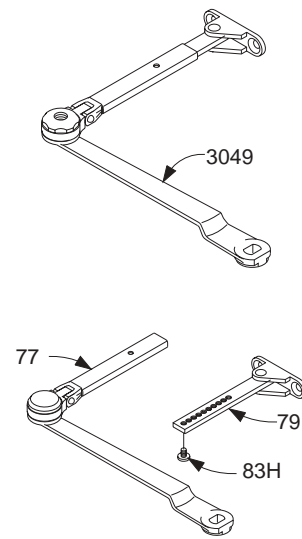
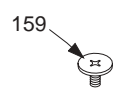
3030-3077	Regular Arm	F
	<i>Includes 3030-77, -79, -83 &amp; -159</i>	
3030-3049	Hold-Open Arm	F, H
	<i>Includes 3030-37, -41, -48, -49, -79H, -83H &amp; -159</i>	



## Individual Arm Parts

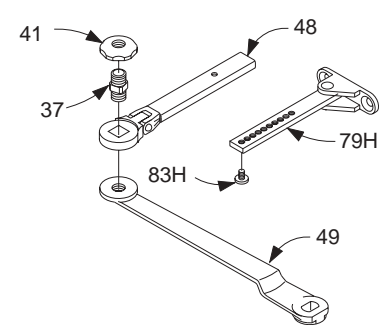
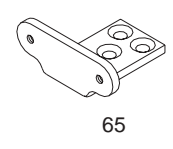
Individual arm parts for 3030-3077 & -3049

3030-37	Hold-Open Stud	F, H
3030-41	Hold-Open Nut	F
3030-48	Hold-Open Forearm	F
3030-49	Hold-Open Main Arm	F, H
	<i>Includes 3030-159</i>	
3030-77	Main Arm & Forearm	F
	<i>Includes 3030-159</i>	
3030-79	Rod & Shoe Assembly	F
	<i>Includes 3030-83H</i>	
3030-79H	HO Rod & Shoe Assemble	F
	<i>Includes 3030-83H</i>	
3030-83H	H Arm Screw	F
3030-159	Arm Screw	F



## Installation Accessories

3030-65	Soffit Shoe	F
---------	-------------	---



Please specify finish (F), size (S), hand (H), & voltage (V) where indicated. See the latest edition of the LCN Catalog for part descriptions and specifications on many of the items shown above. List prices for items shown above can be located in the current LCN Price List.

# LCN 3030 SERIES

Please specify finish **(F)**, size **(S)**, hand **(H)**, & voltage **(V)** where indicated. See the latest edition of the LCN Catalog for part descriptions and specifications on many of the items shown above. List prices for items shown above can be located in the current LCN Price List.