

## Cylinder Assemblies

2011(3-6)-3071	Cylinder Assembly	F, S, H
	<i>Includes cylinder mounting/finish plate &amp; screw pack</i>	
	<i>(WMS standard – please specify other)</i>	
	<i>Cylinder assembly is size specific (not adjustable)</i>	

## Individual Cylinder Parts

Individual cylinder parts for 2010-3071

2010-159	Arm Screw	F
----------	-----------	---

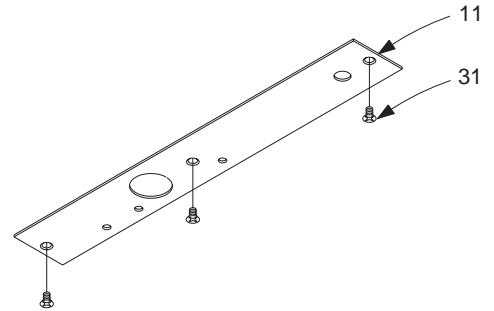
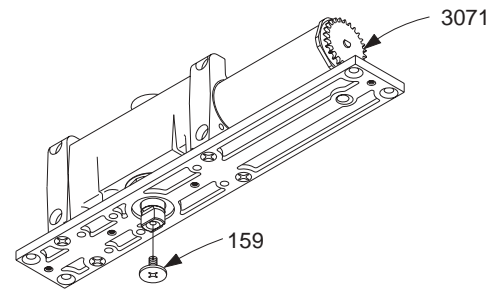
## Finish Plate

2010-11	Finish Plate	F, S, H
	<i>Includes 2010-31 (3)</i>	

## Individual Finish Plate Parts

Individual finish plate parts for 2010-11

2010-31	Finish Plate Screw	F
---------	--------------------	---



Please specify finish (**F**), size (**S**), hand (**H**), & voltage (**V**) where indicated. See the latest edition of the LCN Catalog for part descriptions and specifications on many of the items shown above. List prices for items shown above can be located in the current LCN Price List.

# LCN 2010 SERIES

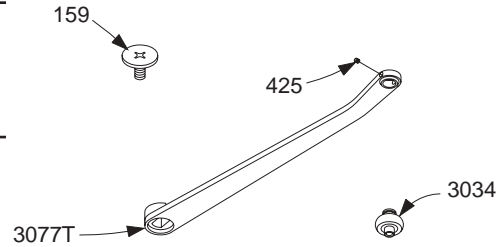
## Complete Arm Assemblies

2010-3077T Standard Arm F, H  
Includes 2010-159 & -425

## Individual Arm Parts

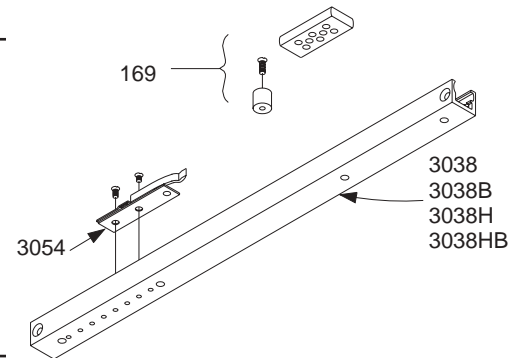
Individual arm parts for 2010-3077T

2010-159 Arm Screw F  
2010-425 Roller Locking Screw  
2010-3034 Track Roller



## Complete Track Assemblies

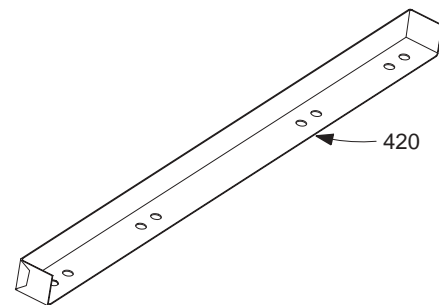
2010-3038 Standard Track F  
2010-3038B Standard Track w/Bumper F  
Includes 2010-169  
2010-3038H Standard Track w/Hold-Open F  
Includes 2010-3054  
2010-3038HB Standard Track w/HO & Bump F  
Includes 2010-169, & -3054



## Individual Track Parts

Individual track parts for 2010-3038, -3038B, 3038H, & -3038HB

2010-169 Bumper Assembly  
Includes post & mounting screws  
2010-3034 Track Roller  
2010-3054 Hold-Open Spring Clip  
Includes mounting screws



## Installation Accessories

2010-420 Fire Shield

Please specify finish (F), size (S), hand (H), & voltage (V) where indicated. See the latest edition of the LCN Catalog for part descriptions and specifications on many of the items shown above. List prices for items shown above can be located in the current LCN Price List.