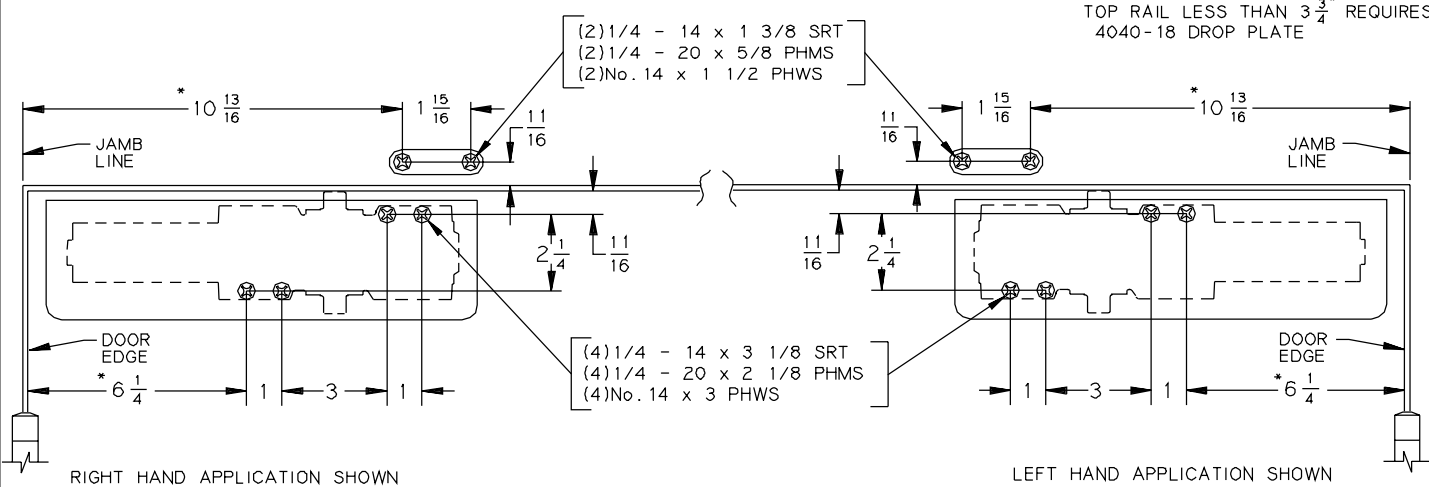


PULL SIDE MTG ON R.H. OR L.H. DOOR

4041 } HOLD OPEN (85° TO 120°)
 } MAXIMUM OPENING 120°

TOP RAIL LESS THAN 3 3/4" REQUIRES
 4040-18 DROP PLATE



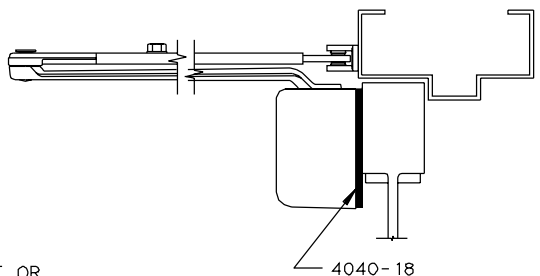
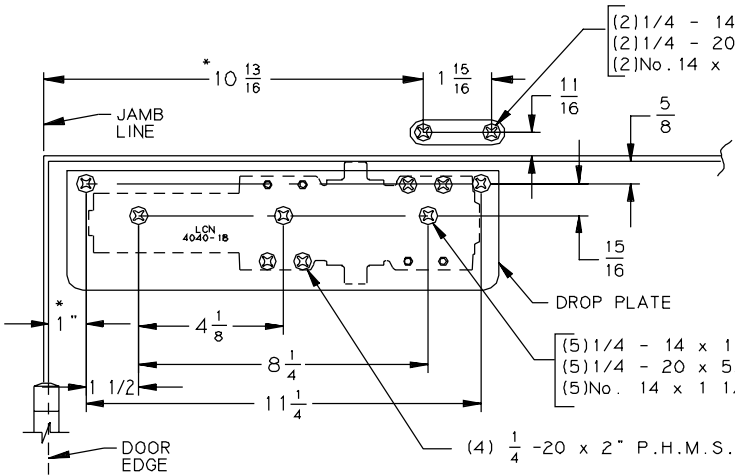
RIGHT HAND APPLICATION SHOWN

LEFT HAND APPLICATION SHOWN

PULL SIDE MTG ON 4040-18 DROP PLATE

4041 } HOLD OPEN (85° TO 120°)
 } MAXIMUM OPENING 120°

MIN. TOP RAIL 2"



RIGHT HAND DOOR SHOWN, LEFT HAND OPPOSITE

GENERAL NOTES-

1. LOCATE CLOSER & SHOE FROM C OF PIVOT.
2. REINFORCING PER ANSI/SDI-100 RECOMMENDED FOR HOLLOW METAL DOORS AND FRAMES.
3. DELAYED ACTION OPTIONAL (REQUIRES 4040DA TEMPLATE)
4. CLOSER SIZE 12 1/4 x 3 1/2 x 2 5/32.
5. BUTT HINGES SHOULD NOT EXCEED 5" IN WIDTH.
- * 6. FOR OFFSET PIVOTS INCREASE THIS DIMENSION BY 1/8".

AUXILIARY STOP RECOMMENDED

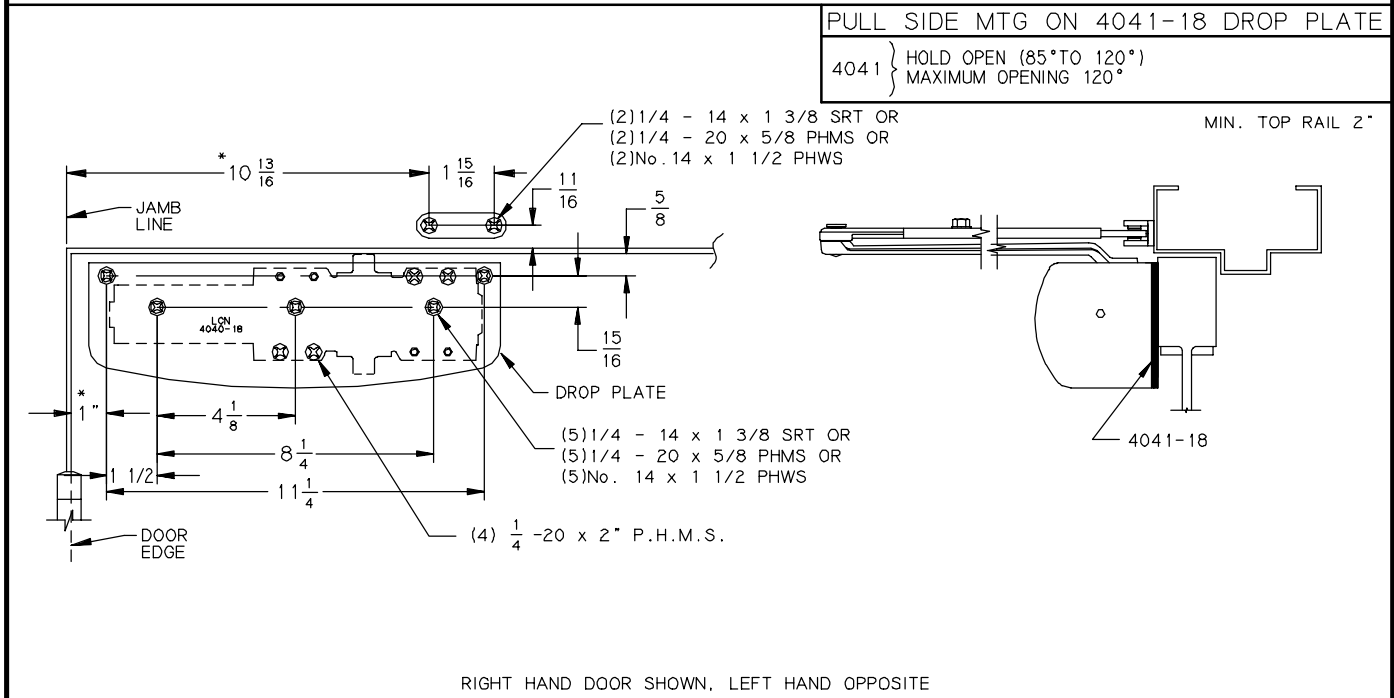
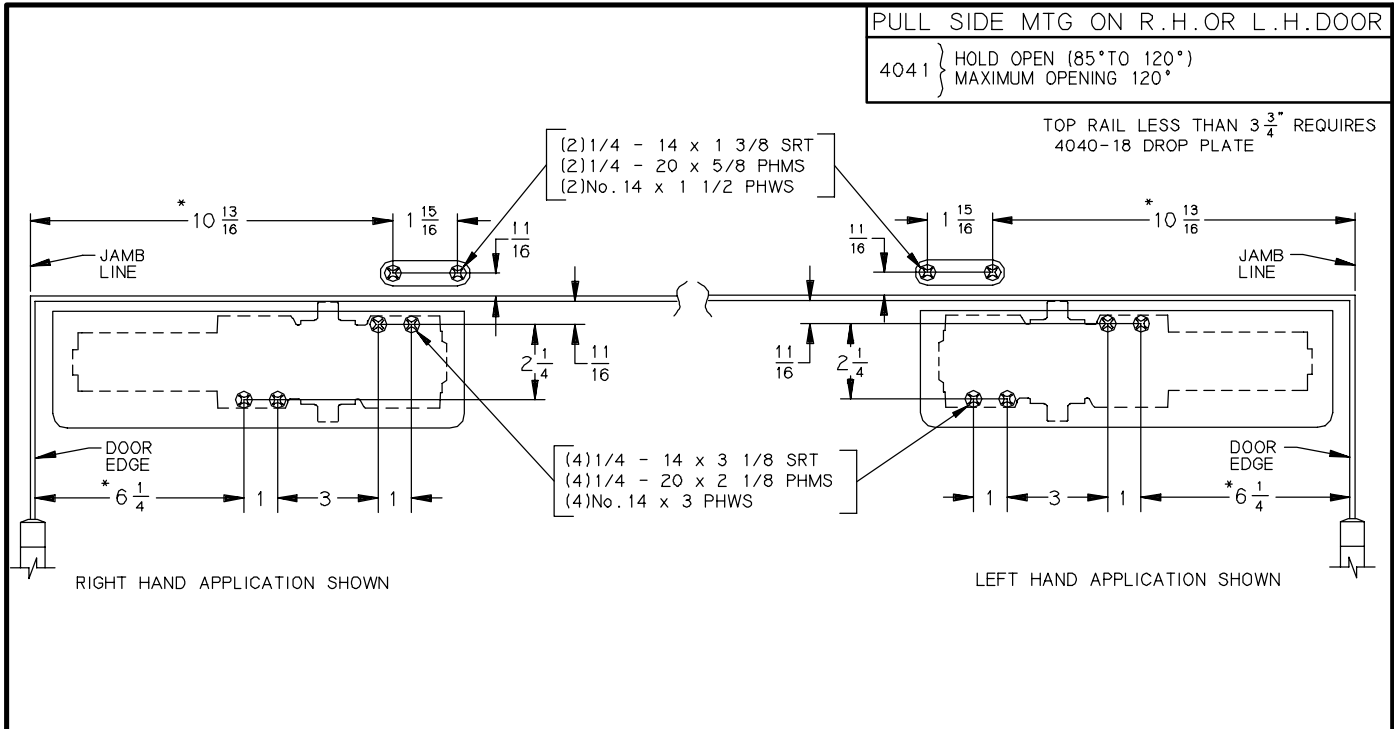
INCH	1/4	5/8	11/16	15/16	1	1 1/2	1 15/16	2	2 1/8	2 5/32	
M.M.	6	16	18	24	25	38	49	51	54	55	
INCH	2 1/4	3	3 1/2	3 3/4	4 1/8	5	6 1/4	8 1/4	10 13/16	11 1/4	12 1/4
M.M.	57	76	89	95	105	127	159	210	275	286	311

No.	REVISION	BY	DATE
2	TEMPLATE UPDATE	JEJ	6/96
3	SCREW CALL OUTS	NJM	5/00

LCN®
 APP BY JEJ 6/96
 DO NOT SCALE

4041 NON-HANDED REGULAR CLOSER
 (PULL SIDE) MOUNTED ON R.H. OR L.H. DOORS

4041 (PULL SIDE)



GENERAL NOTES-

1. LOCATE CLOSER & SHOE FROM ϕ OF PIVOT.
2. REINFORCING PER ANSI/SDI-100 RECOMMENDED FOR HOLLOW METAL DOORS AND FRAMES.
3. DELAYED ACTION OPTIONAL (REQUIRES 4040DA TEMPLATE)
4. CLOSER SIZE 12 1/4 x 3 1/2 x 2 5/32.
5. BUTT HINGES SHOULD NOT EXCEED 5" IN WIDTH.
- * 6. FOR OFFSET PIVOTS INCREASE THIS DIMENSION BY 1/8".

AUXILIARY STOP RECOMMENDED

INCH	1/4	5/8	11/16	15/16	1	1 1/2	1 15/16	2	2 1/8	2 5/32	
M.M.	6	16	18	24	25	38	49	51	54	55	
INCH	2 1/4	3	3 1/2	3 3/4	4 1/8	5	6 1/4	8 1/4	10 13/16	11 1/4	12 1/4
M.M.	57	76	89	95	105	127	159	210	275	286	311

No.	REVISION	BY	DATE

LCN®

APP BY NJM 6/00
DO NOT SCALE

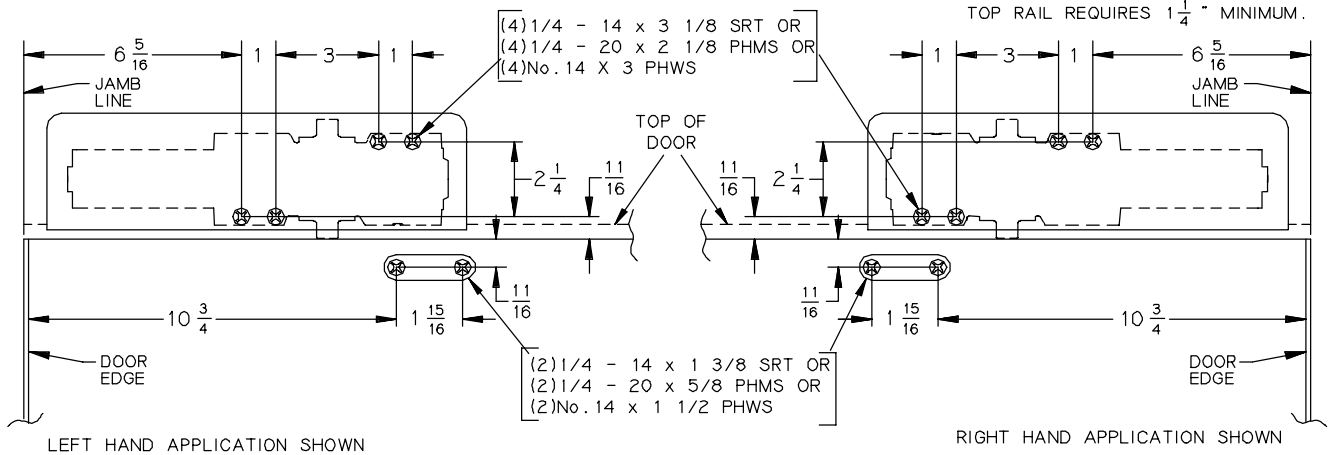
4041 NON-HANDED REGULAR CLOSER
(PULL SIDE) MOUNTED ON R.H. OR L.H. DOORS

4041DS (PULL SIDE)

THIS APPLICATION REQUIRES A FLUSH PANEL
HEADER HAVING MAXIMUM 1/2 RABBET OR
SINGLE RABBETED FRAMES WITH MINIMUM 3 1/2 FACE.

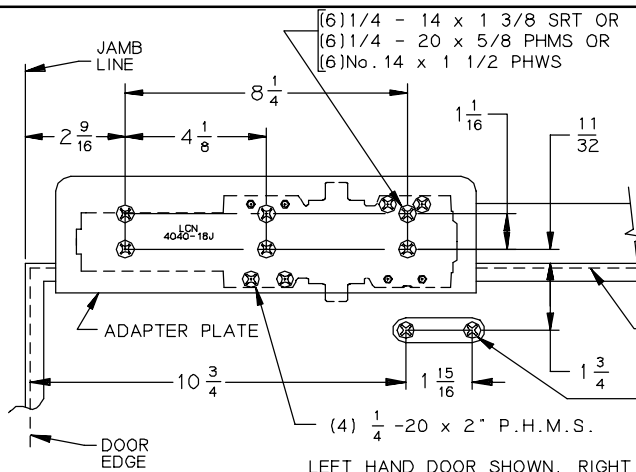
PUSH SIDE MTG ON R.H. OR
L.H. DOOR APPLIES TO:

4041 } HOLD OPEN (85° TO 120°)
MAXIMUM OPENING 120°



LEFT HAND APPLICATION SHOWN

RIGHT HAND APPLICATION SHOWN

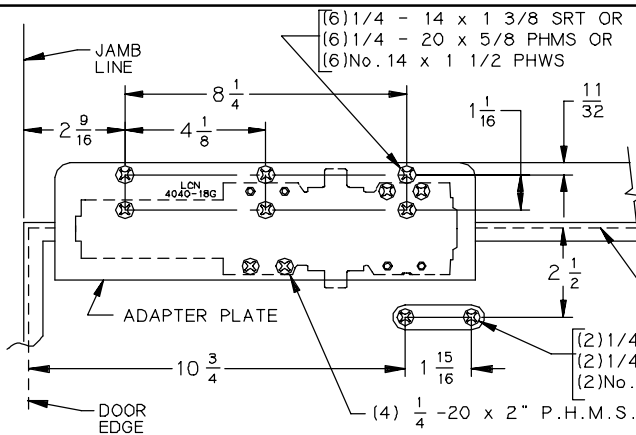
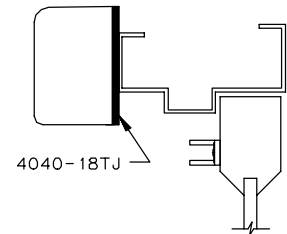


LEFT HAND DOOR SHOWN, RIGHT HAND OPPOSITE

PUSH SIDE MTG ON 4040-18TJ
DROP PLATE APPLIES TO:

4041 } HOLD OPEN (85° TO 120°)
MAXIMUM OPENING 120°

TOP RAIL REQUIRES 2 1/4\"/>

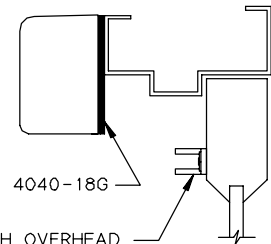


LEFT HAND DOOR SHOWN, RIGHT HAND OPPOSITE

PUSH SIDE MTG ON 4040-18G
DROP PLATE APPLIES TO:

4041 } HOLD OPEN (85° TO 120°)
MAXIMUM OPENING 120°

TOP RAIL REQUIRES 3\"/>



FOR USE WITH OVERHEAD
STOPS, SHOE MUST BE
LOWERED TO CLEAR HOLDER.

GENERAL NOTES-

AUXILIARY STOP RECOMMENDED

1. LOCATE CLOSER & SHOE FROM \varnothing OF PIVOT OR SWING CLEAR HINGE PIN IF USED.
2. REINFORCING PER ANSI/SDI-100 RECOMMENDED FOR HOLLOW METAL DOORS AND FRAMES.
3. DELAYED ACTION OPTIONAL (REQUIRES 4040DA TEMPLATE)
4. CLOSER SIZE 12 1/4 x 3 1/2 x 2 5/32.
5. BUTT HINGES SHOULD NOT EXCEED 5\"/>

INCH	1/4	11/32	1/2	5/8	11/16	1	1 1/16	1 1/4	1 1/2
M.M.	6	9	13	16	18	25	27	32	38

INCH	1 3/4	1 15/16	2	2 1/8	2 5/32	2 1/4	2 1/2	2 9/16	3
M.M.	45	49	51	54	55	57	64	65	76

INCH	3 1/2	4 1/8	4 1/2	4 13/16	5	6 5/16	8	8 1/4	10 3/4	12 1/4
M.M.	89	105	114	122	127	160	203	210	273	311

No.	REVISION	BY	DATE
2	TEMPLATE UPDATE	JEJ	6/96
3	SCREW CALL OUTS	NJM	5/00

LCN®

APP
BY JEJ 6/96
DO NOT SCALE

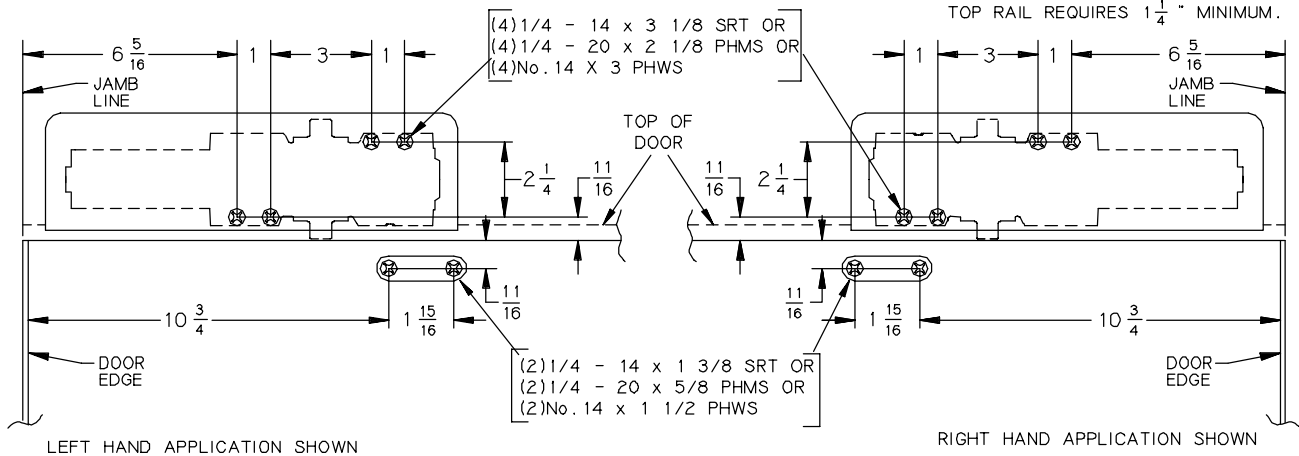
4041 NON-HANDED REGULAR CLOSER
(PUSH SIDE) MOUNTED ON R.H. OR L.H. DOORS

4041 (PUSH SIDE)

THIS APPLICATION REQUIRES A FLUSH PANEL
HEADER HAVING MAXIMUM 1/2 RABBIT OR
SINGLE RABBETED FRAMES WITH MINIMUM 3 1/2 FACE .

PUSH SIDE MTG ON R.H. OR
L.H. DOOR APPLIES TO:

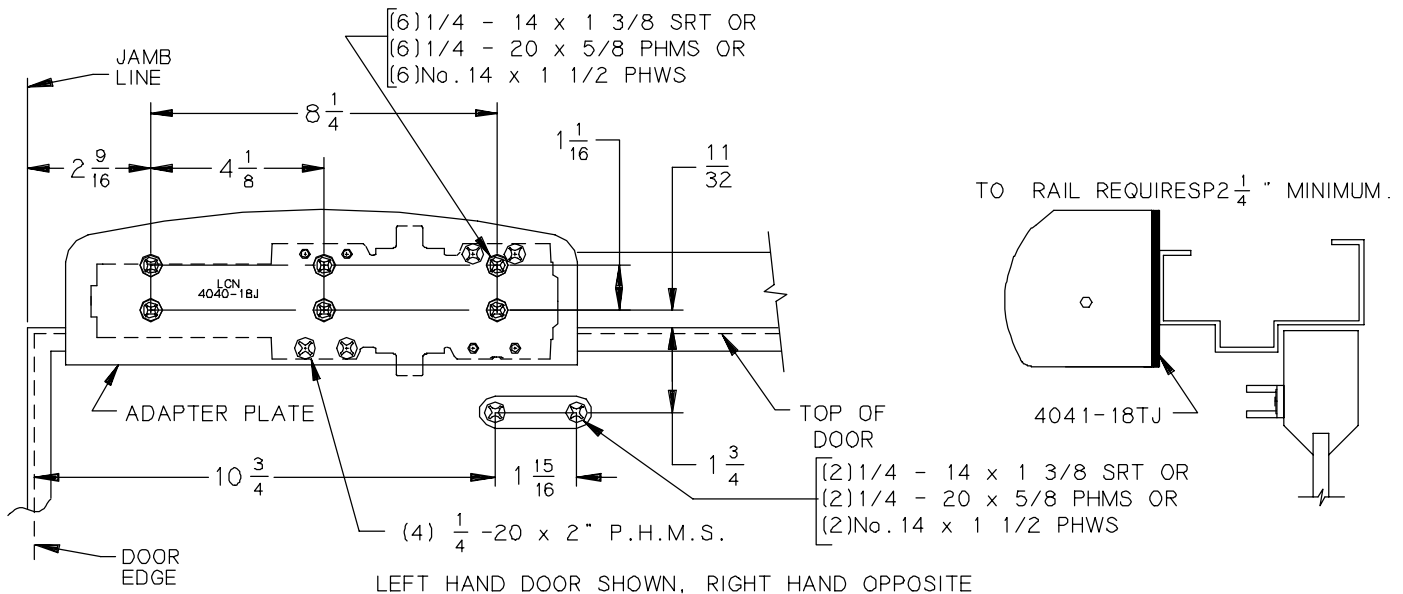
4041 } HOLD OPEN (85° TO 120°)
MAXIMUM OPENING 120°



MAXIMUM REVEAL OF 2 9/16.
FOR REVEALS 2 5/8 - 4 13/16
SPECIFY LONG ROD.
FOR REVEALS 8"
SPECIFY EXTRA LONG ROD.

PUSH SIDE MTG ON 4041-18TJ
DROP PLATE APPLIES TO:

4041 } HOLD OPEN (85° TO 120°)
MAXIMUM OPENING 120°



GENERAL NOTES-

AUXILIARY STOP RECOMMENDED

1. LOCATE CLOSER & SHOE FROM ϕ OF PIVOT OR SWING CLEAR HINGE PIN IF USED.
2. REINFORCING PER ANSI/SDI-100 RECOMMENDED FOR HOLLOW METAL DOORS AND FRAMES.
3. DELAYED ACTION OPTIONAL (REQUIRES 4040DA TEMPLATE)
4. CLOSER SIZE 12 1/4 x 3 1/2 x 2 5/32.
5. BUTT HINGES SHOULD NOT EXCEED 5" IN WIDTH.

INCH	1/4	11/32	1/2	5/8	11/16	1	1 1/16	1 1/4	1 1/2	
M.M.	6	9	13	16	18	25	27	32	38	
INCH	3 1/4	4 1/16	2	2 1/8	2 5/32	2 1/4	2 1/2	2 9/16	3	
M.M.	45	49	51	54	55	57	64	65	76	
INCH	3 1/2	4 1/8	4 1/2	4 13/16	5	6 5/16	8	8 1/4	10 3/4	12 1/4
M.M.	89	105	114	122	127	160	203	210	273	311

No.	REVISION	BY	DATE

LCN[®]

APP
BY NJM 6/00
DO NOT SCALE

4041 NON-HANDED REGULAR CLOSER
(PUSH SIDE) MOUNTED ON R.H. OR L.H. DOORS

4041DS (PUSH SIDE)

IMPORTANT

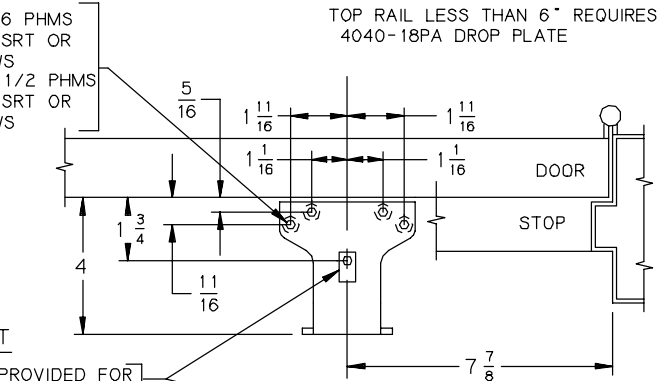
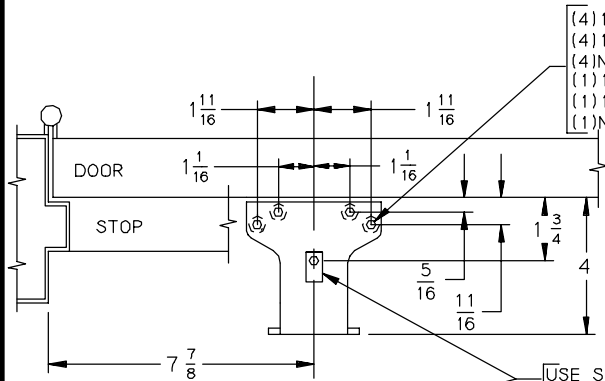
BEFORE INSTALLING CLOSER, TURN BACKCHECK SELECTOR VALVE (FOUND ON OPPOSITE SIDE OF CLOSER FROM REGULATING SCREW SIDE) ALL THE WAY IN (CLOCKWISE)

**PARALLEL ARM (PUSH SIDE)
MOUNTING ON R.H. OR L.H. DOORS**

4041 } HOLD OPEN (UP TO 180°)
} MAXIMUM OPENING 180°

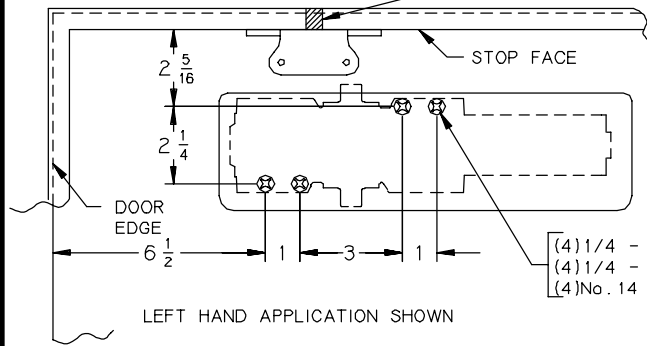
TOP RAIL LESS THAN 6" REQUIRES
4040-18PA DROP PLATE

- (4) 1/4 - 20 x 5/6 PHMS
- (4) 1/4 - 14 x 2 SRT OR
- (4) No. 14 x 2 PHWS
- (1) 1/4 - 20 x 1 1/2 PHMS
- (1) 1/4 - 14 x 2 SRT OR
- (1) No. 14 x 2 PHWS

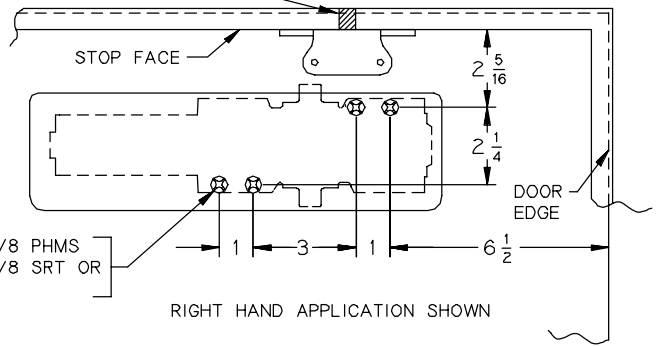


IMPORTANT

USE SPACER BLOCK PROVIDED FOR
FIFTH SCREW. 1/2 OR 5/8



LEFT HAND APPLICATION SHOWN



RIGHT HAND APPLICATION SHOWN

- (4) 1/4 - 20 x 2 1/8 PHMS
- (4) 1/4 - 14 x 3 1/8 SRT OR
- (4) No. 14 x 3 PHWS

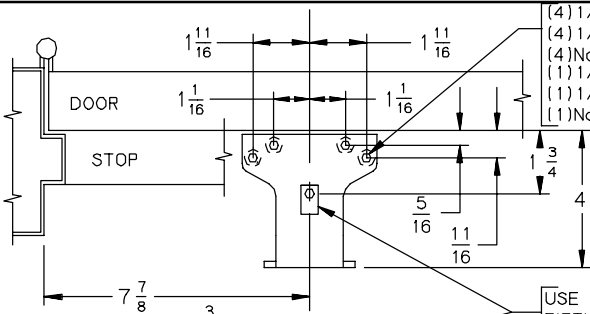
**PARALLEL ARM (PUSH SIDE)
MOUNTING ON 4040-18PA DROP PLATE**

4041 } HOLD OPEN (UP TO 180°)
} MAXIMUM OPENING 180°

IMPORTANT TOP RAIL 2 1/2" MIN.

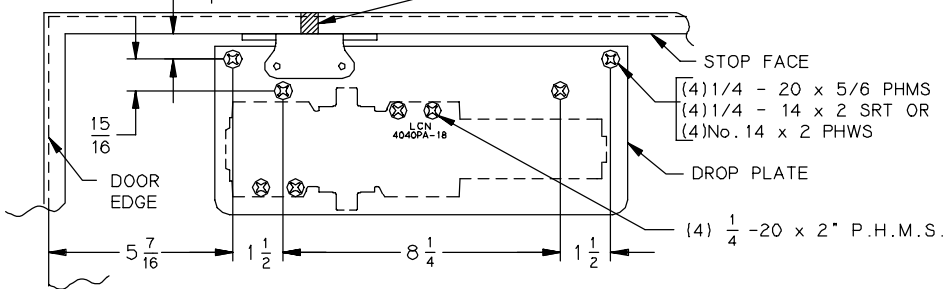
BEFORE INSTALLING CLOSER, TURN BACKCHECK SELECTOR VALVE (FOUND ON OPPOSITE SIDE OF CLOSER FROM REGULATING SCREW SIDE) ALL THE WAY IN (CLOCKWISE)

- (4) 1/4 - 20 x 5/6 PHMS
- (4) 1/4 - 14 x 2 SRT OR
- (4) No. 14 x 2 PHWS
- (1) 1/4 - 20 x 1 1/2 PHMS
- (1) 1/4 - 14 x 2 SRT OR
- (1) No. 14 x 2 PHWS

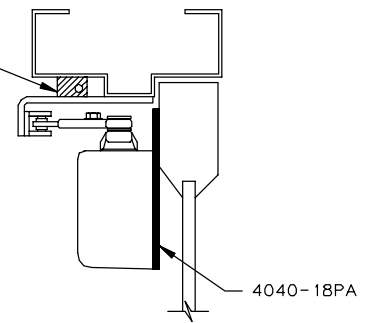


IMPORTANT

USE SPACER BLOCK PROVIDED FOR
FIFTH SCREW. 1/2 OR 5/8



LEFT HAND DOOR SHOWN, RIGHT HAND OPPOSITE



GENERAL NOTES-

AUXILIARY STOP RECOMMENDED

1. LOCATE CLOSER & SHOE FROM C OF PIVOT OR SWING CLEAR HINGE PIN IF USED.
2. REINFORCING PER ANSI/SDI-100 RECOMMENDED FOR HOLLOW METAL DOORS AND FRAMES.
3. DELAYED ACTION OPTIONAL (REQUIRES 4040DA TEMPLATE)
4. CLOSER SIZE 12 1/4 x 3 1/2 x 2 5/32.
5. BUTT HINGES SHOULD NOT EXCEED 5" IN WIDTH.

INCH	1/4	5/16	1/2	5/8	11/16	3/4	15/16	1
M.M.	6	8	13	16	18	19	24	25

INCH	1 1/16	1 1/2	1 11/16	1 3/4	2	2 1/8	2 5/32	2 1/4	2 5/16
M.M.	27	38	43	45	51	54	55	57	59

INCH	3	3 1/2	4	5	5 7/16	6 1/2	7 7/8	8 1/4	12 1/4
M.M.	76	89	102	127	138	165	200	210	311

No.	REVISION	BY	DATE
2	TEMPLATE UPDATE	JEJ	6/96
3	SCREW CALL OUTS	NJM	5/00

LCN®

APP BY JEJ 6/96
DO NOT SCALE

4041 NON-HANDED REGULAR CLOSER PARALLEL ARM (PUSH SIDE) MTG. ON R.H. OR L.H. DOORS

4041 (PUSH SIDE PA)

IMPORTANT

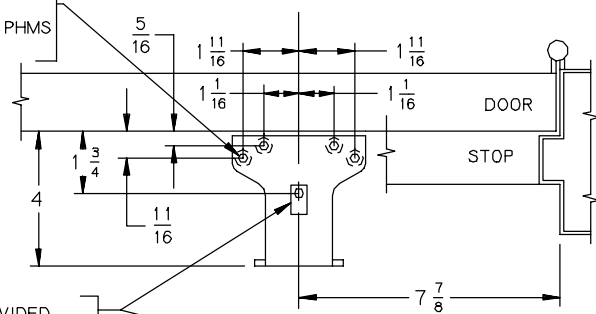
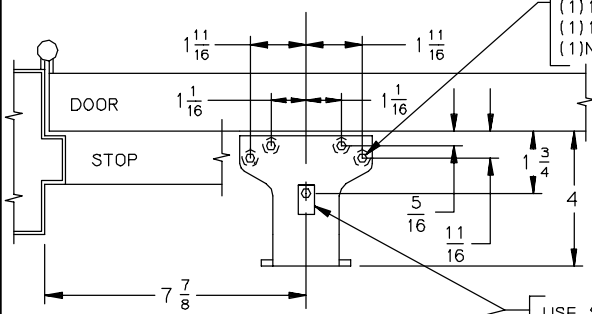
BEFORE INSTALLING CLOSER, TURN BACKCHECK SELECTOR VALVE (FOUND ON OPPOSITE SIDE OF CLOSER FROM REGULATING SCREW SIDE) ALL THE WAY IN (CLOCKWISE)

**PARALLEL ARM (PUSH SIDE)
MOUNTING ON R.H. OR L.H. DOORS**

4041 } HOLD OPEN (UP TO 180°)
} MAXIMUM OPENING 180°

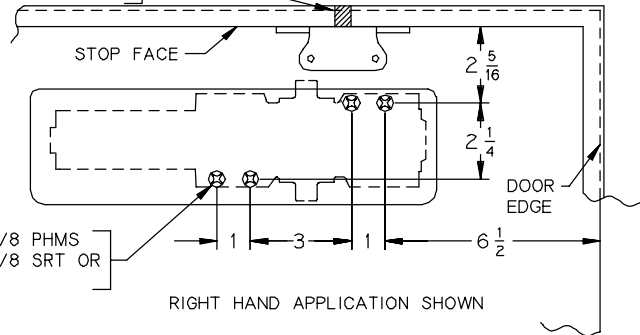
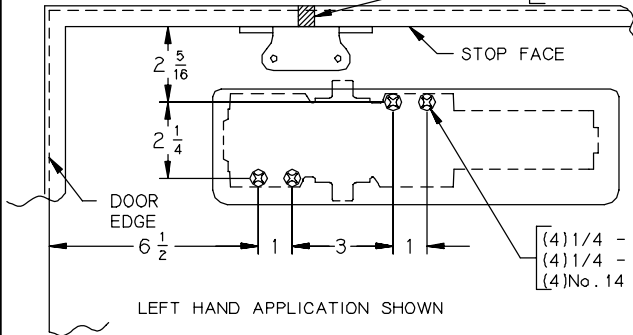
TOP RAIL LESS THAN 6" REQUIRES
4040-18PA DROP PLATE

- (4) 1/4 - 20 x 5/6 PHMS
- (4) 1/4 - 14 x 2 SRT OR
- (4) No. 14 x 2 PHWS
- (1) 1/4 - 14 x 2 SRT
- (1) 1/4 - 20 x 1 1/2 PHMS
- (1) No. 14 x 2 PHWS



IMPORTANT

USE SPACER BLOCK PROVIDED FOR FIFTH SCREW. 1/2 OR 5/8



LEFT HAND APPLICATION SHOWN

RIGHT HAND APPLICATION SHOWN

- (4) 1/4 - 20 x 2 1/8 PHMS
- (4) 1/4 - 14 x 3 1/8 SRT OR
- (4) No. 14 x 3 PHWS

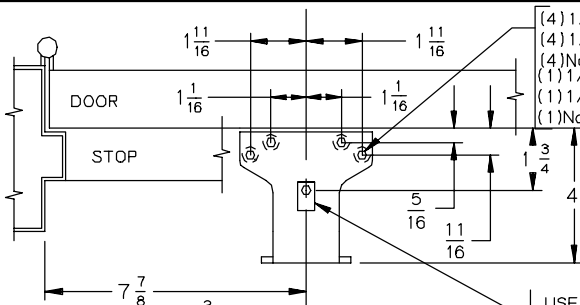
**PARALLEL ARM (PUSH SIDE)
MOUNTING ON 4041-18PA DROP PLATE**

4041 } HOLD OPEN (UP TO 180°)
} MAXIMUM OPENING 180°

IMPORTANT TOP RAIL 2 1/2" MIN.

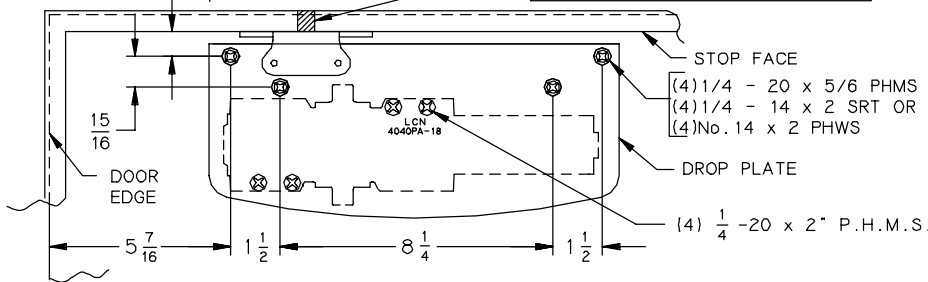
BEFORE INSTALLING CLOSER, TURN BACKCHECK SELECTOR VALVE (FOUND ON OPPOSITE SIDE OF CLOSER FROM REGULATING SCREW SIDE) ALL THE WAY IN (CLOCKWISE)

- (4) 1/4 - 20 x 5/6 PHMS
- (4) 1/4 - 14 x 2 SRT OR
- (4) No. 14 x 2 PHWS
- (1) 1/4 - 14 x 2 SRT
- (1) 1/4 - 20 x 1 1/2 PHMS
- (1) No. 14 x 2 PHWS

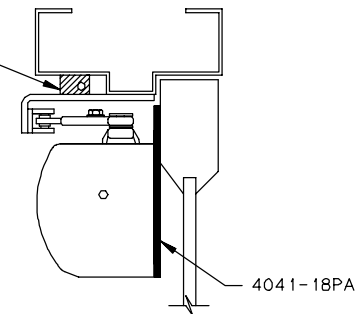


IMPORTANT

USE SPACER BLOCK PROVIDED FOR FIFTH SCREW. 1/2 OR 5/8



LEFT HAND DOOR SHOWN. RIGHT HAND OPPOSITE



- (4) 1/4 - 20 x 5/6 PHMS
- (4) 1/4 - 14 x 2 SRT OR
- (4) No. 14 x 2 PHWS

(4) 1/4 - 20 x 2" P.H.M.S.

GENERAL NOTES-

AUXILIARY STOP RECOMMENDED

1. LOCATE CLOSER & SHOE FROM C OF PIVOT OR SWING CLEAR HINGE PIN IF USED.
2. REINFORCING PER ANSI/SDI-100 RECOMMENDED FOR HOLLOW METAL DOORS AND FRAMES.
3. DELAYED ACTION OPTIONAL (REQUIRES 4040DA TEMPLATE)
4. CLOSER SIZE 12 1/4 x 3 1/2 x 2 5/32.
5. BUTT HINGES SHOULD NOT EXCEED 5" IN WIDTH.

INCH	1/4	5/16	1/2	5/8	11/16	3/4	15/16	1
M.M.	6	8	13	16	18	19	24	25

INCH	1 1/16	1 1/2	1 11/16	1 3/4	2	2 1/8	2 5/32	2 1/4	2 5/16
M.M.	27	38	43	45	51	54	55	57	59

INCH	3	3 1/2	4	5	5 7/16	6 1/2	7 7/8	8 1/4	12 1/4
M.M.	76	89	102	127	138	165	200	210	311

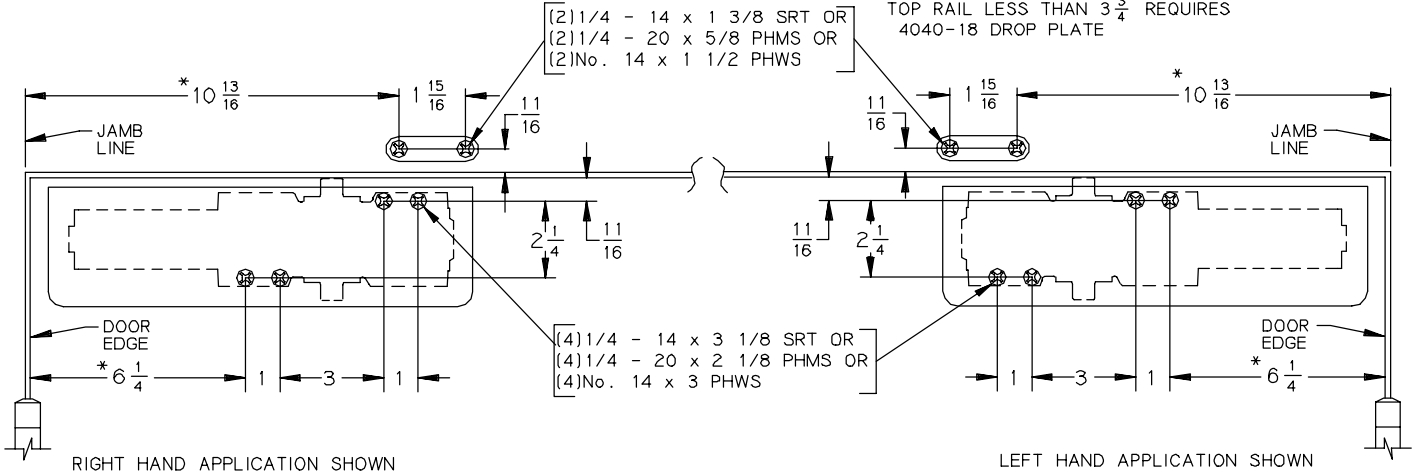
No.	REVISION	BY	DATE

LCN
 APP BY NJM 6/00
 DO NOT SCALE
 4041 NON-HANDED REGULAR CLOSER PARALLEL ARM (PUSH SIDE) MTG. ON R.H. OR L.H. DOORS
 4041DS (PUSH SIDE PA)

PULL SIDE MTG ON R.H. OR L.H. DOOR

404 1DA } HOLD OPEN (85° TO 120°)
 } MAXIMUM OPENING 120°

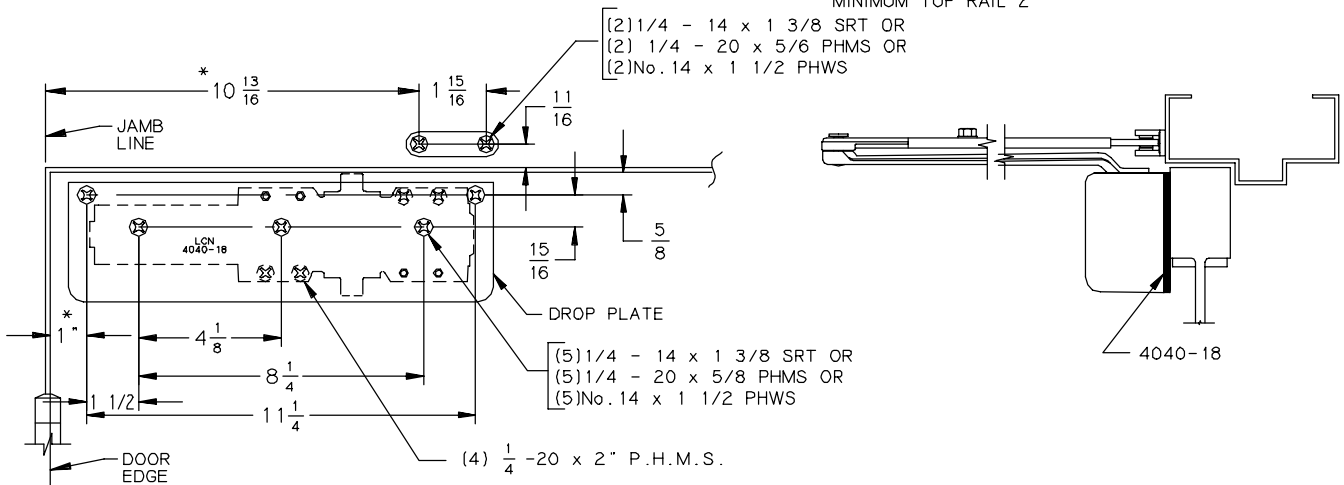
TOP RAIL LESS THAN 3 3/4" REQUIRES
 4040-18 DROP PLATE



PULL SIDE MTG ON 4040-18 DROP PLATE

404 1DA } HOLD OPEN (85° TO 120°)
 } MAXIMUM OPENING 120°

MINIMUM TOP RAIL 2"



RIGHT HAND DOOR SHOWN, LEFT HAND OPPOSITE

GENERAL NOTES-

1. LOCATE CLOSER & SHOE FROM C OF PIVOT IF USED.
2. REINFORCING PER ANSI/SDI-100 RECOMMENDED FOR HOLLOW METAL DOORS AND FRAMES.
3. CLOSER SIZE 12 1/4 x 3 1/2 x 2 5/32.
4. BUTT HINGES SHOULD NOT EXCEED 5" IN WIDTH.
- * 5. IF PIVOTS ARE USED. INCREASE THESE DIMENSIONS BY 1/8".

AUXILIARY STOP RECOMMENDED

INCH	1/4	5/8	11/16	15/16	1	1 1/2	1 15/16	2	2 1/8	2 5/32
M.M.	6	16	18	24	25	38	49	51	54	55

INCH	2 1/4	3	3 1/2	3 3/4	4 1/8	5	6 1/4	8 1/4	10 13/16	11 1/4	12 1/4
M.M.	57	76	89	95	105	127	159	210	275	286	311

No.	REVISION	BY	DATE
2	TEMPLATE UPDATE	JEJ	6/96
3	SCREW CALL OUTS	NJM	5/00

LCN[®]

APP BY JEJ 6/96
 DO NOT SCALE

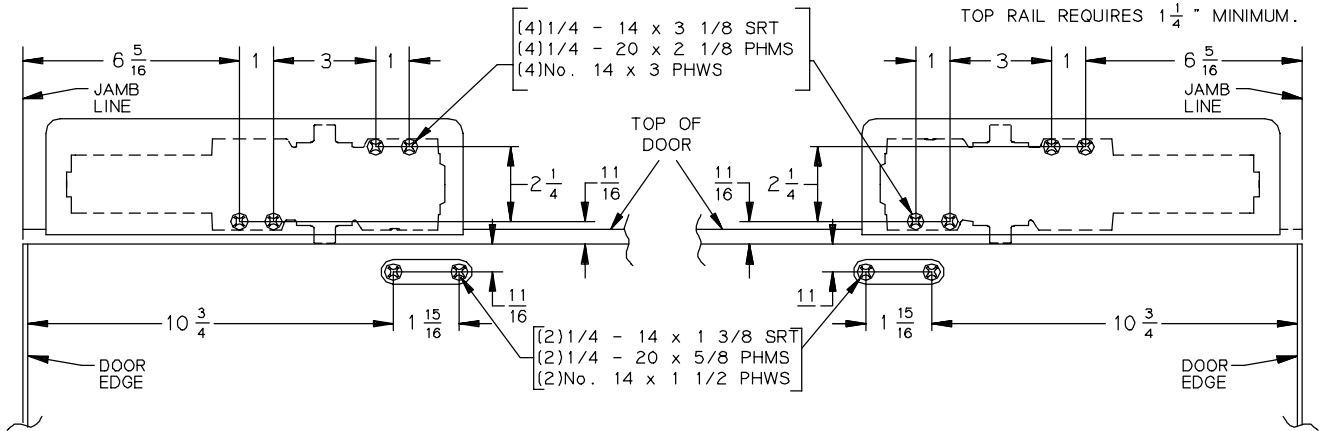
4041 NON-HANDED DELAY CLOSER
 (PULL SIDE) MOUNTED ON R.H. OR L.H. DOORS

404 1DA (PULL SIDE)

THIS APPLICATION REQUIRES A FLUSH PANEL HEADER HAVING MAXIMUM 1/2 RABBET OR SINGLE RABBETED FRAMES WITH MINIMUM 3 1/2 FACE.

PUSH SIDE MTG ON R.H. OR L.H. DOOR APPLIES TO:

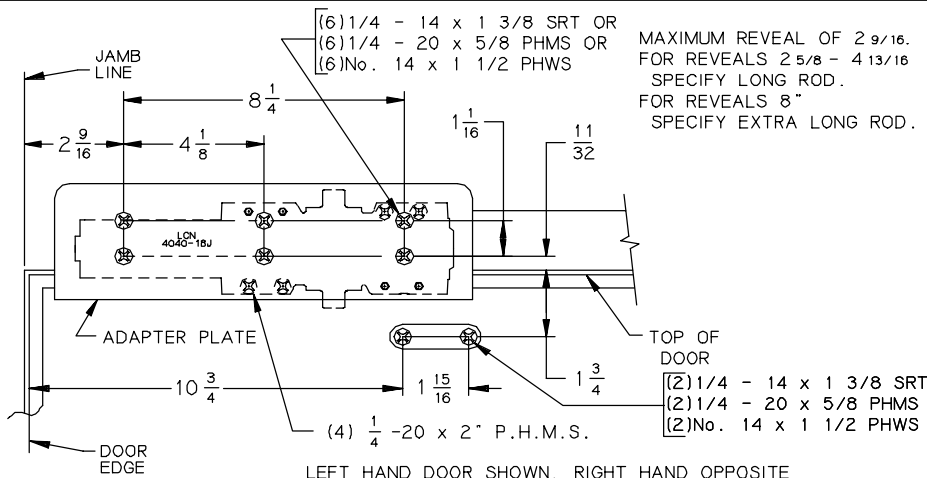
404 1DA } HOLD OPEN (85° TO 120°)
MAXIMUM OPENING 120°



TOP RAIL REQUIRES 1 1/4" MINIMUM.

LEFT HAND APPLICATION SHOWN

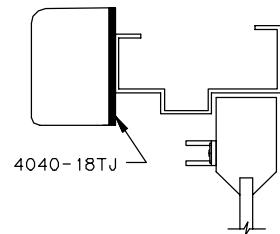
RIGHT HAND APPLICATION SHOWN



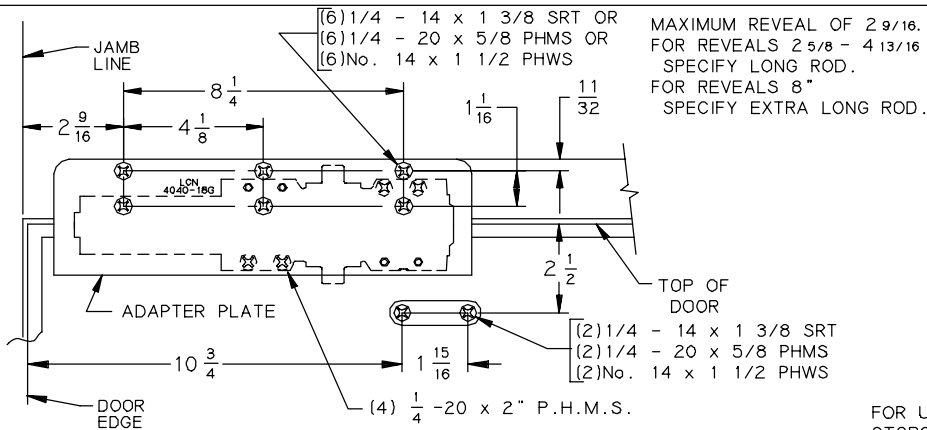
PUSH SIDE MTG ON 4040-18TJ DROP PLATE APPLIES TO:

404 1DA } HOLD OPEN (85° TO 120°)
MAXIMUM OPENING 120°

TOP RAIL REQUIRES 2 1/4" MINIMUM.



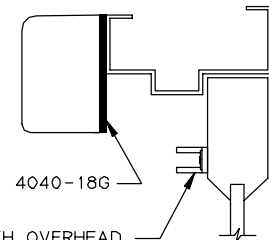
LEFT HAND DOOR SHOWN, RIGHT HAND OPPOSITE



PUSH SIDE MTG ON 4040-18G DROP PLATE APPLIES TO:

404 1DA } HOLD OPEN (85° TO 120°)
MAXIMUM OPENING 120°

TOP RAIL REQUIRES 3" MINIMUM.



FOR USE WITH OVERHEAD STOPS, SHOE MUST BE LOWERED TO CLEAR HOLDER.

LEFT HAND DOOR SHOWN, RIGHT HAND OPPOSITE

GENERAL NOTES-

AUXILIARY STOP RECOMMENDED

1. LOCATE CLOSER & SHOE FROM ϕ OF PIVOT OR SWING CLEAR HINGE PIN IF USED.
2. REINFORCING PER ANSI/SDI-100 RECOMMENDED FOR HOLLOW METAL DOORS AND FRAMES.
3. CLOSER SIZE 12 1/4 x 3 1/2 x 2 5/32.
4. BUTT HINGES SHOULD NOT EXCEED 5" IN WIDTH.

INCH	1/4	11/32	1/2	5/8	11/16	1	1 1/16	1 1/4	1 1/2	
M.M.	6	9	13	16	18	25	27	32	38	
INCH	1 3/4	1 15/16	2	2 1/8	2 5/32	2 1/4	2 1/2	2 9/16	2 5/8	3
M.M.	45	49	54	54	55	57	64	65	67	76
INCH	3 1/2	4 1/8	4 13/16	5	5 7/16	6 5/16	8	8 1/4	10 3/4	12 1/4
M.M.	89	105	122	127	138	160	210	210	273	311

No.	REVISION	BY	DATE
2	TEMPLATE UPDATE	JEJ	6/96
3	SCREW CALL OUTS	NUM	5/00

LCN[®]

APP BY JEJ 6/96
DO NOT SCALE

4041 NON-HANDED DELAY CLOSER (PUSH SIDE) MOUNTED ON R.H. OR L.H. DOORS

404 1DA (PUSH SIDE)

IMPORTANT

BEFORE INSTALLING CLOSER, TURN BACKCHECK SELECTOR VALVE (FOUND ON OPPOSITE SIDE OF CLOSER FROM REGULATING SCREW SIDE) ALL THE WAY IN (CLOCKWISE)

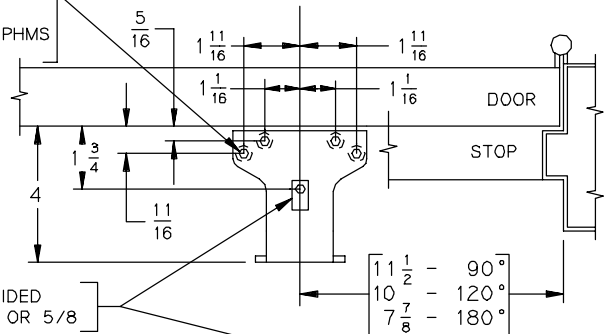
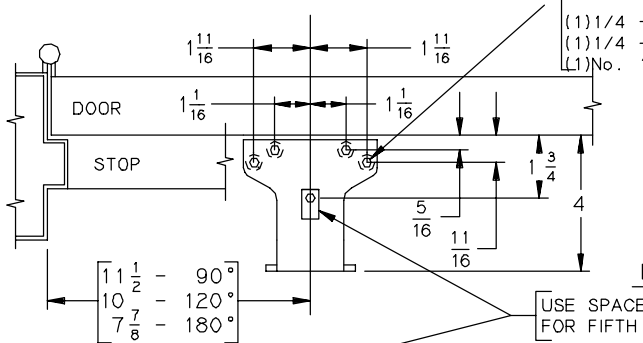
PARALLEL ARM (PUSH SIDE) MOUNTING ON R.H. OR L.H. DOORS

4041DA } HOLD OPEN (UP TO 180°)
MAXIMUM OPENING 180°

TOP RAIL LESS THAN 6" REQUIRES 4040-18PA DROP PLATE

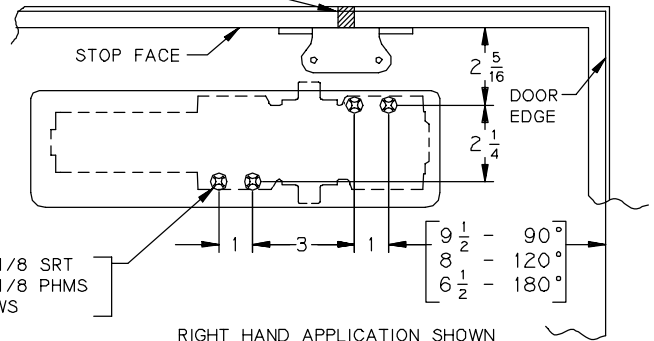
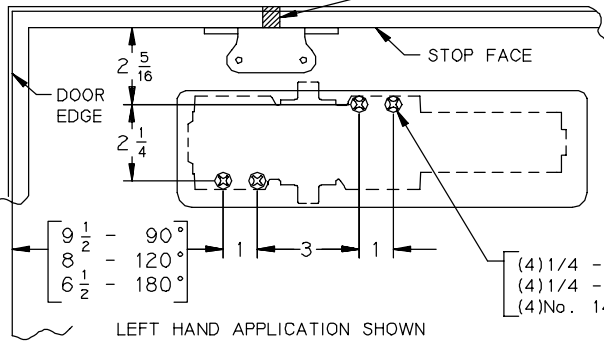
- (4) 1/4 - 14 x 2 SRT
- (4) 1/4 - 20 x 5/8 PHMS
- (4) No. 14 x 2 PHWS

- (1) 1/4 - 14 x 2 SRT
- (1) 1/4 - 20 x 1 1/2 PHMS
- (1) No. 14 x 2 PHWS



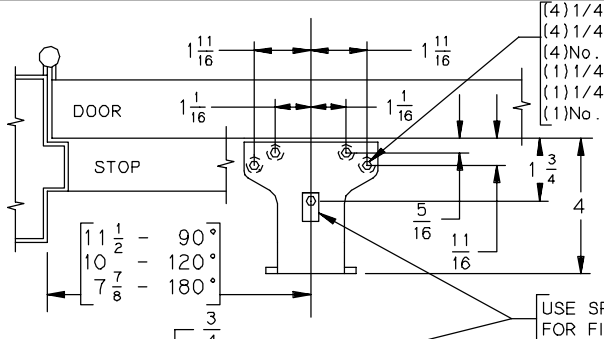
IMPORTANT

USE SPACER BLOCK PROVIDED FOR FIFTH SCREW. 1/2 OR 5/8



LEFT HAND APPLICATION SHOWN

RIGHT HAND APPLICATION SHOWN



PARALLEL ARM (PUSH SIDE) MOUNTING ON 4040-18PA DROP PLATE

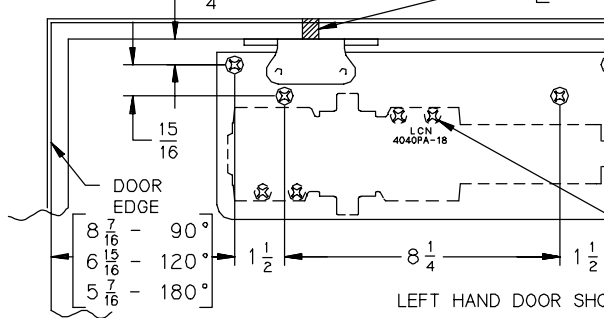
4041DA } HOLD OPEN (UP TO 180°)
MAXIMUM OPENING 180°

2 1/2" MIN TOP RAIL

IMPORTANT

BEFORE INSTALLING CLOSER, TURN BACKCHECK SELECTOR VALVE (FOUND ON OPPOSITE SIDE OF CLOSER FROM REGULATING SCREW SIDE) ALL THE WAY IN (CLOCKWISE)

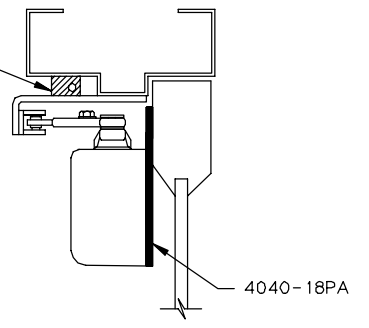
USE SPACER BLOCK PROVIDED FOR FIFTH SCREW. 1/2 OR 5/8



- (4) 1/4 - 14 x 3 1/8 SRT OR
- (4) 1/4 - 20 x 5/8 PHMS OR
- (4) No. 14 x 1 1/2 PHWS

- (4) 1/4 - 20 x 2" P.H.M.S.

LEFT HAND DOOR SHOWN, RIGHT HAND OPPOSITE



GENERAL NOTES-

AUXILIARY STOP RECOMMENDED

1. LOCATE CLOSER & SHOE FROM C OF PIVOT OR SWING CLEAR HINGE PIN IF USED.
2. REINFORCING PER ANSI/SDI-100 RECOMMENDED FOR HOLLOW METAL DOORS AND FRAMES.
3. CLOSER SIZE 12 1/4 x 3 1/2 x 2 5/32.
4. BUTT HINGES SHOULD NOT EXCEED 5" IN WIDTH.

INCH	1/4	5/16	1/2	5/8	11/16	15/16	1	1 1/16	1 1/2	1 11/16
M.M.	6	8	13	16	18	24	25	27	38	43

INCH	1 3/4	2	2 1/8	2 5/32	2 1/4	2 5/16	2 1/2	3	3 1/2	5	5 7/16
M.M.	45	54	54	55	57	59	64	76	89	127	138

INCH	6	6 1/2	6 15/16	7 7/8	8	8 1/4	8 7/16	9 1/2	10	11 1/2	12 1/4
M.M.	152	165	176	200	203	210	214	241	254	292	311

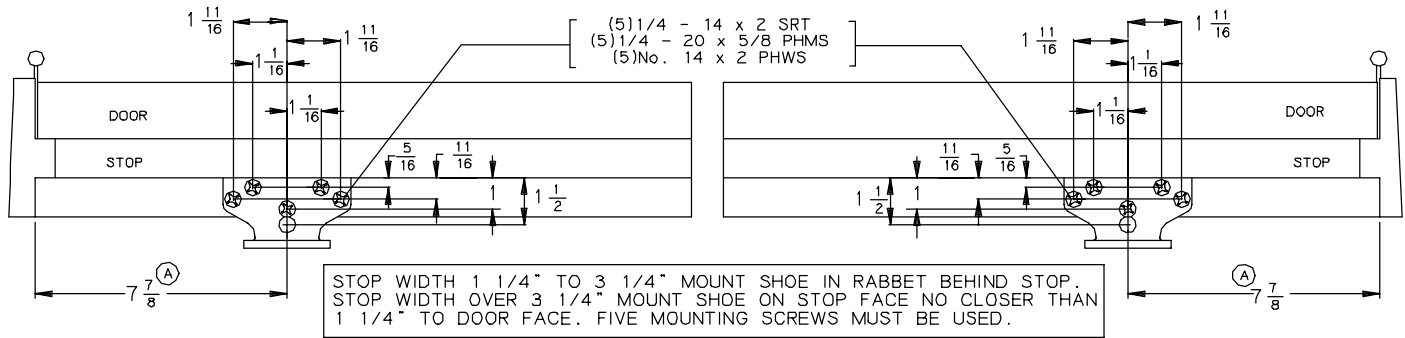
No.	REVISION	BY	DATE
2	TEMPLATE UPDATE	JEJ	6/96
3	SCREW CALL OUTS	NJM	5/00

LCN
4041 NON-HANDED DELAY CLOSER PARALLEL ARM (PUSH SIDE) MTG. ON R.H. OR L.H. DOORS
4041DA (PUSH SIDE PA)

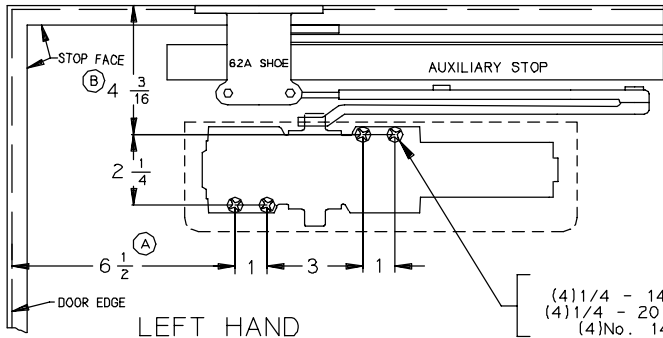
APP BY JEJ 6/96
DO NOT SCALE

4041-62A } MAXIMUM OPENING 180°
 AUXILIARY STOP RECOMMENDED

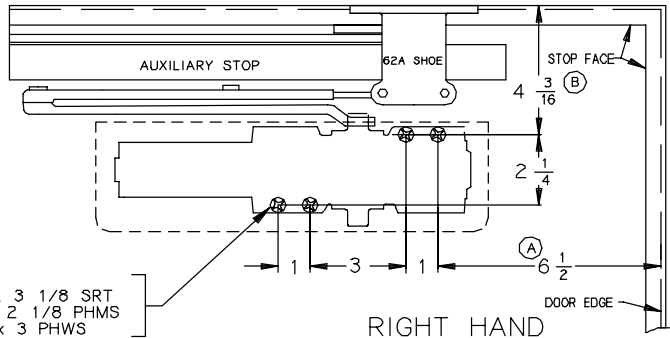
STOP FACE MOUNTED WITH
 62A SHOE



STOP WIDTH 1 1/4" TO 3 1/4" MOUNT SHOE IN RABBET BEHIND STOP.
 STOP WIDTH OVER 3 1/4" MOUNT SHOE ON STOP FACE NO CLOSER THAN
 1 1/4" TO DOOR FACE. FIVE MOUNTING SCREWS MUST BE USED.

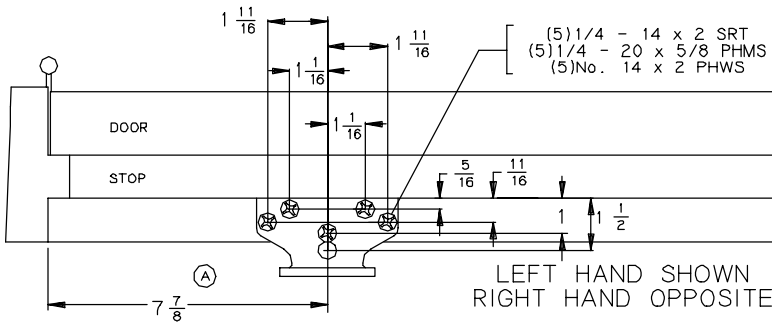


LEFT HAND



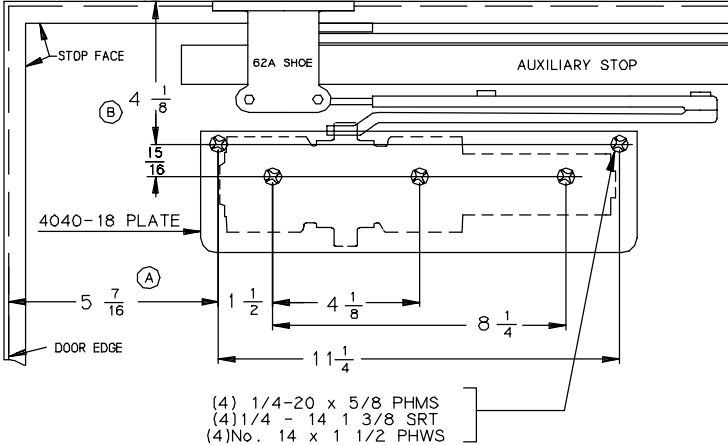
RIGHT HAND

STOP FACE MOUNTED WITH
 62A SHOE AND 4040-18 PLATE



LEFT HAND SHOWN
 RIGHT HAND OPPOSITE

STOP WIDTH 1 1/4" TO 3 1/4" MOUNT SHOE IN RABBET BEHIND STOP.
 STOP WIDTH OVER 3 1/4" MOUNT SHOE ON STOP FACE NO CLOSER THAN
 1 1/4" TO DOOR FACE. FIVE MOUNTING SCREWS MUST BE USED.



GENERAL NOTES

- A. LOCATE CLOSER AND SHOE FROM CENTER LINE OF PIVOT OR SWING CLEAR HINGE WHEN USED.
- B. THIS DIMENSION IS ALWAYS FROM THE SAME SURFACE AS THE SHOE IS MOUNTED ON.
- C. TOP RAIL LESS THAN 7" REQUIRES A DROP PLATE.
- D. THE AUXILIARY STOP IS SHOWN FOR REFERENCE ONLY. THIS TEMPLATE MAY BE USED TO PROVIDE CLEARANCE FOR OTHER TYPES OF HARDWARE SUCH AS COORDINATORS, SOUNDSEALS ETC.
- E. REINFORCING PER ANSI/SDI-100 RECOMMENDED FOR HOLLOW METAL DOOR AND FRAME.
- F. CLOSER SIZE: 12 1/4 X 3 1/2 X 2 5/32
- G. BACKCHECK SELECTOR VALVE MUST BE TURNED ALL THE WAY IN FOR THIS INSTALLATION. REFER TO THE INSTRUCTION SHEET PACKED WITH THE CLOSER.
- H. WORKS WITH GJ 70, 80, 90, 450 SERIES SURFACE HOLDERS. CONSULT FACTORY FOR OTHER APPLICATIONS

INCH	1/4	5/16	5/8	11/16	15/16	1	1 1/16	1 1/4	
M.M.	6	8	16	18	24	25	27	32	
INCH	1 1/2	1 11/16	2	2 1/8	2 5/32	2 1/4	3	3 1/4	3 1/2
M.M.	38	43	51	54	55	57	76	83	89
INCH	4 1/8	4 3/16	5 7/16	6 1/2	7	7 7/8	8 1/4	11 1/4	12 1/4
M.M.	105	106	138	165	178	200	210	286	311

No.	REVISION	BY	DATE
1	TEMPLATE UPDATE	JEJ	6/96
2	SCREW CALL OUTS	NJM	5/00

LCN[®] APP BY JEJ 6/96
 DO NOT SCALE
 4041 NON-HANDED CLOSER (PUSH SIDE MOUNTED) WITH 62A SHOE
 4041-62A

IMPORTANT

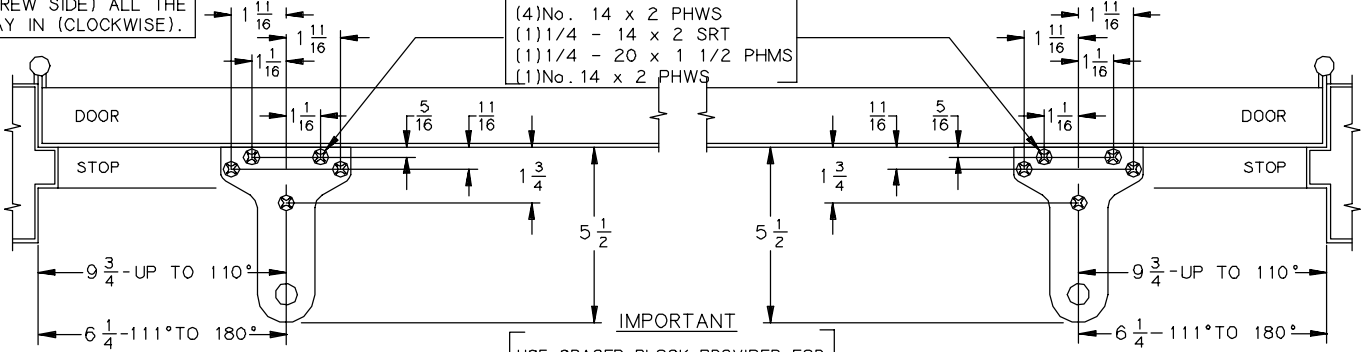
BEFORE INSTALLING CLOSER, TURN BACKCHECK SELECTOR VALVE (FOUND ON OPPOSITE SIDE OF CLOSER FROM REGULATING SCREW SIDE) ALL THE WAY IN (CLOCKWISE).

TOP RAIL LESS THAN 6" REQUIRES 4040-18PA DROP PLATE

PUSH SIDE MTG. ON R.H. OR L.H. DOORS

4041EDA } HOLD OPEN (30° TO 180°)
MAXIMUM OPENING 180°

- (4) 1/4 - 14 x 2 SRT
- (4) 1/4 - 20 x 5/8 PHMS
- (4) No. 14 x 2 PHWS
- (1) 1/4 - 14 x 2 SRT
- (1) 1/4 - 20 x 1 1/2 PHMS
- (1) No. 14 x 2 PHWS



LEFT HAND APPLICATION

RIGHT HAND APPLICATION

- (4) 1/4 - 14 x 3 1/8 SRT
- (4) 1/4 - 20 x 1 1/2 PHMS
- (4) No. 14 x 2 PHWS

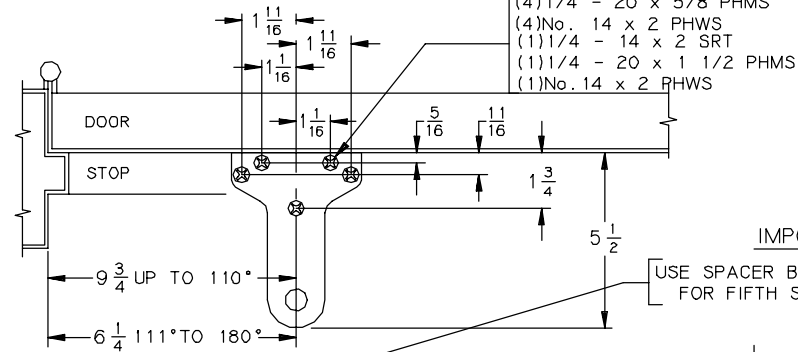
PUSH SIDE MTG. ON 4040-18PA DROP PLATE

4041EDA } HOLD OPEN (30° TO 180°)
MAXIMUM OPENING 180°

IMPORTANT MIN. TOP RAIL 2 1/2"

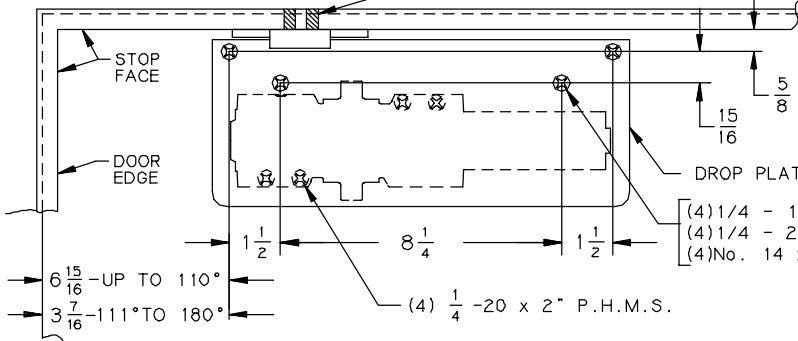
BEFORE INSTALLING CLOSER, TURN BACKCHECK SELECTOR VALVE (FOUND ON OPPOSITE SIDE OF CLOSER FROM REGULATING SCREW SIDE) ALL THE WAY IN (CLOCKWISE)

- (4) 1/4 - 14 x 2 SRT
- (4) 1/4 - 20 x 5/8 PHMS
- (4) No. 14 x 2 PHWS
- (1) 1/4 - 14 x 2 SRT
- (1) 1/4 - 20 x 1 1/2 PHMS
- (1) No. 14 x 2 PHWS

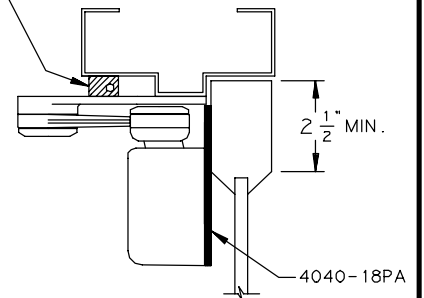


IMPORTANT

USE SPACER BLOCK PROVIDED FOR FIFTH SCREW, 1/2 OR 5/8



LEFT HAND DOOR SHOWN, RIGHT HAND OPPOSITE



GENERAL NOTES-

1. LOCATE CLOSER & SHOE FROM ϕ OF PIVOT OR SWING CLEAR HINGE PIN IF USED.
2. REINFORCING PER ANSI/SDI-100 RECOMMENDED FOR HOLLOW METAL DOORS AND FRAMES.
3. CLOSER SIZE 12 1/4 x 3 1/2 x 2 5/32.
4. DELAYED ACTION OPTIONAL.

AUXILIARY STOP RECOMMENDED

INCH	1/4	5/16	1/2	5/8	11/16	15/16	1	1 1/16	1 1/2
M.M.	6	8	13	16	18	24	25	27	38
INCH	1 1/16	1 3/4	2	2 1/8	2 3/2	2 1/2	3	3 7/16	3 1/2
M.M.	43	44	51	54	55	64	76	87	89
INCH	4 1/2	5 1/2	6	6 1/4	6 15/16	8	8 1/4	9 3/4	12 1/4
M.M.	114	140	152	159	176	203	210	248	311

No.	REVISION	BY	DATE
4	TEMPLATE UPDATE	JEJ	6/96
5	TEMPLATE UPDATE	AMM	2/98
6	SCREW CALL OUTS	NUM	5/00



APP BY JEJ 6/96
DO NOT SCALE

4041 NON-HANDED CLOSER (PUSH SIDE)
MTG. WITH EXTRA DUTY ARM

4041 EDA

IMPORTANT

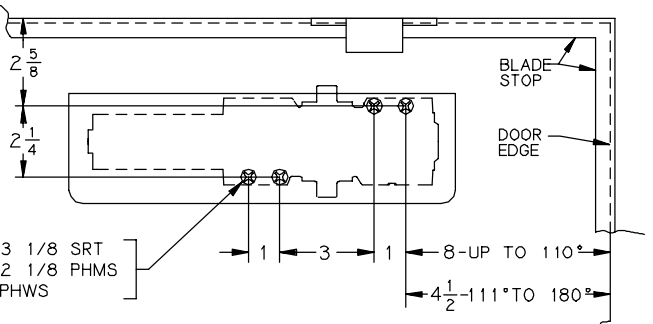
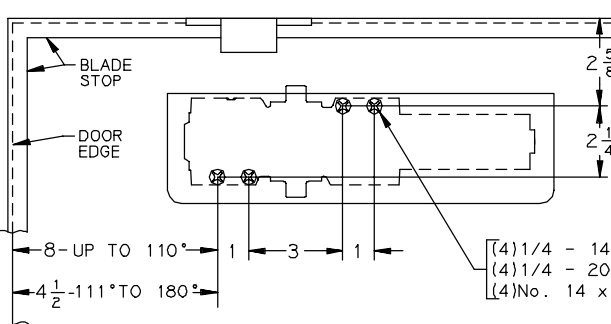
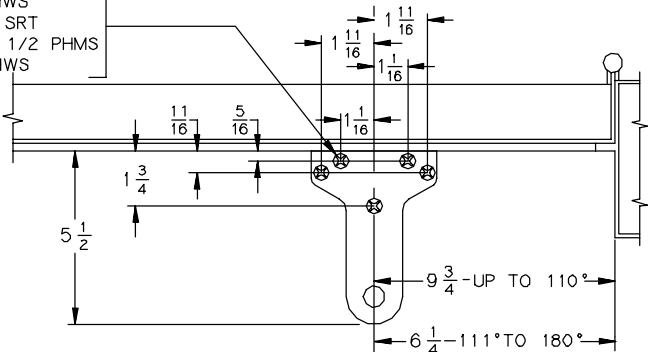
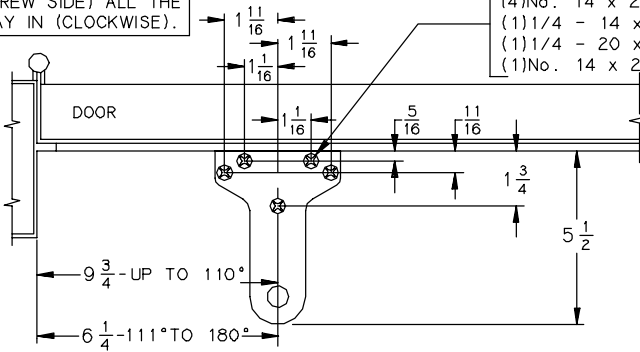
BEFORE INSTALLING CLOSER, TURN BACKCHECK SELECTOR VALVE (FOUND ON OPPOSITE SIDE OF CLOSER FROM REGULATING SCREW SIDE) ALL THE WAY IN (CLOCKWISE).

TOP RAIL LESS THAN 6" REQUIRES 4040-18PA DROP PLATE

PUSH SIDE MTG. ON R.H. OR L.H. DOORS

4041-62G } HOLD OPEN MAX 180°
MAXIMUM OPENING 180°

- (4) 1/4 - 14 x 2 SRT
- (4) 1/4 - 20 x 5/8 PHMS
- (4) No. 14 x 2 PHWS
- (1) 1/4 - 14 x 2 SRT
- (1) 1/4 - 20 x 1 1/2 PHMS
- (1) No. 14 x 2 PHWS



LEFT HAND APPLICATION

RIGHT HAND APPLICATION

- (4) 1/4 - 14 x 2 SRT
- (4) 1/4 - 20 x 5/8 PHMS
- (4) No. 14 x 2 PHWS
- (1) 1/4 - 14 x 2 SRT
- (1) 1/4 - 20 x 1 1/2 PHMS
- (1) No. 14 x 2 PHWS

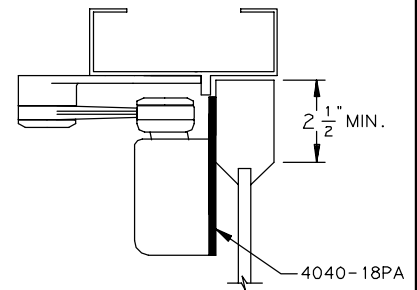
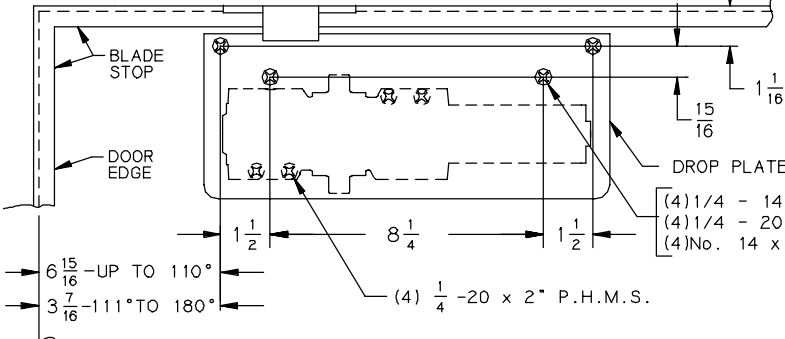
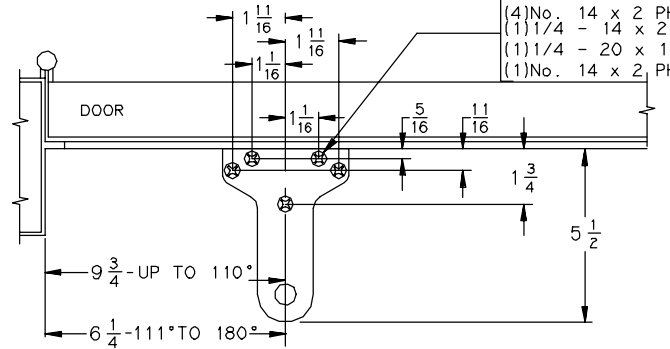
PUSH SIDE MTG. ON 4040-18PA DROP PLATE

4041-62G DP } HOLD OPEN MAX 180°
MAXIMUM OPENING 180°

MIN. TOP RAIL 2 1/2"

IMPORTANT

BEFORE INSTALLING CLOSER, TURN BACKCHECK SELECTOR VALVE (FOUND ON OPPOSITE SIDE OF CLOSER FROM REGULATING SCREW SIDE) ALL THE WAY IN (CLOCKWISE).



LEFT HAND DOOR SHOWN, RIGHT HAND OPPOSITE

GENERAL NOTES-

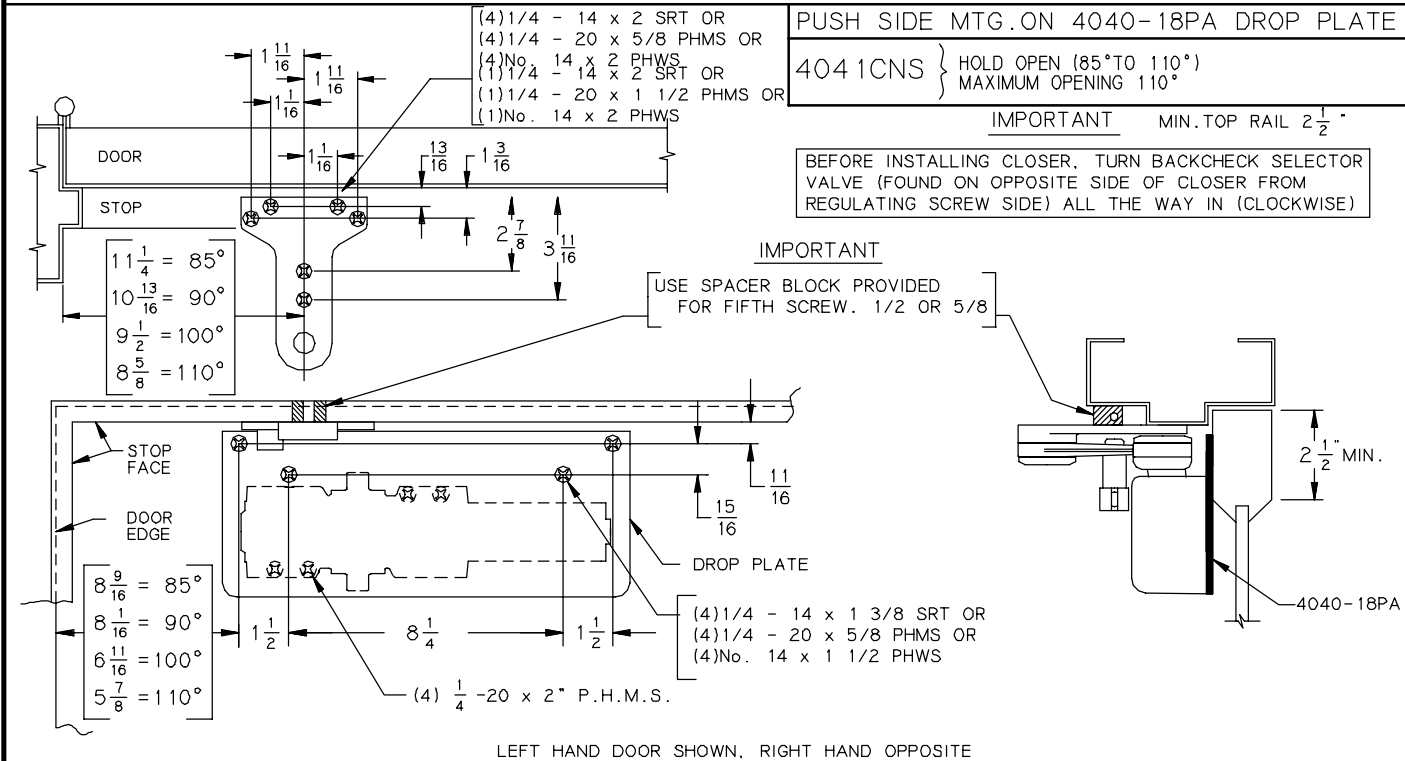
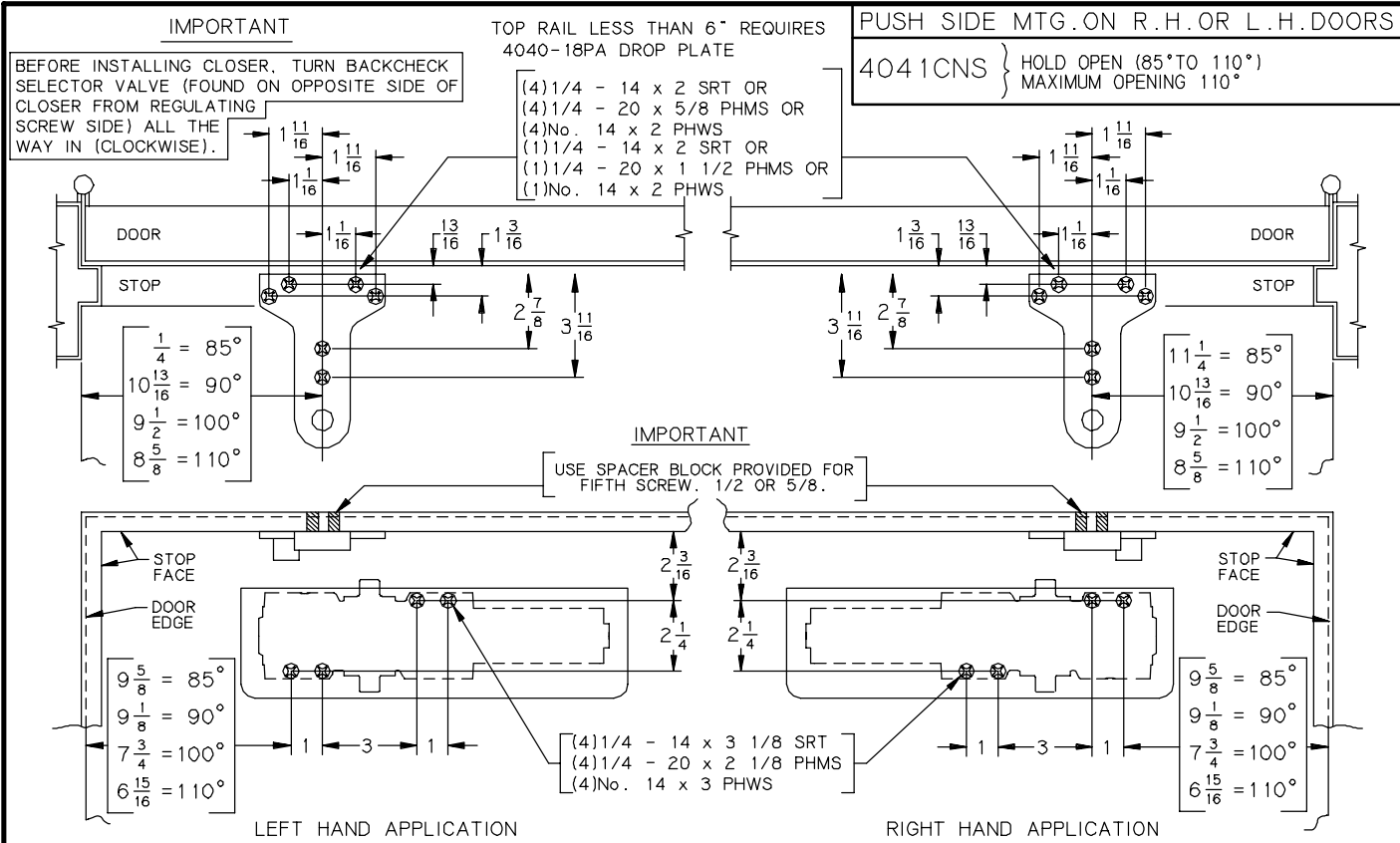
1. LOCATE CLOSER & SHOE FROM \varnothing OF PIVOT OR SWING CLEAR HINGE PIN IF USED.
2. REINFORCING PER ANSI/SDI-100 RECOMMENDED FOR HOLLOW METAL DOORS AND FRAMES.
3. CLOSER SIZE 12 1/4 x 3 1/2 x 2 5/32.
4. DELAYED ACTION OPTIONAL.

AUXILIARY STOP RECOMMENDED

INCH	1/4	5/16	1/2	5/8	11/16	15/16	1	1 1/16	1 1/2
M.M.	6	8	13	16	18	24	25	27	38
INCH	1 11/16	1 3/4	2	2 1/8	2 5/32	2 1/2	3	3 7/16	3 1/2
M.M.	43	44	51	54	55	64	76	87	89
INCH	4 1/2	5 1/2	6	6 1/4	6 15/16	8	8 1/4	9 3/4	12 1/4
M.M.	114	140	152	159	176	203	210	248	311

No.	REVISION	BY	DATE
4	TEMPLATE UPDATE	JEJ	6/96
5	TEMPLATE UPDATE	AMM	2/98
6	1 1/16" WAS 1 9/16"	AMM	1/00
7	SCREW CALL OUTS	NJM	5/00

LCN[®] APP BY JEJ 6/96
DO NOT SCALE
4041 NON-HANDED CLOSER (PUSH SIDE)
MTG. WITH EXTRA DUTY 62G ARM
4041 EDA-62G



GENERAL NOTES-

AUXILIARY STOP RECOMMENDED

1. LOCATE CLOSER & SHOE FROM \bar{C} OF PIVOT OR SWING CLEAR HINGE PIN IF USED.
2. REINFORCING PER ANSI/SDI-100 RECOMMENDED FOR HOLLOW METAL DOORS AND FRAMES.
3. CLOSER SIZE 12 1/4 x 3 1/2 x 2 5/32.
4. DELAYED ACTION OPTIONAL.

INCH	1/4	5/16	1/2	5/8	11/16	15/16	1	1 1/16	1 1/2	1 11/16
M.M.	6	8	13	16	18	24	25	27	38	43

INCH	2	2 1/8	2 5/32	2 3/8	2 1/2	3	3 3/16	3 1/2	5 1/2	6
M.M.	51	54	55	60	64	76	81	89	140	152

INCH	6 1/2	6 5/8	7 5/8	8 1/4	8 3/8	8 3/4	9 1/4	9 1/2	10 1/2	11 1/8	12 1/4
M.M.	165	168	194	210	213	222	235	241	268	283	311

No.	REVISION	BY	DATE
6	TEMPLATE UPDATE	JEJ	6/96
7	TEMPLATE UPDATE	AMM	2/98
8	TEMPLATE UPDATE	AMM	9/99
9	SCREW CALL OUTS	NUM	5/00

LCN®

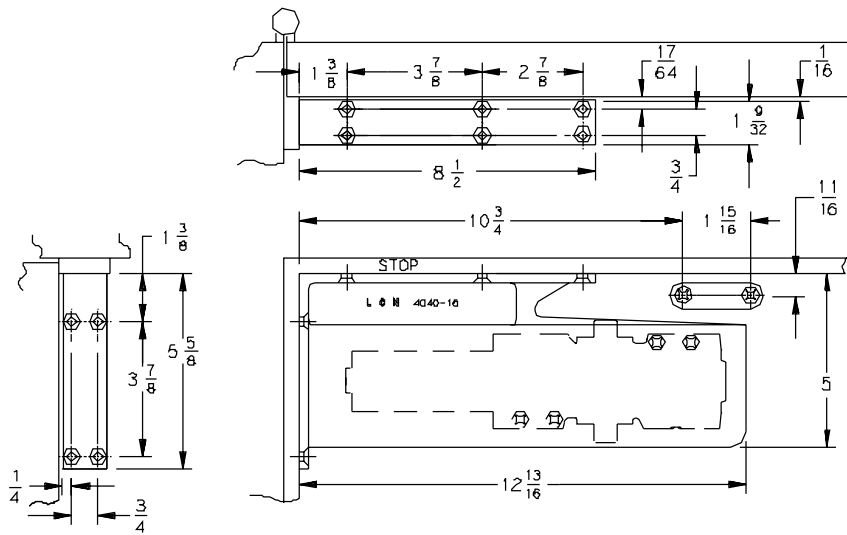
APP BY JEJ 6/96
 DO NOT SCALE

4041 NON-HANDED CLOSER (PUSH SIDE)
 MTG. WITH CUSH-N-STOP ARM

4041 CNS

NO. 16 BRACKET APPLIES TO:

4041 } HOLD OPEN (90° TO 110°)

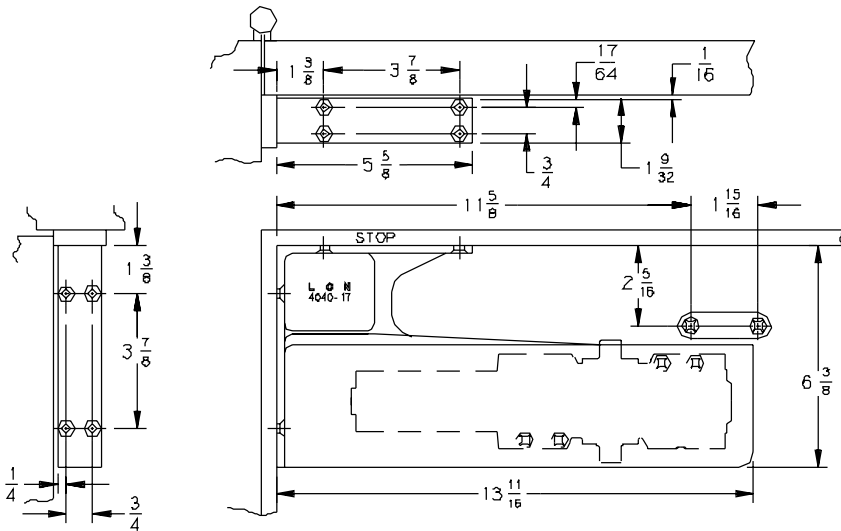


L.H. DOOR SHOWN, RIGHT HAND OPPOSITE

NO. 17 BRACKET APPLIES TO:

4041 } MAXIMUM OPENING 100°

DESIGNED TO LOWER CLOSER FOR CLEARANCE OF CERTAIN AUXILIARY HOLDERS



L.H. DOOR SHOWN, RIGHT HAND OPPOSITE

GENERAL NOTES-

1. MOUNTING SCREWS NO. 14 P.H.W.S OR 1/4"-20 P.H.M.S.
2. REINFORCING PER ANSI/SDI-100 RECOMMENDED FOR HOLLOW METAL DOORS AND FRAMES.

INCH	1/16	1/4	17/64	11/16	3/4	1 9/32	1 3/8	1 15/16	2 5/16	
M.M.	2	6	7	18	19	33	35	49	59	
INCH	2 7/8	3 7/8	5	5 5/8	6 3/8	8 1/2	10 3/4	11 5/8	12 13/16	13 11/16
M.M.	73	98	127	143	162	218	273	295	324	348

No.	REVISION	BY	DATE
4	TEMPLATE UPDATE	JEJ	6/96

LCN®

APP BY JEJ 6/96
DO NOT SCALE

SUPER SMOOTHEE CLOSER ON
No. 16 OR No. 17 CORNER BRACKET

4041-CB