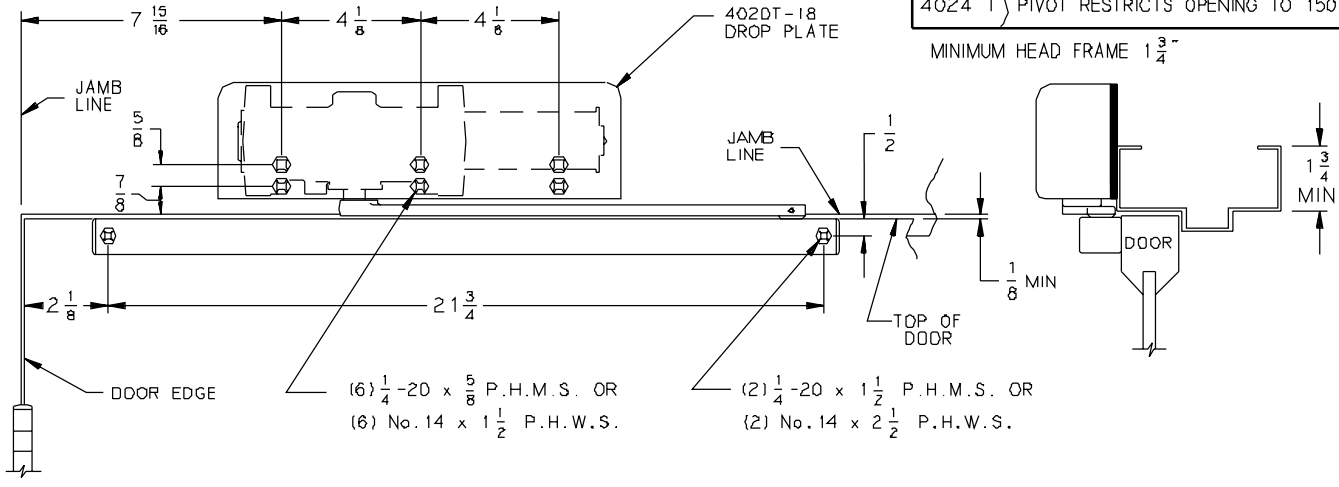


OVER DOOR MOUNTED ON
T-18 DROP PLATE APPLIES TO:

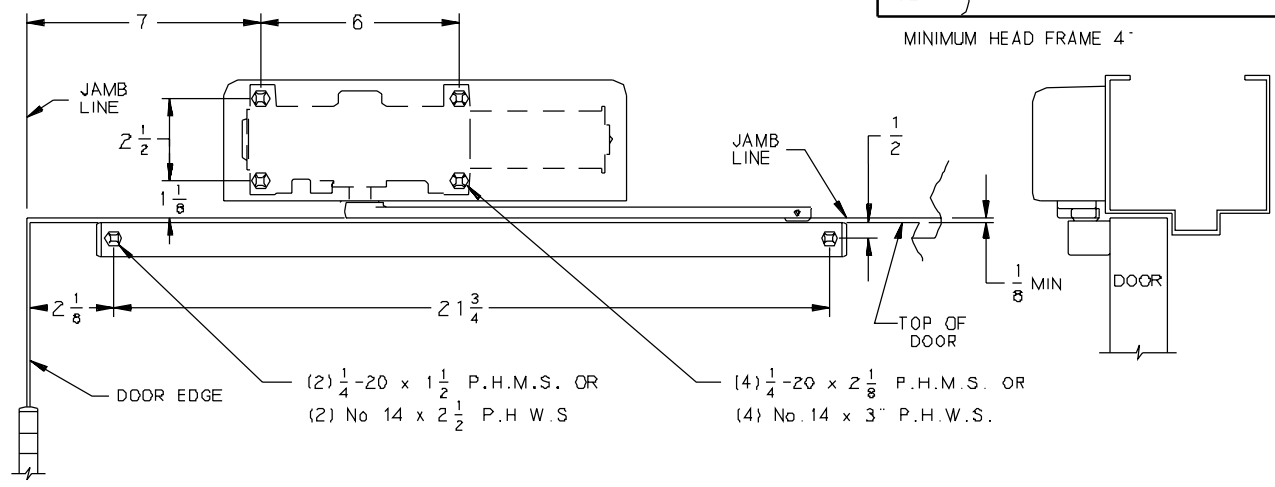
4021 T } HOLD OPEN (80° TO 100°)
4023 T } MAX. OPENING 180°
4024 T } PIVOT RESTRICTS OPENING TO 150°



RIGHT HAND DOOR & CLOSER SHOWN. LEFT HAND OPPOSITE

OVER DOOR MOUNTED APPLIES TO:

4021 T } HOLD OPEN (80° TO 100°)
4023 T } MAX. OPENING 180°
4024 T } PIVOT RESTRICTS OPENING TO 150°



RIGHT HAND DOOR & CLOSER SHOWN. LEFT HAND OPPOSITE

GENERAL NOTES-

1. CLOSER SIZE: 12 1/4 x 3 1/2 x 2 5/32 (2 3/8 WITH DROP PLATE).
2. LOCATE CLOSER & TRACK FROM CL OF PIVOT WHEN USED
3. REINFORCING PER ANSI/SDI-100 RECOMMENDED FOR HOLLOW METAL DOORS AND FRAMES.
4. USE OF PIVOTS RESTRICTS MAX. OPENING TO 150°.

AUXILIARY STOP RECOMMENDED

INCH	1/8	1/4	1/2	5/8	7/8	1 1/8	1 1/2
M.M.	3	6	13	16	22	29	38
INCH	1 3/4	2 1/8	2 5/32	2 1/2	3	3 1/2	4
M.M.	44	55	55	64	76	89	102
INCH	4 1/8	6	7	7 15/16	12 1/4	12 3/8	2 1/4
M.M.	105	152	178	202	311	314	553

No.	REVISION	BY	DATE		APP BY JEJ 6/96
3	TEMPLATE UPDATE	JEJ	6/96		DO NOT SCALE
4	ADDED NOTE	AMM	3/98	SMOOTHEE CLOSER WITH TRACK (PULL SIDE MOUNTED) ON FRAME OR DROP PLATE	4020 T