

## Cylinder Assemblies

4131(2-3)-3071	Cylinder Assembly	F, S, H
	<i>Includes mounting bracket &amp; screw pack</i>	
	<i>(WMS standard – please specify other)</i>	
	<i>Cylinder assembly is size specific (not adjustable)</i>	

## Individual Cylinder Parts

Individual cylinder parts for 4130-3071

4130-159	Arm Screw	F
----------	-----------	---

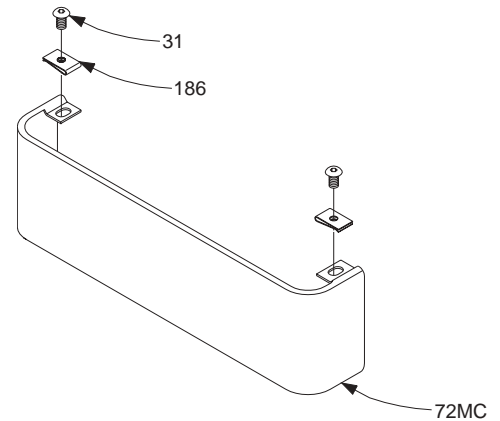
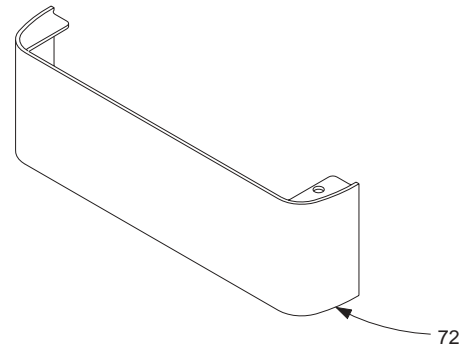
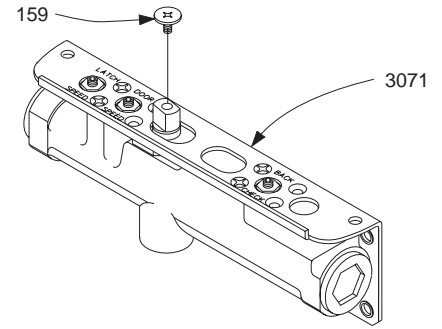
## Covers

4130-72	Standard Cover	F
4130-72MC	Metal Cover	F
	<i>Includes 4130-31 (2), -186 (2)</i>	

## Individual Cover Parts

Individual cover parts for 4130-72 & -72MC

4130-31	Cover Screw	F
4130-186	Nut	



Please specify finish (**F**), size (**S**), hand (**H**), & voltage (**V**) where indicated. See the latest edition of the LCN Catalog for part descriptions and specifications on many of the items shown above. List prices for items shown above can be located in the current LCN Price List.

# LCN 4130 SERIES

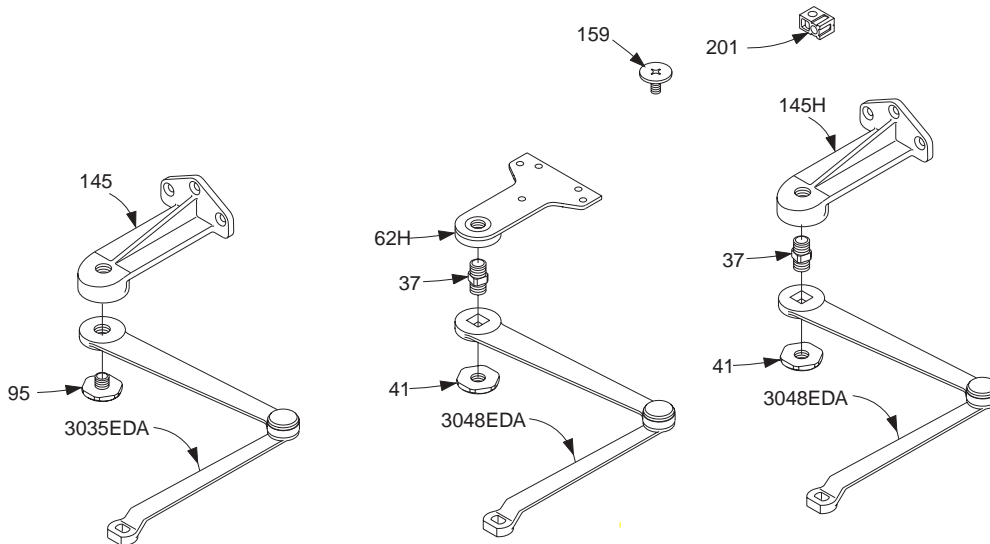
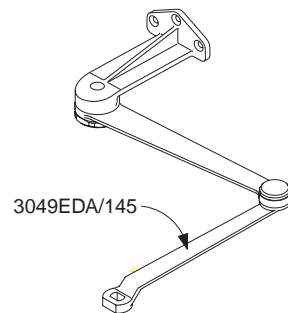
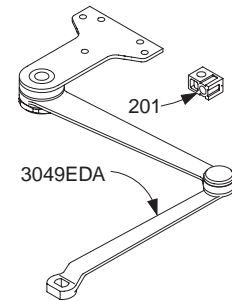
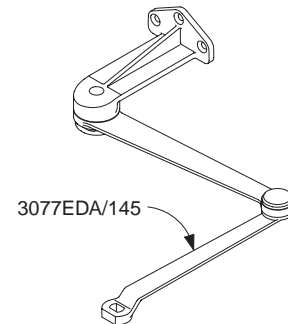
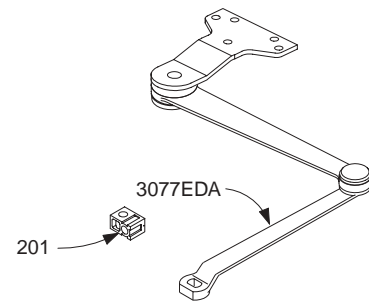
## Complete Arm Assemblies

4130-3077EDA	Extra Duty Arm	F
	<i>Includes 4130-159, &amp; -201</i>	
4130-3077EDA/145	Extra Duty Arm w/145	F
	<i>Includes 4130-95, -145, -159, &amp; -3035EDA</i>	
4130-3049EDA	Hold-Open Extra Duty Arm	F, H
	<i>Includes 4130-37, -41, -62H, -159, -201, &amp; -3048EDA</i>	
4130-3049EDA/145	HO Extra Duty Arm w/145	F, H
	<i>Includes 4130-37, -41, -145H, -159, &amp; -3048EDA</i>	

## Individual Arm Parts

Individual arm parts for 4130-3077EDA, -3077EDA/145, -3049EDA, & -3049EDA/145

4130-37	Hold-Open Stud	F, H
4130-41	Hold-Open Nut	F
4130-62H	Hold-Open Shoe	F, H
	<i>Includes 4130-201</i>	
4130-95	Arm Stud	F
4130-145	Flush Transom Shoe	F
4130-145H	HO Flush Transom Shoe	F, H
4130-159	Arm Screw	F
4130-201	Fifth Screw Spacer	
4130-3035EDA	EDA Main Arm & Forearm	F
	<i>Includes 4130-159</i>	
4130-3048EDA	HEDA Main Arm & Forearm	F
	<i>Includes 4130-159</i>	

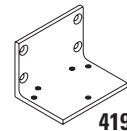
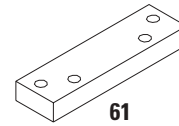
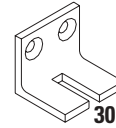


Please specify finish (F), size (S), hand (H), & voltage (V) where indicated. See the latest edition of the LCN Catalog for part descriptions and specifications on many of the items shown above. List prices for items shown above can be located in the current LCN Price List.

## Installation Accessories

---

4130-30	Shoe Support	F
4130-61	Blade Stop Spacer	F
4130-419	Flush Panel Adapter	F



Please specify finish **(F)**, size **(S)**, hand **(H)**, & voltage **(V)** where indicated. See the latest edition of the LCN Catalog for part descriptions and specifications on many of the items shown above. List prices for items shown above can be located in the current LCN Price List.

# LCN 4130 SERIES

Please specify finish **(F)**, size **(S)**, hand **(H)**, & voltage **(V)** where indicated. See the latest edition of the LCN Catalog for part descriptions and specifications on many of the items shown above. List prices for items shown above can be located in the current LCN Price List.