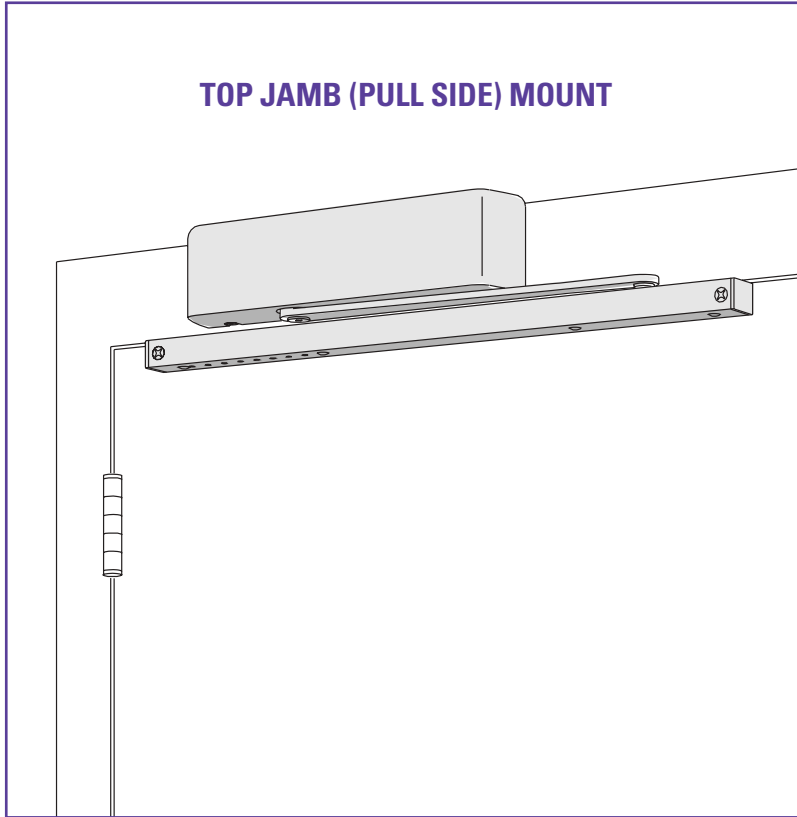


LCN 4020T SERIES

FEATURES



The 4020T SMOOTHIE® is LCN's best performing heavy duty track closer designed specifically for interior doors in institutional and other high traffic applications.

- ▶ **Cast Iron**
- ▶ **Forged Steel Arm**
- ▶ **Double Heat Treated Steel Pinion**
- ▶ **All Weather Fluid**
- ▶ **Fast & Accurate Installation**
- ▶ **UL & ULC Listed**

- ▶ Standard 4020T series closer shipped with standard arm, standard track, track roller, standard plastic cover, and self reaming and tapping screws. See 4020T Series pages 21 & 22 for options.
- ▶ Sized cylinders for interior doors to 4'0".
- ▶ Closer mounts top jamb (pull side), specify right or left swinging door.
- ▶ Closers to meet ADA requirements. See 4020T Series page 23.
- ▶ Standard or optional custom powder coat finish.
- ▶ Optional plated finish on cover, arm and fasteners.
- ▶ Optional SRI primer for installations in corrosive conditions.
- ▶ The 4020T Series is UL and ULC listed with a standard track for self-closing doors.
- ▶ Tested and certified under ANSI Standard A156.4, grade one.

MOUNTING					FINISH			COVER			CYLINDER				**ARM FUNCTION						
HINGE (PULL) SIDE	TOP JAMB (PULL)	TOP JAMB (PUSH)	PARALLEL ARM	STOP FACE	POWDER COAT	PLATED	PLASTIC	METAL	DESIGNER METAL	NON-HANDED	NON-SIZED	ACCESSIBILITY	DELAYED ACTION	AVB***	REGULAR (DOUBLE)	STANDARD (SINGLE)	HOLD-OPEN	FUSIBLE LINK	EDAPHEDA	CUSH/H/CUSH	SCUSH/SH/CUSH
○	●	○	○	○	●	●	●	●	○	○	○	○	○	○	○	180°	100°	○	○	○	○

● Available
○ Not available

♿ Closer available with less than 5.0 lbs. opening force on 36" door.
**Maximum opening/hold-open point with standard template.
*** Advanced Variable Backcheck

LCN 4020T SERIES

MOUNTING DETAILS

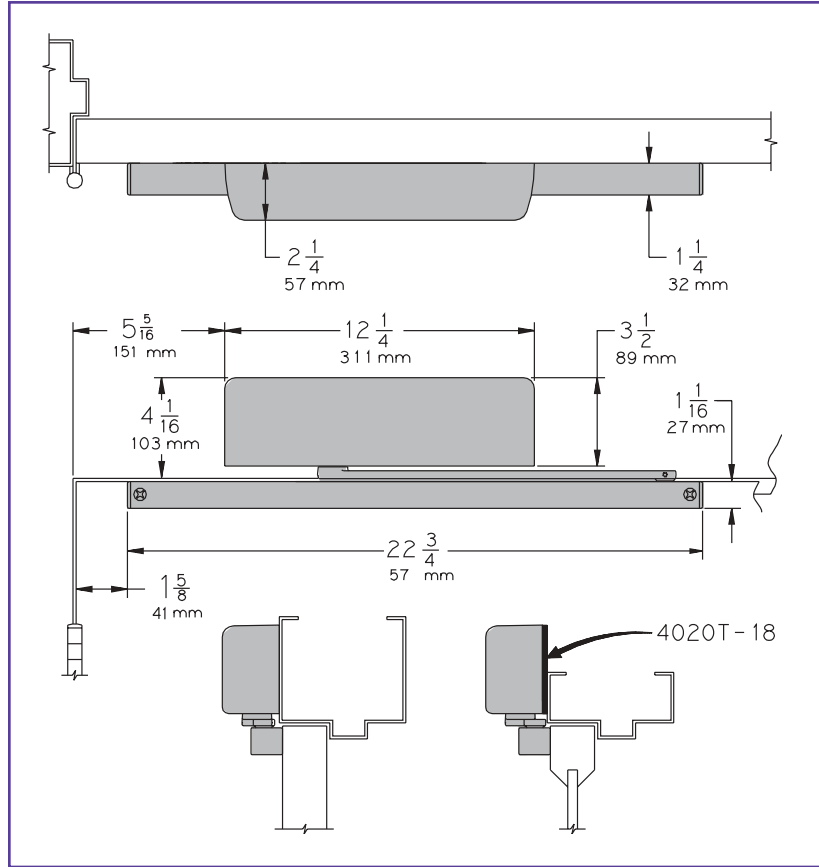
TOP JAMB (PULL SIDE) MOUNTING

MAXIMUM OPENING

Templating allows 180° with standard track arm, limited to 100° with optional bumper installed.

Consult factory if door will be held open at 180°

Hold-open points at 80°, 85°, 90°, 95°, or 100° with hold-open tracks.



- ▶ **Butt Hinges** should not exceed 5" (127 mm) in width.
- ▶ **Auxiliary Stop** is recommended at hold-open point or where a door cannot swing 180°. Optional track bumper assembly assists backcheck in cushioning the opening swing of the door. It is not intended to replace an auxiliary stop.
- ▶ **Reveal** should not exceed 1/8" (3 mm).
- ▶ **Head Frame** less than 3 7/8" (98 mm), requires PLATE, 4020T-18. Plate requires 1 3/4" (44 mm) minimum.
- ▶ **Clearance** of 1 1/2" (38 mm) behind door required for 90° or 180° installation.

Options

- ▶ Standard track with bumper, hold-open track, hold-open track with bumper.
- ▶ Metal or lead lined cover.

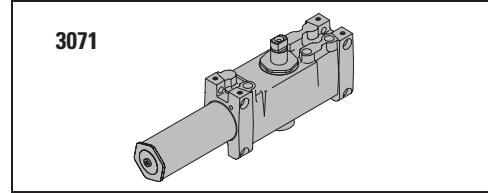
Special Templates

Customized installation templates or products may be available to solve unusual applications. Contact LCN for assistance.

CYLINDERS

CYLINDER, 4020T-3071

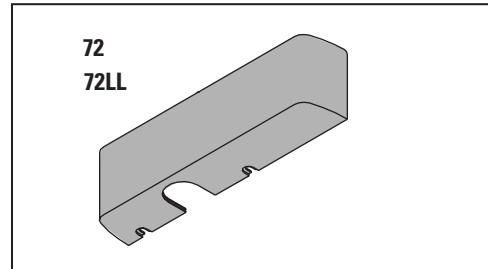
Standard, handed cast iron cylinder assembly.
For various applications see "Table of Sizes" on 4020T Series page 23.



COVERS

COVER, 4020T-72

Standard, handed plastic cover.

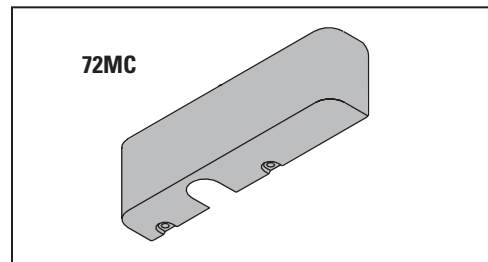


LEAD LINED COVER, 4020T-72LL

Optional, handed cover.

METAL COVER, 4020T-72MC

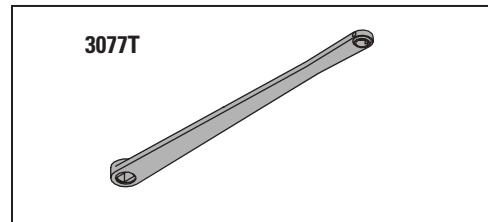
Optional, handed cover. Required for plated finishes and custom powder coat finishes.



ARMS

STANDARD ARM, 4020T-3077T

Handed arm.
Roller not included with arm.



TRACKS

STANDARD TRACK, 4020T-3038

Standard, non hold-open, non-handed track.
Will accept hold-open clip and/or bumper assembly.

STANDARD TRACK with BUMPER, 4020T-3038B

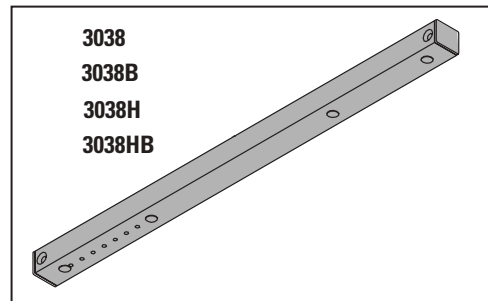
Optional non hold-open, non-handed track with bumper assembly installed.
Will accept hold-open clip.

HOLD-OPEN TRACK, 4020T-3038H

Optional, non-handed track with hold-open clip installed.
Will accept bumper assembly.

HOLD-OPEN TRACK with BUMPER, 4020T-3038HB

Optional, non-handed track with hold-open clip and bumper assembly installed.

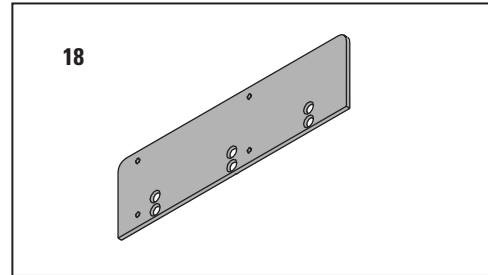


LCN 4020T SERIES

INSTALLATION ACCESSORIES

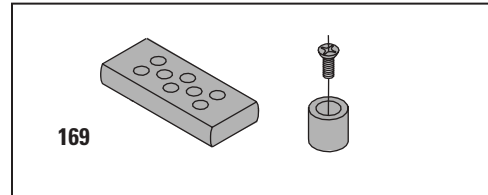
PLATE, 4020T-18

Required where head frame is less than 3 7/8" (98 mm).
 Plate requires minimum 1 3/4" (44 mm) top rail.



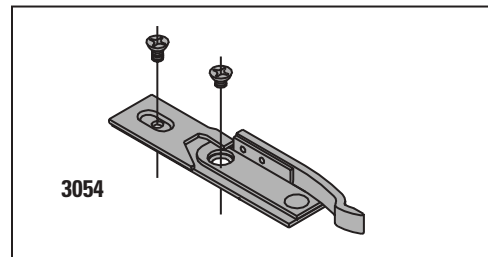
TRACK BUMPER, 4020T-169

Mounts in track to assist backcheck, not replace auxiliary stop.
 Limits maximum opening.
 Consists of bumper, bumper post, and mounting screw.



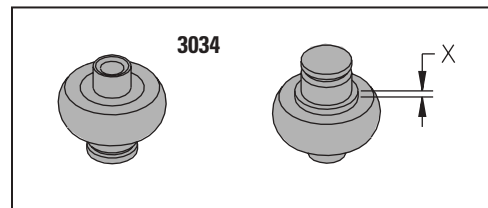
HOLD-OPEN CLIP, 4020T-3054

Mounts in track to provide hold-open function.
 Hold-open point controlled by clip location.



TRACK ROLLER, 4020T-3034

Quiet, low friction roller assembly.
 Shoulder dimension "X" = 1/16" (2mm).

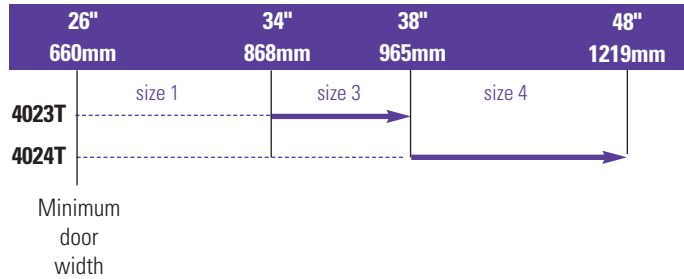


LCN 4020T SERIES

ORDERING INFORMATION

TABLE OF SIZES Select closer based on width of door.
 4020T Series cylinders available in size 1, 3 or 4.
 Closing power of all 4020T Series closers may be increased 15%.
 Specify next higher size closer where strong drafts exist
 → Indicates recommended range of door width for closer size.


INTERIOR DOOR WIDTH



REDUCED OPENING FORCE 4020T CLOSERS

CAUTION ! Any manual door closer, including those certified by BHMA to conform to ANSI Standard A156.4, that is selected, installed and adjusted based on ADA or other reduced opening force requirements may not provide sufficient power to reliably close and latch a door.

Refer to POWER OPERATORS section for information on systems that meet reduced opening force requirements without effecting closing power.

	DOOR WIDTH	36"	42"	48"
	8.5* lbs.	N/A	N/A	N/A
	5.0* lbs.	4021T	4021T	4021T

* Maximum opening force

HOW-TO-ORDER 4020T SERIES CLOSERS

1. SELECT CYLINDER SIZE

- 4021T (ADA)
- 4023T
- 4024T

2. SPECIFY HAND

- RH
- LH

3. SPECIFY FINISH

- Standard Powder Coat _____
 Aluminum, Dark Bronze, Tan, Statuary,
 Light Bronze, Black, Brass.

Closer will be shipped with:

- STANDARD COVER,
- STANDARD ARM,
- TRACK ROLLER,
- STANDARD TRACK,
- SELF-REAMING and TAPPING SCREWS
 unless options listed below are selected.

CLOSER OPTIONS

COVER

- Lead Lined (LL)
- Metal (MC)

FINISH

- Custom Powder Coat (RAL) _____
 (handed metal cover required)
- Plated Finish, US _____
 (handed metal cover required)
- SRI primer

TRACK

- Standard with Bumper (BUMPER)
- Hold-Open (HO)
- Hold-Open with Bumper (HBUMPER)

SCREW PACK

- TB* & SRT Screw (TBSRT)
 - Wood & Machine Screw (WMS)
 - TB*, Wood & Machine Screw (TBWMS)
 - TORX Machine Screw (TORX)
 - TB* & TORX Machine Screw (TBTRX)
- * Specify door thickness if other than 1 3/4".

INSTALLATION ACCESSORY

- Plate, 4020T-18

SPECIAL TEMPLATE

- ST- _____