

LCN 4020T SERIES "SMOOTHEE"

Cylinder Assemblies

4021(3-4)T-3071	Cylinder Assembly	F, S, H
	<i>Includes screw pack (SRT standard – please specify other)</i>	
	<i>Cylinder assembly is size specific (not adjustable)</i>	

Individual Cylinder Parts

Individual cylinder parts for 4020T-3071

4020T-159	Arm Screw	F
-----------	-----------	---

Covers

4020T-72	Standard Cover	F, H
----------	----------------	------

Includes 4020T-31 (2)

4020T-72LL	Lead Lined Cover	F, H
------------	------------------	------

Includes 4020T-31 (2)

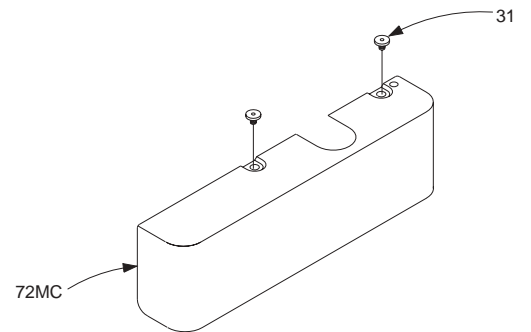
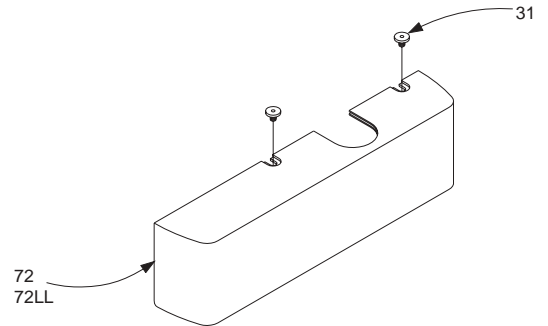
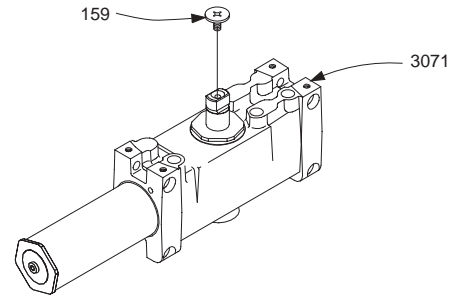
4020T-72MC	Metal Cover	F, H
------------	-------------	------

Includes 4020T-31 (2)

Individual Cover Parts

Individual cover parts for 4020T-72, -72LL, & -72MC

4020T-31	Cover Screw	F
----------	-------------	---



Please specify finish (F), size (S), hand (H), & voltage (V) where indicated. See the latest edition of the LCN Catalog for part descriptions and specifications on many of the items shown above. List prices for items shown above can be located in the current LCN Price List.

LCN 4020T SERIES "SMOOTHEE"

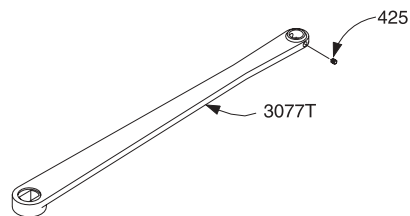
Complete Arm Assemblies

4020T-3077T Standard Arm F, H
Includes 4020T-159, & -425

Individual Arm Parts

Individual arm parts for 4020T-3077T

4020T-159 Arm Screw F
 4020T-425 Roller Locking Screw
 4020T-3034 Track Roller



Complete Track Assemblies

4020T-3038 Standard Track F
Includes 4020T-73 (2), & -141-2 (4)

4020T-3038B Standard Track w/Bumper F
Includes 4020T-73 (2), -141-2 (4), & -169

4020T-3038H Standard Track w/Hold-Open F
Includes 4020T-73 (2), -141-2 (4), & -3054

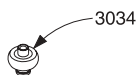
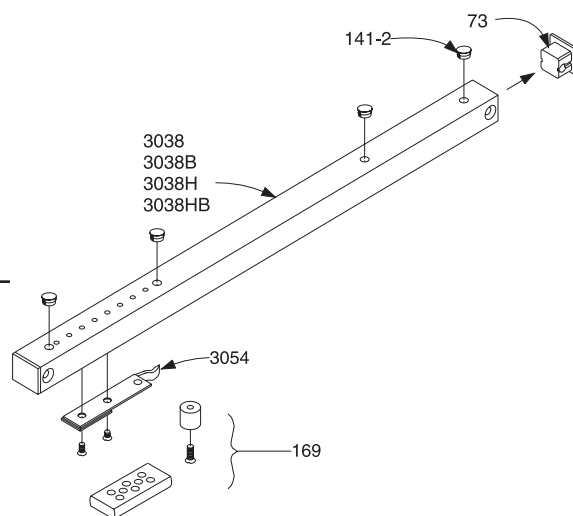
4020T-3038HB Standard Track w/Bump & HO F
Includes 4020T-73 (2), -141-2 (4), -169, & -3054

Individual Track Parts

Individual track parts for 4020T-3038, -3038B, -3038H, & -3038HB

4020T-73 End Cap
 4020T-141-2 Track Plug F
 4020T-169 Bumper Assembly
Includes post & mounting screws

4020T-3034 Track Roller
 4020T-3054 Hold-Open Spring Clip
Includes mounting screws



Please specify finish (F), size (S), hand (H), & voltage (V) where indicated. See the latest edition of the LCN Catalog for part descriptions and specifications on many of the items shown above. List prices for items shown above can be located in the current LCN Price List.

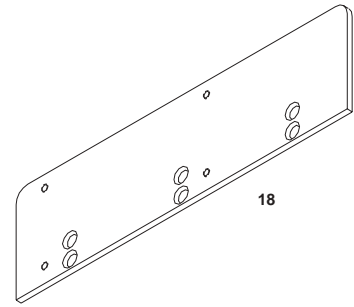
LCN 4020T SERIES "SMOOTHEE"

Mounting Plates

4020T-18

Mounting Plate

F



Please specify finish (**F**), size (**S**), hand (**H**), & voltage (**V**) where indicated. See the latest edition of the LCN Catalog for part descriptions and specifications on many of the items shown above. List prices for items shown above can be located in the current LCN Price List.

LCN 4020T SERIES "SMOOTHEE"

Please specify finish **(F)**, size **(S)**, hand **(H)**, & voltage **(V)** where indicated. See the latest edition of the LCN Catalog for part descriptions and specifications on many of the items shown above. List prices for items shown above can be located in the current LCN Price List.