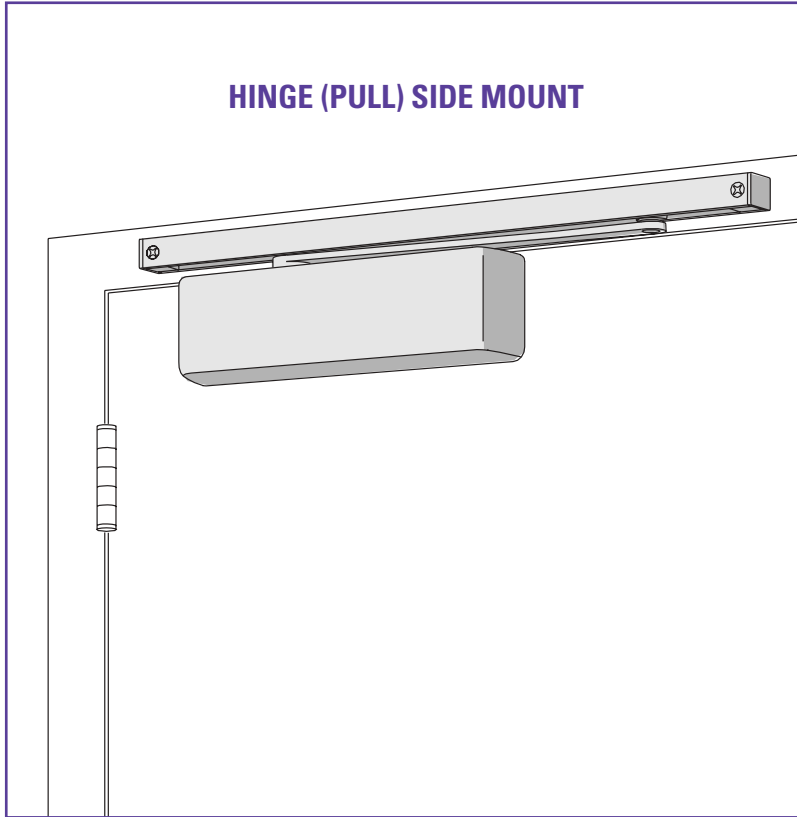


# LCN 4010T SERIES

FEATURES



*The 4010T SMOOTHIE® is LCN's best performing heavy duty track closer designed specifically for interior doors in institutional and other rugged high traffic applications.*

- ▶ **Cast Iron**
- ▶ **Forged Steel Arm**
- ▶ **Double Heat Treated Steel Pinion**
- ▶ **All Weather Fluid**
- ▶ **Fast & Accurate Installation**
- ▶ **UL & ULC Listed**

- ▶ Standard 4010T series closer shipped with standard arm, standard track, track roller, standard plastic cover, and self reaming and tapping screws. See 4010T Series pages 11 & 12 for options.
- ▶ Sized cylinders for interior doors to 4'0".
- ▶ Closer mounts hinge side, specify right or left swinging door.
- ▶ Closers to meet ADA requirements. See 4010T Series page 13.
- ▶ Standard or optional custom powder coat finish.
- ▶ Optional plated finish on cover, arm and fasteners.
- ▶ Optional SRI primer for installations in corrosive conditions.
- ▶ 4010T-DE available for double egress frames. See 4010T Series page 11.
- ▶ The 4010T Series is UL and ULC listed with a standard track for self-closing doors.
- ▶ Tested and certified under ANSI Standard A156.4, grade one.

MOUNTING					FINISH		COVER		CYLINDER			**ARM FUNCTION										
HINGE (PULL) SIDE	TOP JAMB (PULL)	TOP JAMB (PUSH)	PARALLEL ARM	STOP FACE	POWDER COAT	PLATED	PLASTIC	METAL	DESIGNER METAL	NON-HANDED	NON-SIZED	ACCESSIBILITY	DELAYED ACTION	AVB***	REGULAR (DOUBLE)	STANDARD (SINGLE)	HOLD-OPEN	FUSIBLE LINK	EDA/HEDA	CUSH/HCUSH	SCUSH/SHCUSH	
●	○	○	○	○	●	●	●	●	○	○	○	○	○	○	○	○	○	○	○	○	○	○

● Available  
○ Not available

♿ Closer available with less than 5.0 lbs. opening force on 36" door.  
\*\* Maximum opening with standard template.  
\*\*\* Advanced Variable Backcheck

# LCN 4010T SERIES

## MOUNTING DETAILS

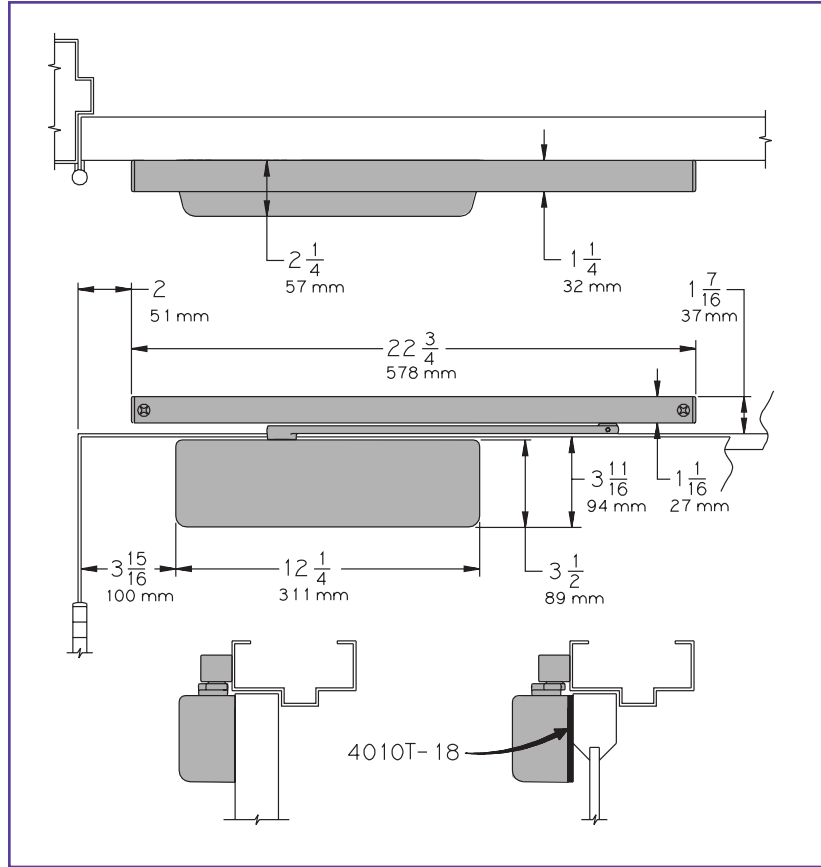
### HINGE (PULL) SIDE MOUNTING

#### MAXIMUM OPENING

Templating allows 180° with standard arm, limited to 120° when optional bumper is installed.

Consult factory if door will be held open at 180°

Hold-open points at , 90°, 95°, 100°, 105°, 110° or 120°, depending on the clip location in track.



- ▶ **Butt Hinges** should not exceed 5" (127 mm) in width.
- ▶ **Auxiliary Stop** is recommended at hold-open point or where a door cannot swing 180°. Optional track bumper assembly assists backcheck in cushioning the opening swing of the door. It is not intended to replace an auxiliary stop.
- ▶ **Reveal** should not exceed 1/8" (3 mm) for standard arm. Should not exceed 3 5/16" (84 mm) for double egress arm.
- ▶ **Top Rail** less than 3 3/4" (95 mm) requires PLATE, 4010T-18. Plate requires 2" (51 mm) minimum.
- ▶ **Head Frame** requires 1 1/2" (38 mm) minimum.
- ▶ **Clearance** of 2 1/4" (57 mm) behind door required for 90° or 180° installation.

#### Options

- ▶ Standard track with bumper, hold-open track, hold-open track with bumper.
- ▶ Double egress arm.
- ▶ Metal or lead lined cover.

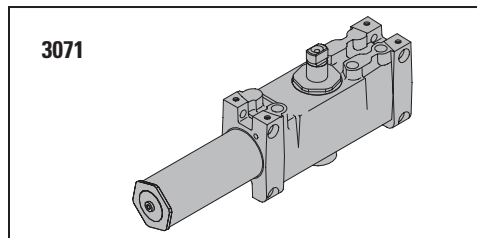
#### Special Templates

Customized installation templates or products may be available to solve unusual applications. Contact LCN for assistance.

## CYLINDERS

### CYLINDER, 4010T-3071

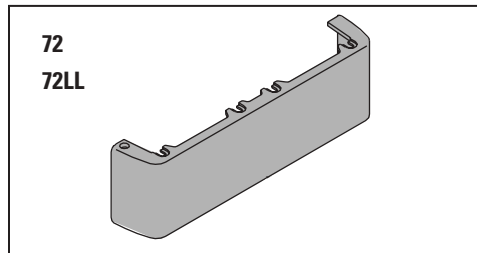
Standard, handed cast iron cylinder assembly.  
For various applications see "Table of Sizes" on 4010T Series page 13.



## COVERS

### COVER, 4010T-72

Standard, non-handed plastic cover.

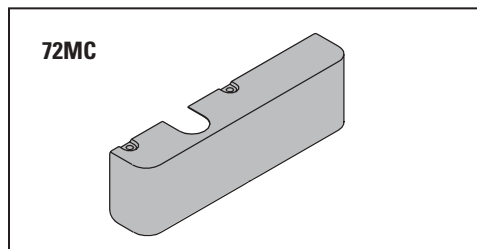


### LEAD LINED COVER, 4010T-72LL

Optional, non-handed cover.

### METAL COVER, 4010T-72MC

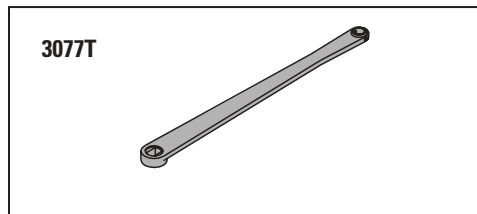
Optional, handed cover. Required for plated finishes and custom powder coat finishes



## ARMS

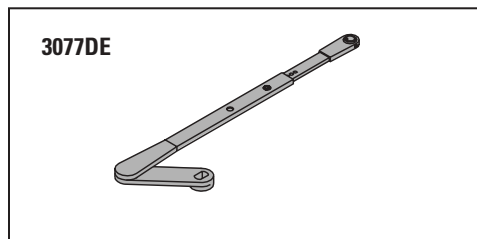
### STANDARD ARM, 4010T-3077T

Handed arm.  
Arm does not include track roller.



### DOUBLE EGRESS ARM, 4010T-3077DE

Optional, handed arm for double egress doors and frames.  
Arm does not include track roller.  
Maximum reveal is 3 5/16" (84mm).



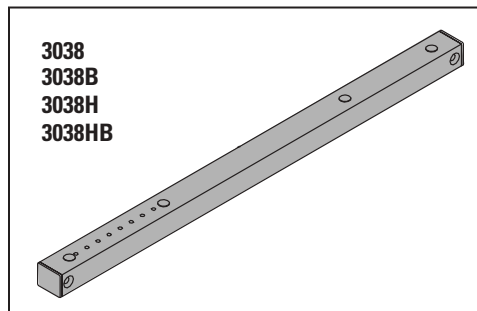
## TRACKS

### STANDARD TRACK, 4010T-3038

Standard, non hold-open, non-handed track.  
Will accept hold-open clip and/or bumper assembly.

### STANDARD TRACK with BUMPER, 4010T-3038B

Optional non hold-open, non-handed track with bumper assembly installed.  
Will accept hold-open clip.



### HOLD-OPEN TRACK, 4010T-3038H

Optional, non-handed track with hold-open clip installed.  
Will accept bumper assembly.

### HOLD-OPEN TRACK with BUMPER, 4010T-3038HB

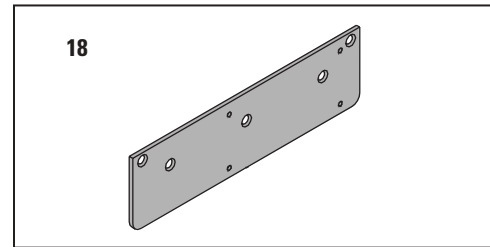
Optional, non-handed track with hold-open clip and bumper assembly installed.

# LCN 4010T SERIES

## INSTALLATION ACCESSORIES

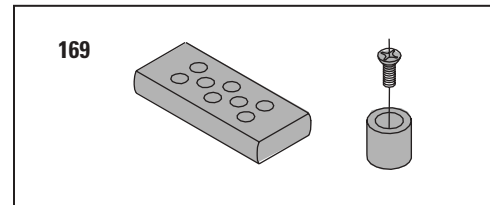
### PLATE, 4010T-18

Required where top rail is less than 3 3/4" (95 mm).  
Plate requires minimum 2" (51 mm) top rail.



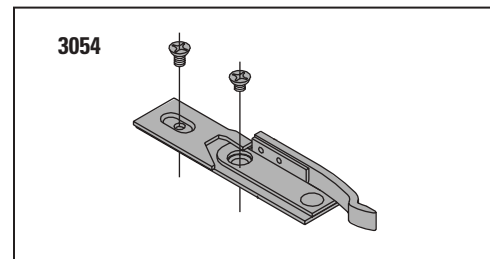
### TRACK BUMPER, 4010T-169

Mounts in track to assist backcheck, does not replace auxiliary stop.  
Limits maximum opening.  
Consists of bumper, bumper post, and mounting screw.



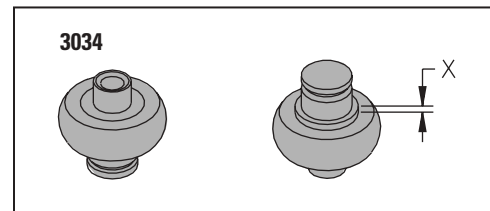
### HOLD-OPEN CLIP, 4010T-3054

Mounts in track to provide hold-open function.  
Hold-open point controlled by clip location.



### TRACK ROLLER, 4010T-3034

Quiet, low friction roller assembly.  
Shoulder dimension "X" = 1/16" (2mm).



**TABLE OF SIZES** Select closer based on width of door.  
Sized 4010T series cylinders available in size 1,3 or 4.  
Closing power of all 4010T Series closers may be increased 15%.

→ Indicates recommended range of door width for closer size.

**INTERIOR DOOR WIDTH**


	26" 660mm	34" 868mm	38" 965mm	48" 1219mm
<b>4013T</b>	size 1	size 3		size 4
<b>4014T</b>				→
Minimum Door Width				

**\*\*Note:** Using this closer on double-egress doors and frames requires the closer to be ordered with a "DE" suffix (i.e., 4014T DE). Standard "DE" option will accommodate pull side reveals up to 3 5/16". For deeper reveals, consult factory.

**REDUCED OPENING FORCE 4010T CLOSERS**

**CAUTION!** Any manual door closer, including those certified by BHMA to conform to ANSI Standard A156.4, that is selected, installed and adjusted based on ADA or other reduced opening force requirements may not provide sufficient power to reliably close and latch a door.

Refer to POWER OPERATORS section for information on systems that meet reduced opening force requirements without effecting closing power.

	DOOR WIDTH	36"	42"	48"
	8.5* lbs.	N/A	N/A	N/A
	5.0* lbs.	4011T	4011T	4011T

\* Maximum opening force

**HOW-TO-ORDER  
4010T SERIES CLOSERS**

**1. SPECIFY CYLINDER SIZE**

- 4011T (ADA)
- 4013T
- 4014T

**2. SPECIFY HAND**

- RH
- LH

**3. SPECIFY FINISH**

- Standard Powder Coat \_\_\_\_\_  
Aluminum, Dark Bronze, Tan, Statuary,  
Light Bronze, Black, Brass.

**Closer will be shipped with:**

- STANDARD COVER,
- STANDARD ARM,
- TRACK ROLLER,
- STANDARD TRACK,
- SELF-REAMING and TAPPING SCREWS,  
unless options listed below are selected.

**CLOSER OPTIONS**

**COVER**

- Lead Lined (LL)
- Metal (MC)

**ARM**

- Double Egress (DE)\*\*

**TRACK**

- Regular with Bumper (BUMPER)
- Hold-Open (HO)
- Hold-Open with Bumper (HBUMPER)

**FINISH**

- Custom Powder Coat (RAL) \_\_\_\_\_  
(handed metal cover required)
- Plated Finish, US \_\_\_\_\_  
(handed metal cover required)
- SRI primer

**SCREW PACK**

- TB\* & SRT Screw (TBSRT)
  - Wood & Machine Screw (WMS)
  - TB\*, Wood & Machine Screw (TBWMS)
  - TORX Machine Screw (TORX)
  - TB\* & TORX Machine Screw (TBTRX)
- \* Specify door thickness if other than 1 3/4".

**INSTALLATION ACCESSORY**

- Plate, 4010T-18

**SPECIAL TEMPLATE**

- ST- \_\_\_\_\_