

LCN 4010 SERIES "SMOOTHEE"

Cylinder Assemblies

4011(2-6)-3071	Cylinder Assembly	F, S, H
	<i>Includes screw pack (SRT standard – please specify other)</i>	
	<i>Size '1' cylinder is adjustable from size 1-5</i>	
4011(2-5)-3071DEL	Cylinder Assembly w/Delay	F, S, H
	<i>Includes screw pack (SRT standard – please specify other)</i>	
	<i>Size '1' cylinder is adjustable from size 1-5</i>	
4011-3071TEL	Cylinder Assembly w/TEL	F, S, H
	<i>Includes screw pack (SRT standard – please specify other)</i>	

Individual Cylinder Parts

Individual cylinder parts for 4010-3071

4010-159	Arm Screw	F
----------	-----------	---

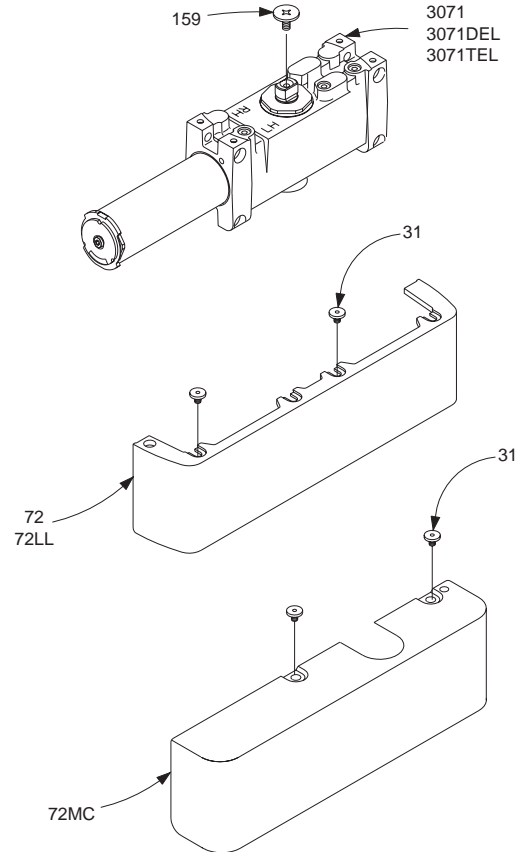
Covers

4010-72	Standard Cover	F
	<i>Includes 4010-31 (2)</i>	
4010-72LL	Lead Lined Cover	F
	<i>Includes 4010-31 (2)</i>	
4010-72MC	Metal Cover	F, H
	<i>Includes 4010-31 (2)</i>	

Individual Cover Parts

Individual cover parts for 4010-72, -72LL, & -72MC

4010-31	Cover Screw	F
---------	-------------	---



Please specify finish (**F**), size (**S**), hand (**H**), & voltage (**V**) where indicated. See the latest edition of the LCN Catalog for part descriptions and specifications on many of the items shown above. List prices for items shown above can be located in the current LCN Price List.

LCN 4010 SERIES "SMOOTHEE"

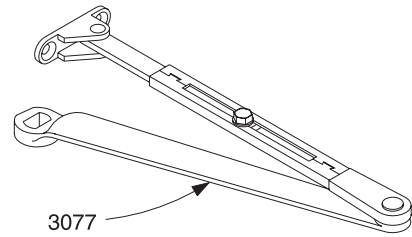
Complete Arm Assemblies

4010-3077	Regular Arm	F
	<i>Includes 4010-77, -79, -83, & -159</i>	
4010-3049	Hold-Open Arm	F, H
	<i>Includes 4010-37, -41, -48, -49, -79H, -83H, & -159</i>	

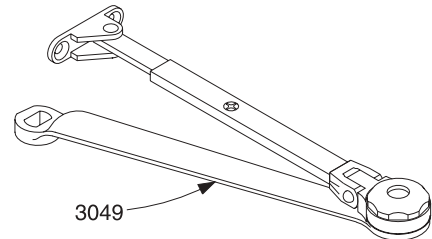
Individual Arm Parts

Individual arm parts for 4010-3077 & -3049

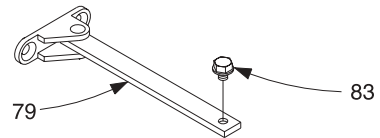
4010-37	Hold-Open Stud	F, H
4010-41	Hold-Open Nut	F
4010-48	Hold-Open Forearm	F
4010-49	Hold-Open Main Arm	F, H
	<i>Includes 4010-159</i>	
4010-77	Main Arm & Forearm	F
	<i>Includes 4010-159</i>	
4010-79	Rod & Shoe	F
	<i>Includes 4010-83</i>	
4010-79H	Hold-Open Rod & Shoe	F
	<i>Includes 4010-83H</i>	
4010-83	Arm Screw	F
4010-83H	H Arm Screw	F
4010-159	Arm Screw	F



3077

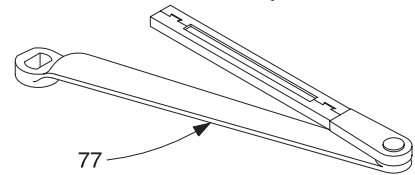


3049

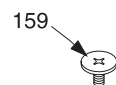


79

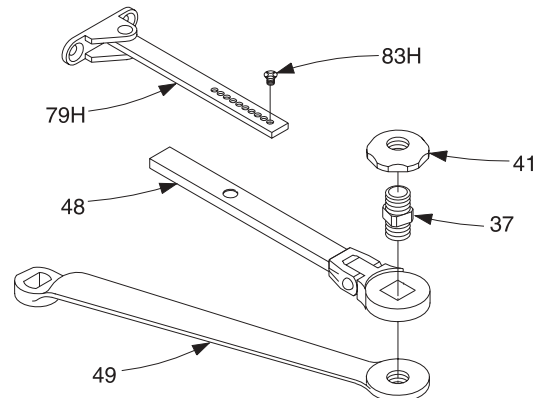
83



77



159



79H

83H

41

37

48

49

Please specify finish (F), size (S), hand (H), & voltage (V) where indicated. See the latest edition of the LCN Catalog for part descriptions and specifications on many of the items shown above. List prices for items shown above can be located in the current LCN Price List.

LCN 4010 SERIES "SMOOTHEE"

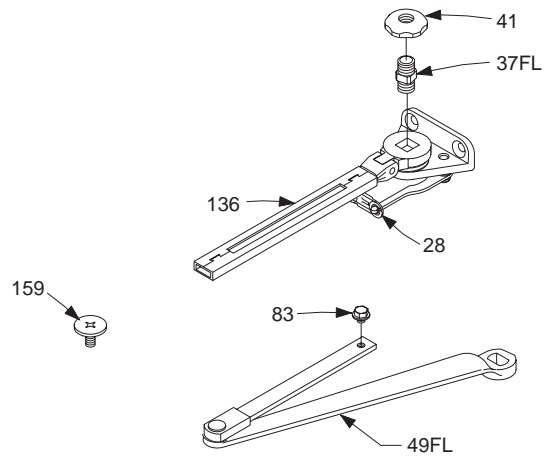
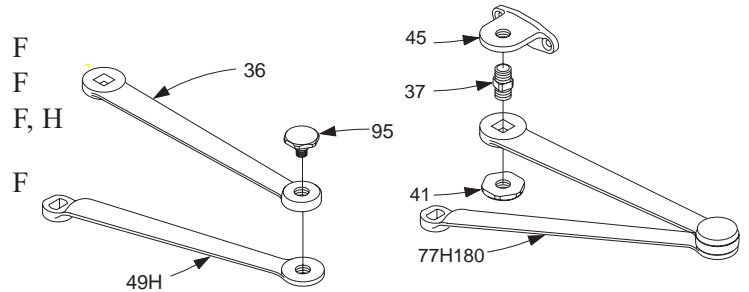
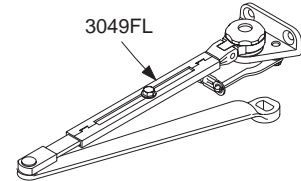
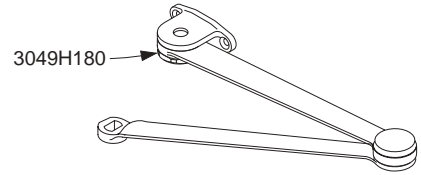
Complete Arm Assemblies

4010-3049H180	180 Hold-Open Arm	F, H
	<i>Includes 4010-37, -41, -45, -77H180, & -159</i>	
	<i>(Requires the use of 4010-11 corner bracket)</i>	
4010-3049FL	Fusible Link Arm	F, H
	<i>Includes 4010-49FL, -83, -136, & -159</i>	

Individual Arm Parts

Individual arm parts for 4010-3049H180 & -3049FL

4010-28	Fusible Link	
	<i>(Release temperature 165° F standard; 135° F optional)</i>	
4010-36	H180 Forearm	F
4010-37	Hold-Open Stud	F, H
4010-37FL	FL Hold-Open Stud	F, H
4010-41	Hold-Open Nut	F
4010-45	Hold-Open Shoe	F, H
4010-49FL	FL Main Arm & Rod	F
	<i>Includes 4010-83 & -159</i>	
4010-49H	180 H Main Arm	F
4010-77H180	Arm Assembly	F
	<i>Includes 4010-159</i>	
4010-83	Arm Screw	F
4010-95	Arm Stud	F
4010-136	FL Forearm	F, H
	<i>Includes 4010-28, -37FL, & -41</i>	
4010-159	Arm Screw	F



Please specify finish (F), size (S), hand (H), & voltage (V) where indicated. See the latest edition of the LCN Catalog for part descriptions and specifications on many of the items shown above. List prices for items shown above can be located in the current LCN Price List.

LCN 4010 SERIES "SMOOTHEE"

Mounting Plates

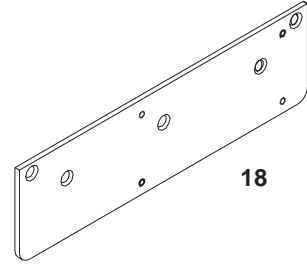
4010-18	Mounting Plate	F
---------	----------------	---

Corner Brackets

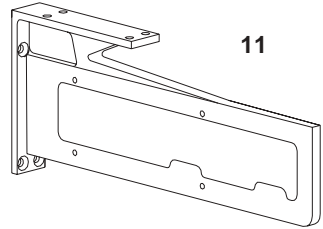
4010-11	Corner Bracket	F, H
4010-16	Corner Bracket	F, H
4010-17	Corner Bracket	F, H

Installation Accessories

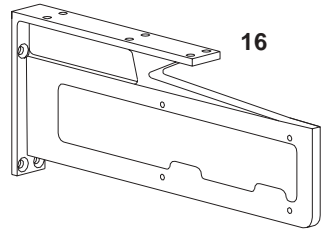
4010-65	Soffit Shoe	F
---------	-------------	---



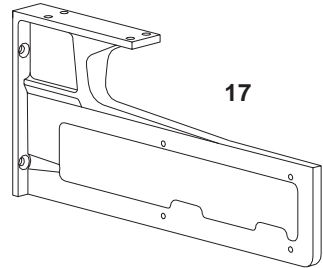
18



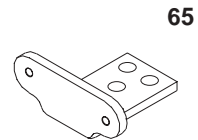
11



16



17



65

Please specify finish (F), size (S), hand (H), & voltage (V) where indicated. See the latest edition of the LCN Catalog for part descriptions and specifications on many of the items shown above. List prices for items shown above can be located in the current LCN Price List.