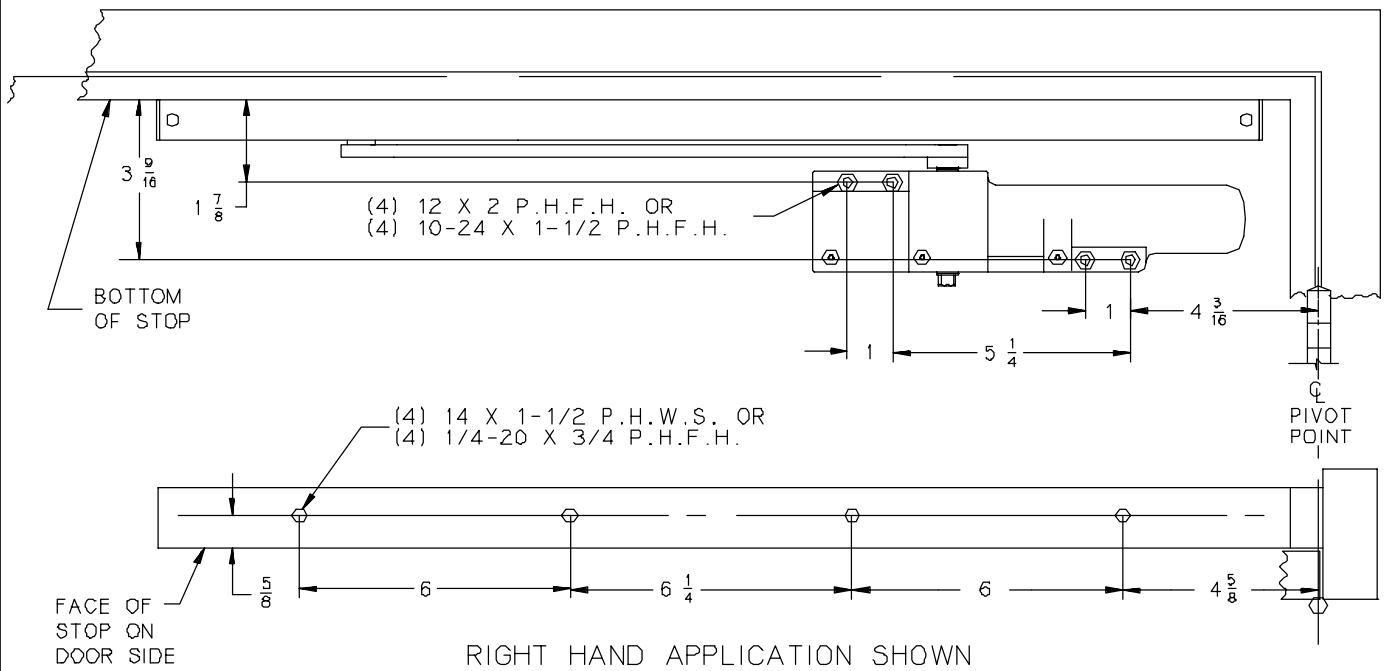


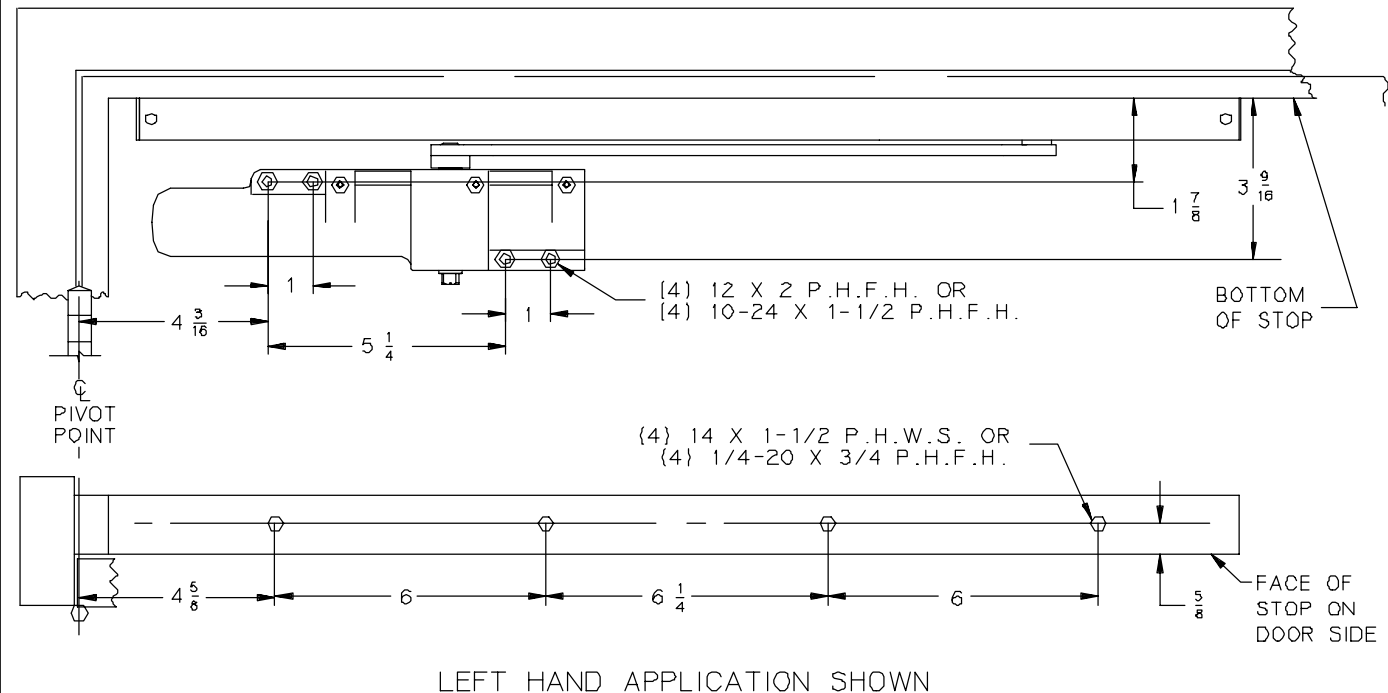
PUSH SIDE MOUNTING APPLIES TO:

1521T } HOLD OPEN UP TO 115°
/523T } MAXIMUM OPENING 120°



PUSH SIDE MOUNTING APPLIES TO:

1521T } HOLD OPEN UP TO 115°
/523T } MAXIMUM OPENING 120°



- GENERAL NOTES- * 1. LOCATE CLOSER & TRACK FROM ϕ OF PIVOT OR SWING CLEAR HINGE PIN IF USED.
2. REINFORCING PER ANSI/SDI-100 RECOMMENDED FOR HOLLOW METAL DOORS & FRAMES.
3. CLOSER SIZE IS $10\frac{3}{8} \times 2\frac{7}{8} \times 1\frac{3}{4}$

INCH	$\frac{3}{8}$	$\frac{7}{16}$	$\frac{5}{8}$	1	$1\frac{3}{16}$	$1\frac{5}{8}$	$1\frac{7}{8}$	$2\frac{1}{8}$
M.M.	9	11	16	25	30	41	48	53
INCH	$2\frac{1}{2}$	3	$3\frac{9}{16}$	$5\frac{1}{4}$	6	$6\frac{1}{4}$	$8\frac{3}{4}$	$23\frac{3}{4}$
M.M.	62	76	89	131	150	158	219	594

No.	REVISION	BY	DATE

LCN®

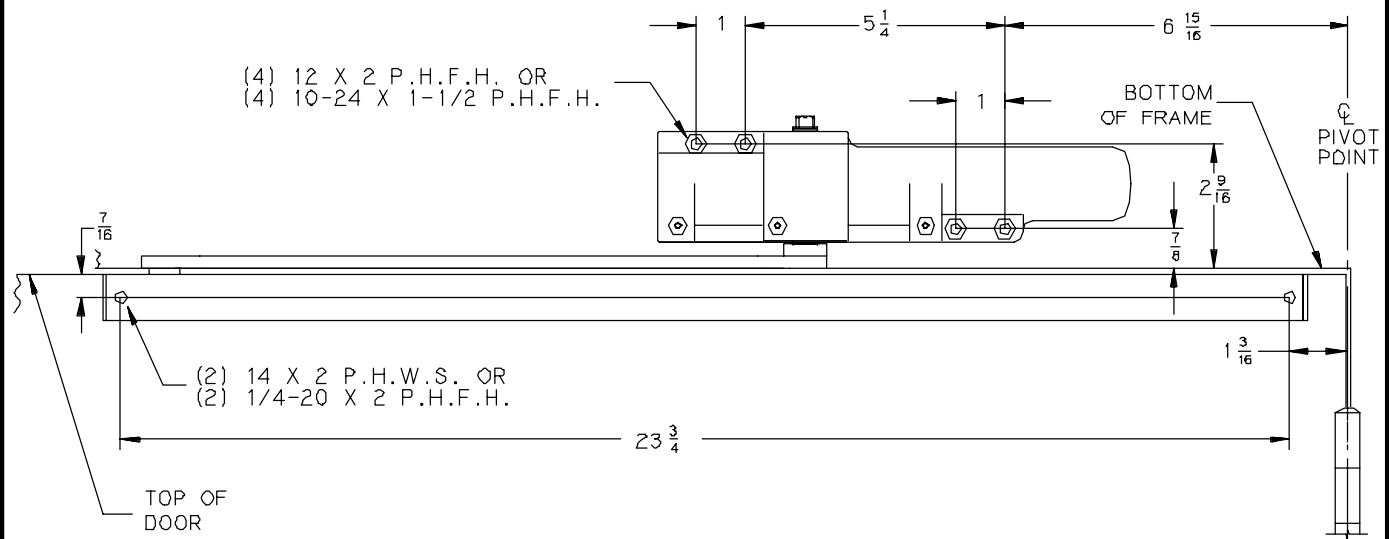
APP BY AMM 2/99
DO NOT SCALE

1521T SERIES CLOSER
(PUSH SIDE MOUNTED)

1521 T (PUSH SIDE)

PULL SIDE MOUNTING APPLIES TO:

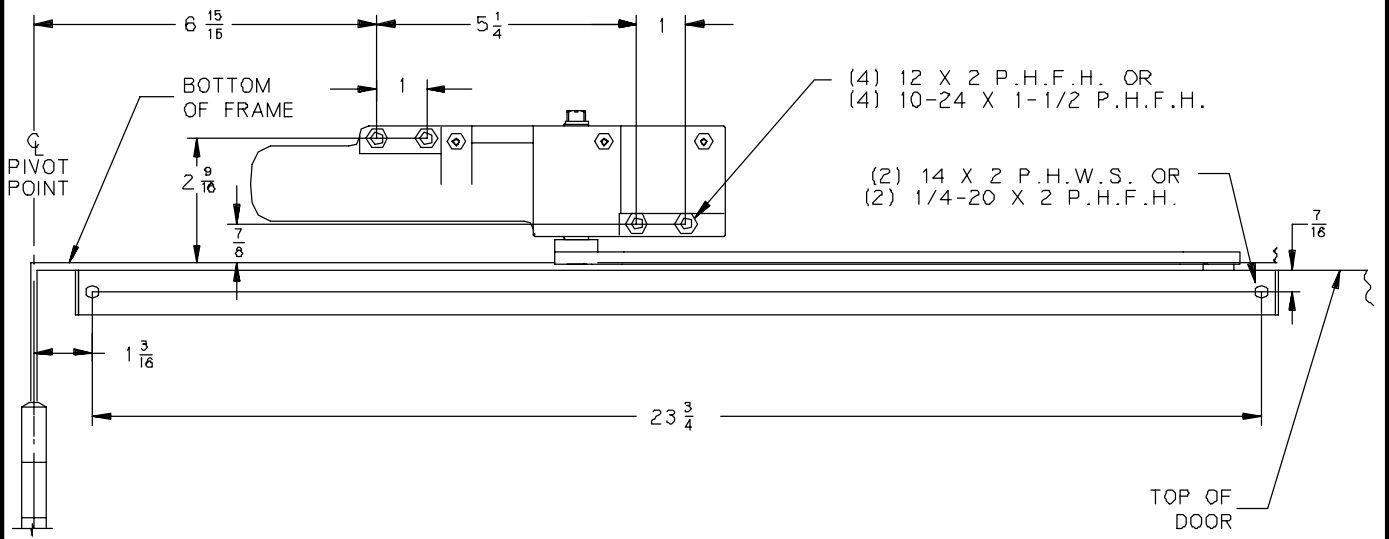
1521T } HOLD OPEN (85° TO 110°)
/523T } MAXIMUM OPENING 180°



LEFT HAND APPLICATION SHOWN

PULL SIDE MOUNTING APPLIES TO:

1521T } HOLD OPEN (85° TO 110°)
/523T } MAXIMUM OPENING 180°



RIGHT HAND APPLICATION SHOWN

GENERAL NOTES-

- * 1. LOCATE CLOSER & TRACK FROM C OF PIVOT OR SWING CLEAR HINGE PIN IF USED.
- 2. REINFORCING PER ANSI/SDI-100 RECOMMENDED FOR HOLLOW METAL DOORS & FRAMES.
- 3. CLOSER SIZE IS $10\frac{3}{8} \times 2\frac{7}{8} \times 1\frac{3}{4}$

INCH	$\frac{3}{8}$	$\frac{7}{16}$	$\frac{7}{8}$	1	$1\frac{3}{16}$	$1\frac{5}{8}$	$1\frac{7}{8}$	$2\frac{1}{8}$
M.M.	9	11	22	25	30	41	48	53
INCH	$2\frac{9}{16}$	3	$4\frac{3}{16}$	$5\frac{1}{4}$	6	$6\frac{1}{4}$	$8\frac{3}{4}$	$23\frac{3}{4}$
M.M.	64	76	105	131	150	156	219	594

No.	REVISION	BY	DATE	LCN [®] 1521T SERIES CLOSER (PULL SIDE MOUNTED ABOVE DOOR)	APP BY AMM 2/99
					DO NOT SCALE
				1521 T (PULL SIDE)	