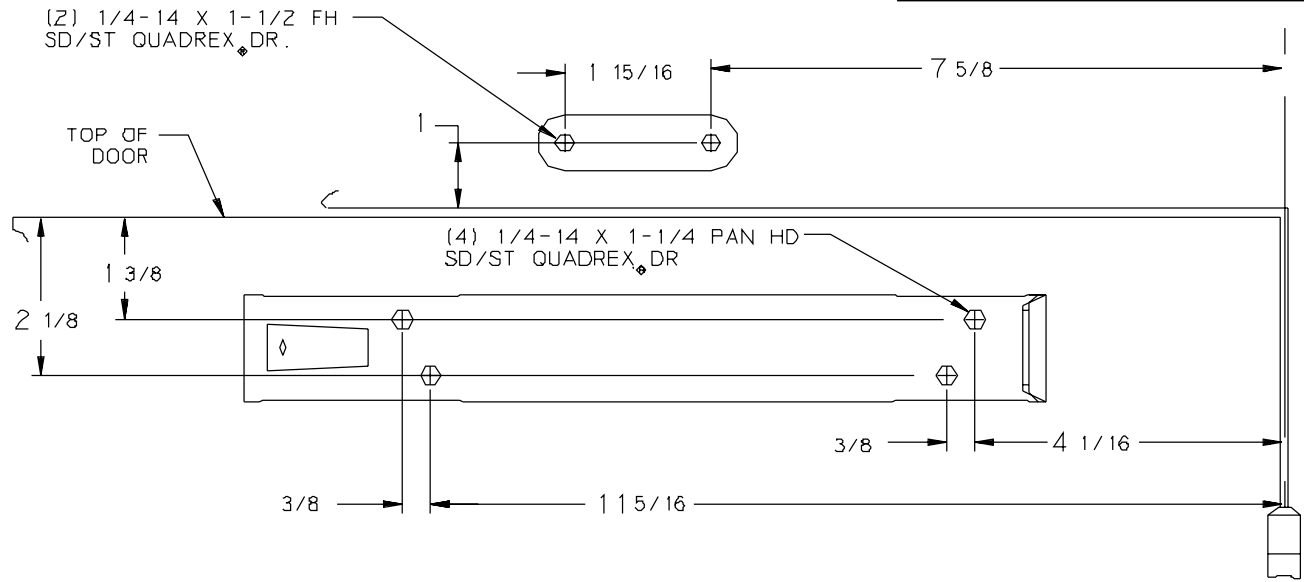


PULL SIDE MOUNTING APPLIES TO:

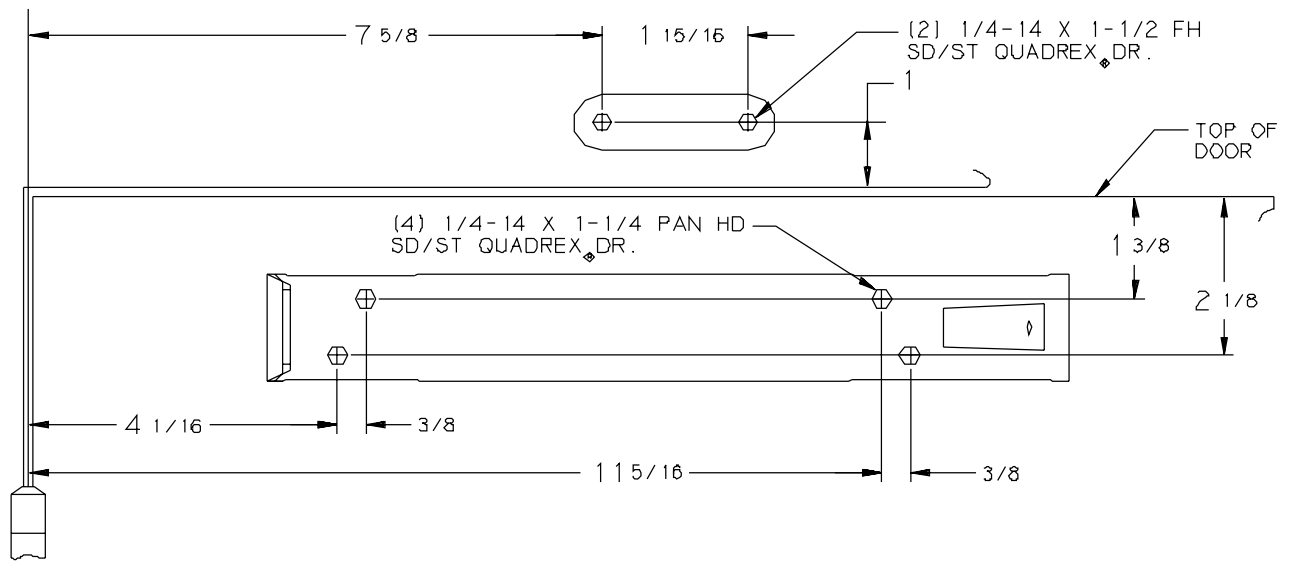
1371 } HOLD OPEN UP TO 180°
 MAXIMUM OPENING 180°



LEFT HAND APPLICATION SHOWN

PULL SIDE MOUNTING APPLIES TO:

1371 } HOLD OPEN UP TO 180°
 MAXIMUM OPENING 180°



RIGHT HAND APPLICATION SHOWN

GENERAL NOTES-

1. LOCATE CLOSER & ARM FROM ϕ OF PIVOT OR SWING CLEAR HINGE PIN IF USED.
2. REINFORCING PER ANSI/SDI-100 RECOMMENDED FOR HOLLOW METAL DOORS & FRAMES
3. CLOSER SIZE IS $10\frac{3}{8} \times 2\frac{7}{8} \times 1\frac{3}{4}$

INCH	$\frac{3}{8}$	$\frac{1}{2}$	1	$1\frac{1}{4}$	$1\frac{5}{16}$	$1\frac{3}{8}$	$1\frac{7}{8}$	$1\frac{15}{16}$
M.M.	9	13	25	31	33	34	47	48

INCH	$2\frac{1}{8}$	3	$3\frac{3}{4}$	$4\frac{1}{16}$	$5\frac{1}{2}$	$5\frac{9}{16}$	$7\frac{1}{4}$	$7\frac{5}{8}$
M.M.	53	75	94	102	138	139	181	191

INCH	$8\frac{1}{2}$	$8\frac{7}{8}$	$9\frac{1}{16}$	$11\frac{7}{8}$	$12\frac{13}{16}$
M.M.	213	222	227	297	320

No.	REVISION	BY	DATE

LCN®

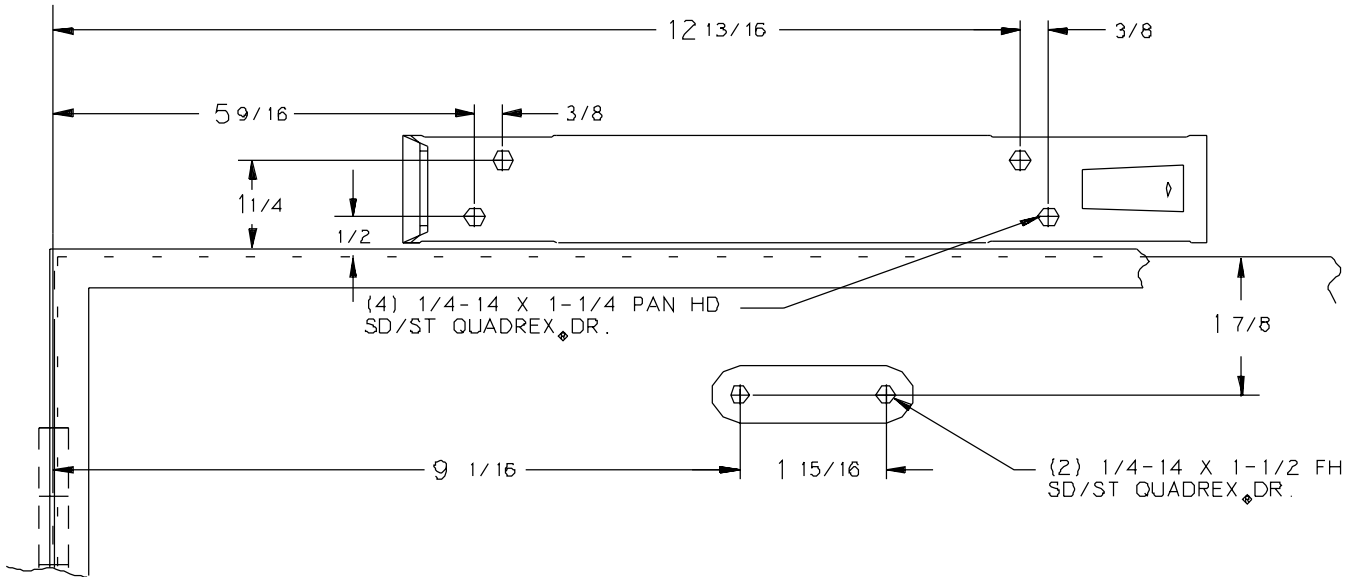
APP BY AMM 3/99
 DO NOT SCALE

1371 SERIES CLOSER
 (PULL SIDE MOUNTED) ON DOOR

1371 (PULL SIDE)

PUSH SIDE MOUNTING APPLIES TO:

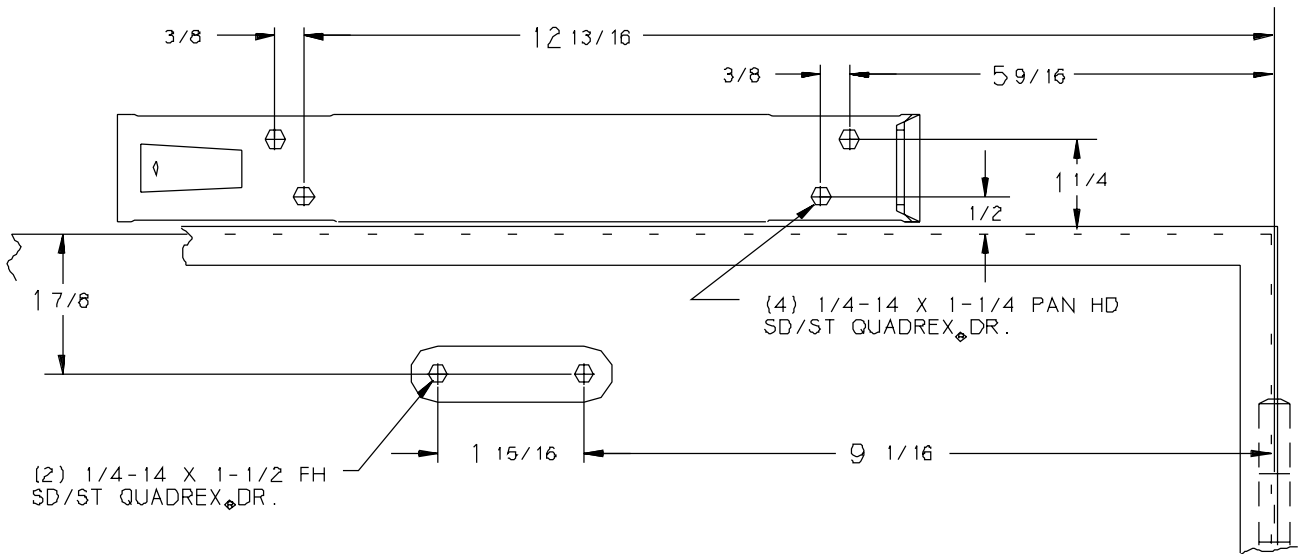
1371 } HOLD OPEN UP TO 180°
 MAXIMUM OPENING 180°



LEFT HAND APPLICATION SHOWN

PUSH SIDE MOUNTING APPLIES TO:

1371 } HOLD OPEN UP TO 180°
 MAXIMUM OPENING 180°



RIGHT HAND APPLICATION SHOWN

GENERAL NOTES-

1. LOCATE CLOSER & ARM FROM ϕ OF PIVOT OR SWING CLEAR HINGE PIN IF USED.
2. REINFORCING PER ANSI/SDI-100 RECOMMENDED FOR HOLLOW METAL DOORS & FRAMES.
3. CLOSER SIZE IS $10\frac{3}{8} \times 2\frac{7}{8} \times 1\frac{3}{4}$

INCH	$\frac{3}{8}$	$\frac{1}{2}$	1	$1\frac{1}{4}$	$1\frac{5}{16}$	$1\frac{3}{8}$	$1\frac{7}{8}$	$1\frac{15}{16}$
M.M.	9	13	25	31	33	34	47	48

INCH	$2\frac{1}{8}$	3	$3\frac{3}{4}$	$4\frac{1}{16}$	$5\frac{1}{2}$	$5\frac{9}{16}$	$7\frac{1}{4}$	$7\frac{5}{8}$
M.M.	53	75	94	102	138	139	181	191

INCH	$B\frac{1}{2}$	$8\frac{7}{8}$	$9\frac{1}{16}$	$11\frac{7}{8}$	$12\frac{13}{16}$
M.M.	213	222	227	297	320

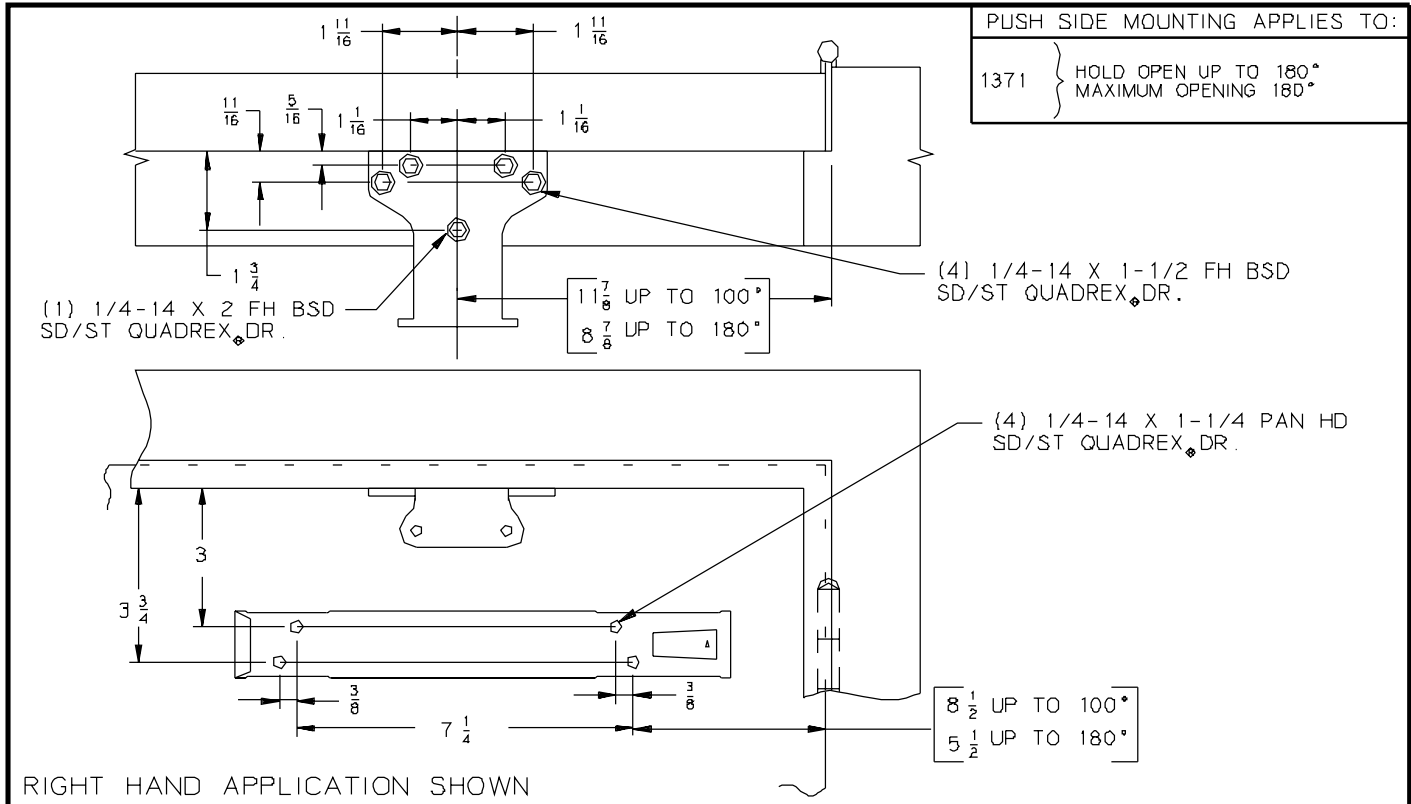
No.	REVISION	BY	DATE

LCN[®]

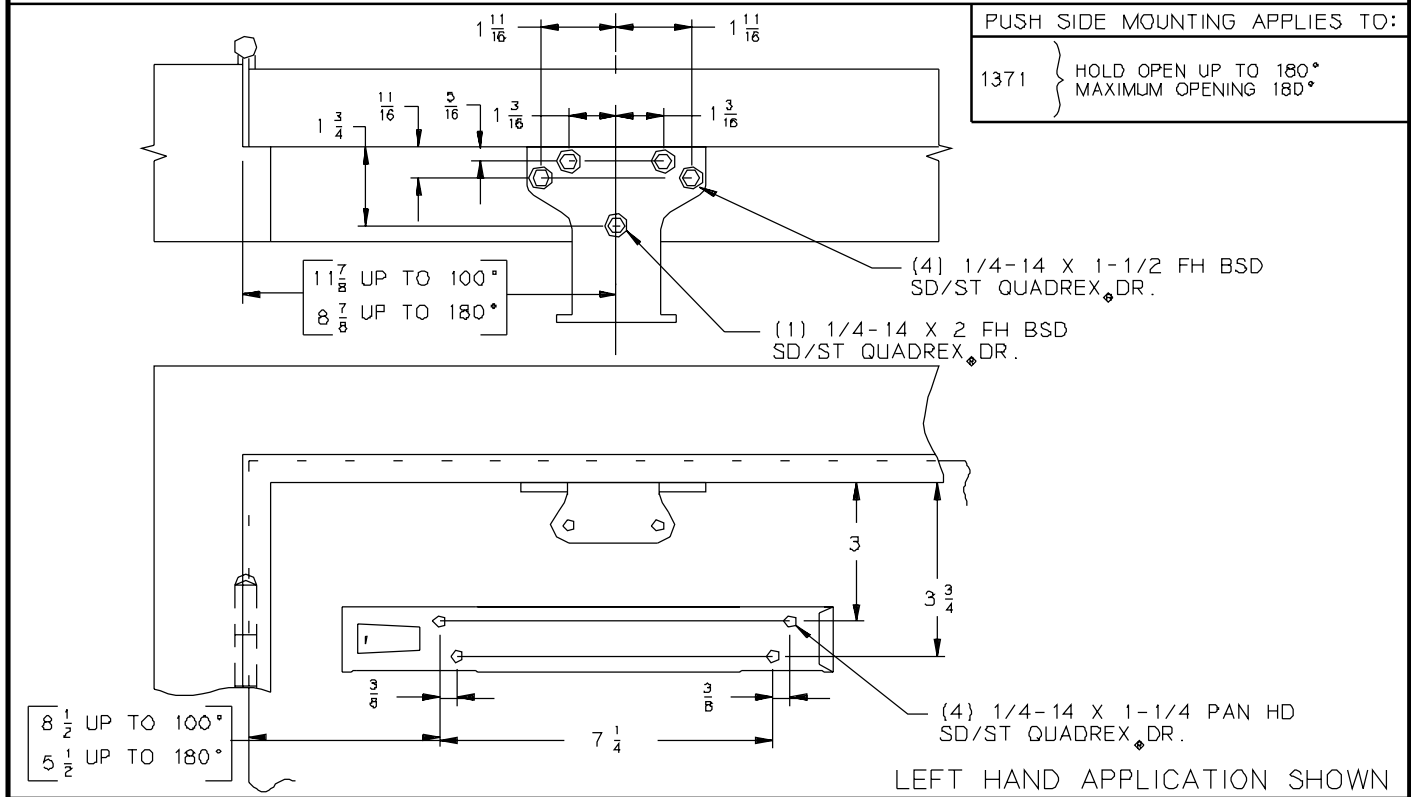
APP BY AMM 3/99
 DO NOT SCALE

1371 SERIES CLOSER
 (PUSH SIDE MOUNTED) ON FRAME

1371 (PUSH SIDE)



RIGHT HAND APPLICATION SHOWN



LEFT HAND APPLICATION SHOWN

GENERAL NOTES-

1. LOCATE CLOSER & SHOE FROM \bar{C} OF PIVOT OR SWING CLEAR HINGE PIN IF USED.
2. REINFORCING PER ANSI/SDI-100 RECOMMENDED FOR HOLLOW METAL DOORS & FRAMES.
3. CLOSER SIZE IS $11\frac{1}{2} \times 3 \times 2\frac{5}{8}$

INCH	$\frac{3}{8}$	$\frac{1}{2}$	1	$1\frac{1}{4}$	$1\frac{5}{16}$	$1\frac{3}{8}$	$1\frac{7}{8}$	$1\frac{15}{16}$
M.M.	9	13	25	31	33	34	47	48
INCH	$2\frac{1}{8}$	3	$3\frac{3}{4}$	$4\frac{1}{16}$	$5\frac{1}{2}$	$5\frac{9}{16}$	$7\frac{1}{4}$	$7\frac{5}{8}$
M.M.	53	75	94	102	138	139	181	191
INCH	$8\frac{1}{2}$	$8\frac{7}{8}$	$9\frac{1}{16}$	$11\frac{1}{8}$	$12\frac{3}{16}$			
M.M.	213	222	227	297	320			

No.	REVISION	BY	DATE	LCN®	APP BY
				1371 SERIES CLOSER/PARALLEL ARM (PUSH SIDE MOUNTED)	AMM 3/99
				1371 (PUSH SIDE)	DO NOT SCALE