

LCN 1070 SERIES "Thriftee"

Cylinder Assemblies

1071(4-5)-3071	Cylinder Assembly	F, S
	<i>Includes screw pack (WMS standard – please specify other)</i>	
	<i>Size '1' cylinder is adjustable from size 1-3</i>	

Individual Cylinder Parts

Individual cylinder parts for 1071-3071

1070-159	Arm Screw	F
----------	-----------	---

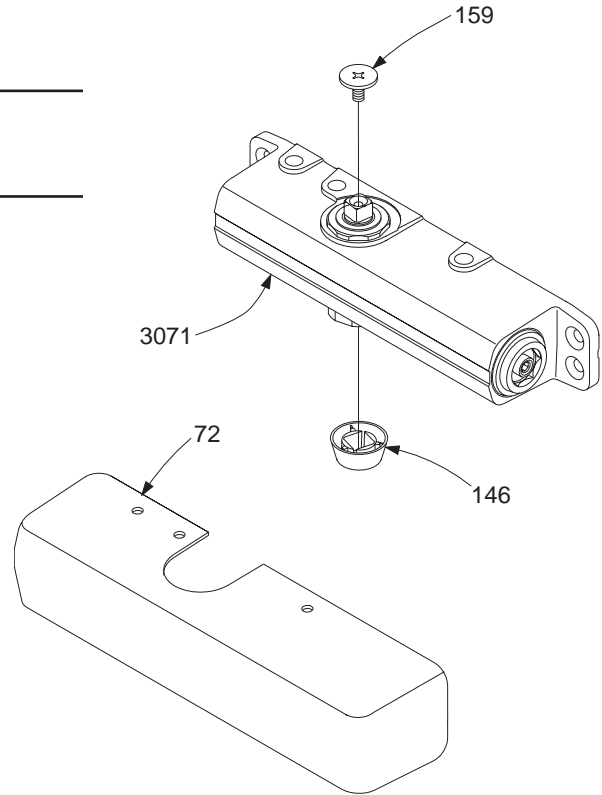
Covers

1070-72	Standard Cover	F
---------	----------------	---

Individual Cover Parts

Individual cover parts for 1070-72

1070-146	Shaft Cover	F
----------	-------------	---



Please specify finish (**F**), size (**S**), hand (**H**), & voltage (**V**) where indicated. See the latest edition of the LCN Catalog for part descriptions and specifications on many of the items shown above. List prices for items shown above can be located in the current LCN Price List.

LCN 1070 SERIES "Thriftee"

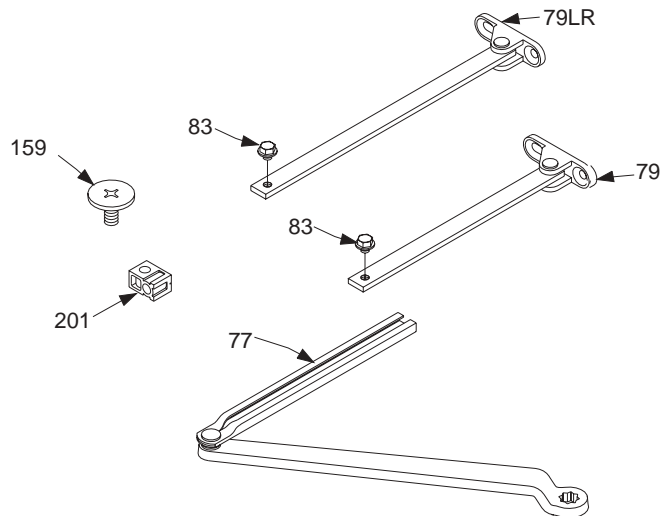
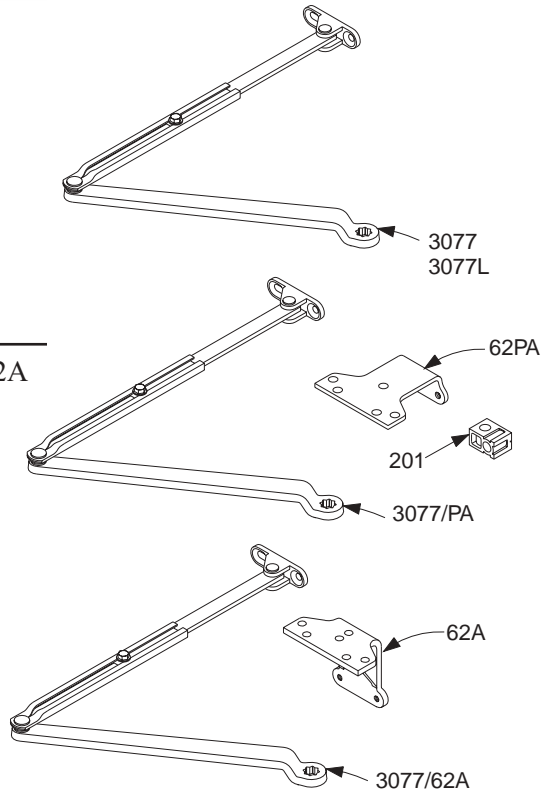
Complete Arm Assemblies

1070-3077	Regular Arm	F
	<i>Includes 1070-77, -79, -83, & -159</i>	
1070-3077L	Long Arm	F
	<i>Includes 1070-77, -79LR, -83, & -159</i>	
1070-3077/PA	Regular Arm w/PA	F
	<i>Includes 1070-62PA, -77, -79, -83, 159, & -201</i>	
1070-3077/62A	Regular Arm w/62A	F
	<i>Includes 1070-62A, -77, -79, -83, & -159</i>	

Individual Arm Parts

Individual arm parts for 1070-3077, -3077L, -3077/PA, & -3077/62A

1070-62A	Auxiliary Parallel Arm Shoe	F
1070-62PA	Parallel Arm Shoe	F
	<i>Includes 1070-201</i>	
1070-77	Main Arm & Forearm	F
	<i>Includes 1070-159</i>	
1070-79	Rod & Shoe	F
	<i>Includes 1070-83 / Length is 8 3/8" (213mm)</i>	
1070-79LR	Long Rod & Shoe	F
	<i>Includes 1070-83 / Length is 12 3/8" (314mm)</i>	
1070-83	Arm Screw	F
1070-159	Arm Screw	F
1070-201	Fifth Screw Spacer	



Please specify finish (F), size (S), hand (H), & voltage (V) where indicated. See the latest edition of the LCN Catalog for part descriptions and specifications on many of the items shown above. List prices for items shown above can be located in the current LCN Price List.

LCN 1070 SERIES "Thriftee"

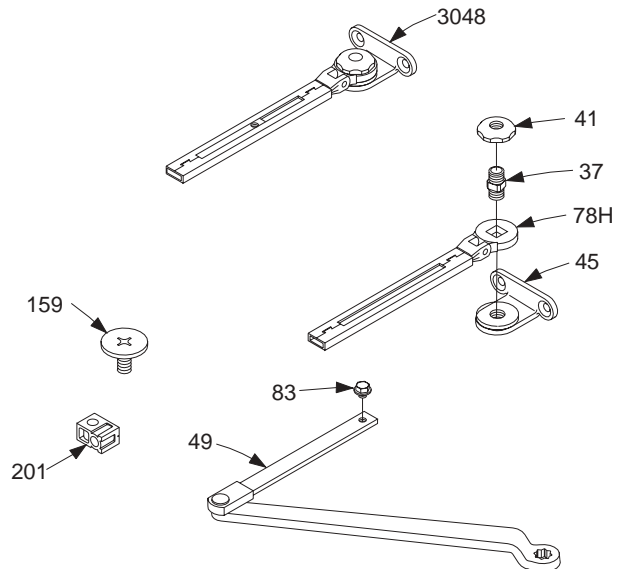
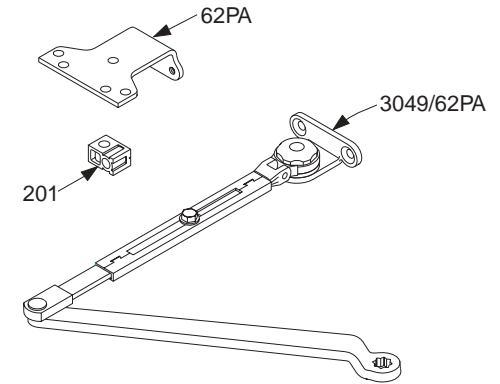
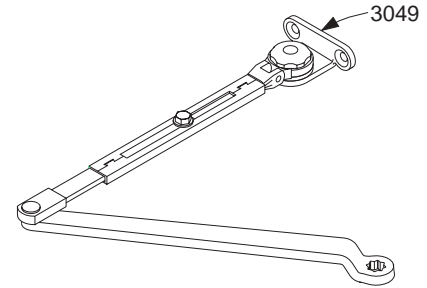
Complete Arm Assemblies

1070-3049	Hold-Open Arm	F
	<i>Includes 1070-37, -41, -45, -49, -78H, -83, & -159</i>	
1070-3049/PA	Hold-Open Arm w/PA	F
	<i>Includes 1070-37, -41, -45, -49, -62PA, -78H, -83, 159, & -201</i>	

Individual Arm Parts

Individual arm parts for 1070-3049 & -3049/PA

1070-37	Hold-Open Stud	F
1070-41	Hold-Open Nut	F
1070-45	HO Shoe	F
1070-49	HO Main Arm & Rod	F
	<i>Includes 1070-83 & -159</i>	
1070-62PA	Parallel Arm Shoe	F
	<i>Includes 1070-201</i>	
1070-78H	H Head & Tube	F
1070-83	Arm Screw	F
1070-159	Arm Screw	F
1070-201	Fifth Screw Spacer	F
1070-3048	HO Head & Tube Assembly	F
	<i>Includes 1070-37, -41, -45, & -78H</i>	
	<i>Length is 6 3/4" (171mm)</i>	



Please specify finish (F), size (S), hand (H), & voltage (V) where indicated. See the latest edition of the LCN Catalog for part descriptions and specifications on many of the items shown above. List prices for items shown above can be located in the current LCN Price List.

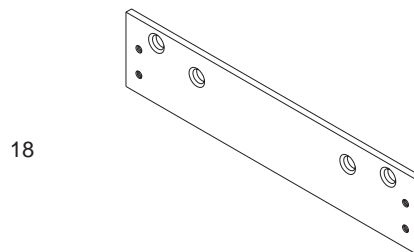
LCN 1070 SERIES "Thriftee"

Mounting Plates

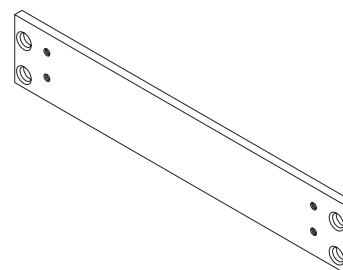
1070-18	Mounting Plate	F
1070-18C	Mounting Plate	F
	<i>Used to install a 1070 Series Closer to an obsolete 1040 or 1050 Series Closer hole pattern</i>	
1070-18PA	Mounting Plate	F

Installation Accessories

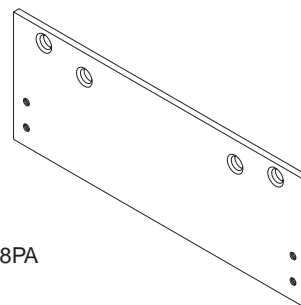
1070-61	Blade Stop Spacer	F
1070-65	Soffit Shoe	F
1070-418	PA Shoe Adapter	F



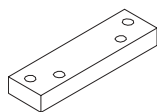
18



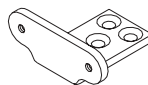
18C



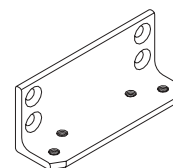
18PA



61



65



418

Please specify finish (F), size (S), hand (H), & voltage (V) where indicated. See the latest edition of the LCN Catalog for part descriptions and specifications on many of the items shown above. List prices for items shown above can be located in the current LCN Price List.