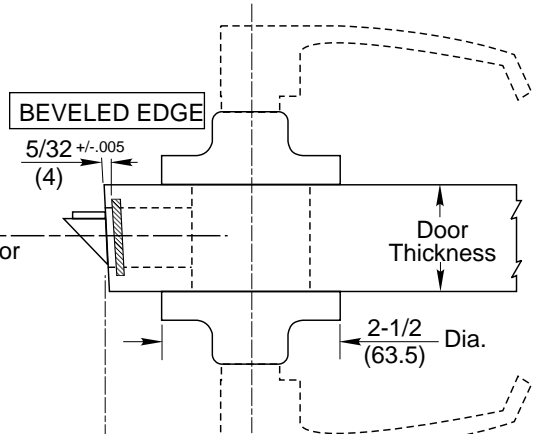
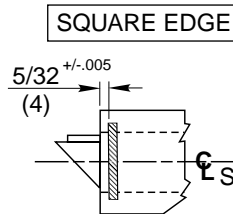


Notes:

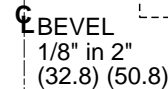
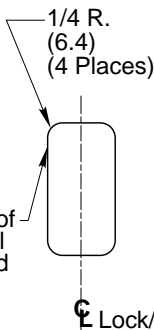
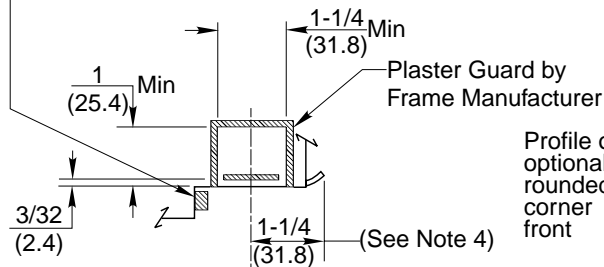
1. Backset is measured from centerline of bevel which is centerpoint of door thickness.
2. Door prep with 2-3/4" (69.9) backset meets ANSI standards A115.2 for steel doors and A115.W2 for wood doors.
3. Dimensions given in inches and (mm).
4. 1-1/4" strike lip suits frame for 1-3/4" thick door. Lip will vary for other door thickness.

TEMPLATE CROSS REFERENCE	
DESCRIPTION	TEMPLATE
CL3750, CL3850, & CL3870 Dummy Trim	T30634-2
217L13 Optional Strike	T30543-2
SF114, SFR114 Full Lip Strike	T30683

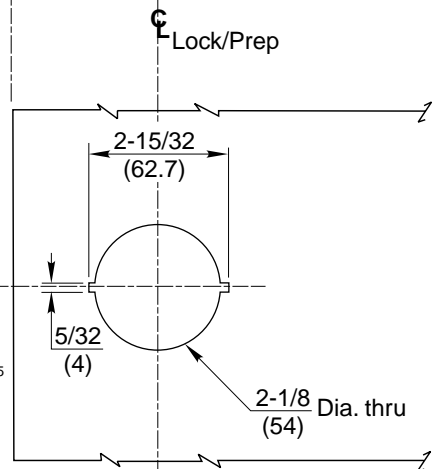
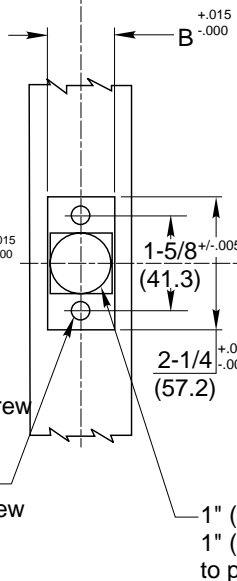
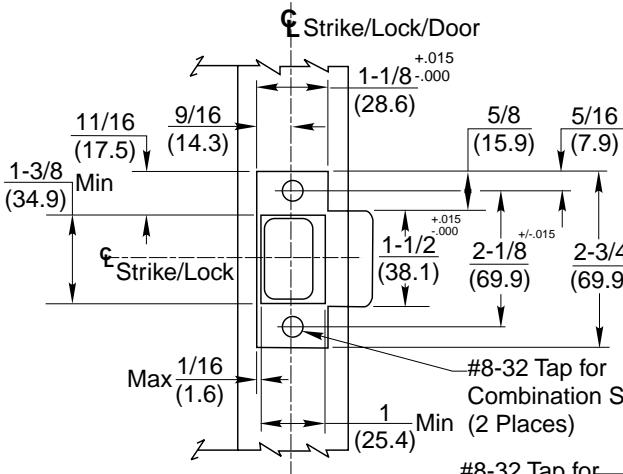
FRONT WIDTH B	
1-1/8 (28.6)	Regular
1" (25.4)	Optional



CAUTION: DOOR AND FRAME MANUFACTURERS
When door gasketing or silencers are used, proper allowances must be made for strike location to maintain a common centerline with lock and door as shown so that bolt will freely enter strike.



BACKSET	
2-3/4 (69.9)	Regular
2-3/8 (60.3)	Optional



FRAME DETAIL

FRAME DETAIL
Curved Lip "T" Strike 687F60 1/4" Lip & Dust Box 687F94 (regularly furnished)

DOOR DETAIL

TOLERANCES	
INCHES	(mm)
.005	(.127)
.015	(.381)

RESPONSIBILITY

Door and Frame Manufacturers are responsible for providing adequate construction or reinforcements for proper installation of hardware shown. All architectural builders hardware must be installed on properly reinforced doors and frames, regardless of the type, material, or method of construction.

**CL3700
Tubular Lever Lockset**

All Functions And Trims
Except Dummy Trim



www.corbinrusswin.com

Do Not Scale Drawing

Supersedes	T30686	Dr.	App.
Date	6-04	Template Number	T30686-1