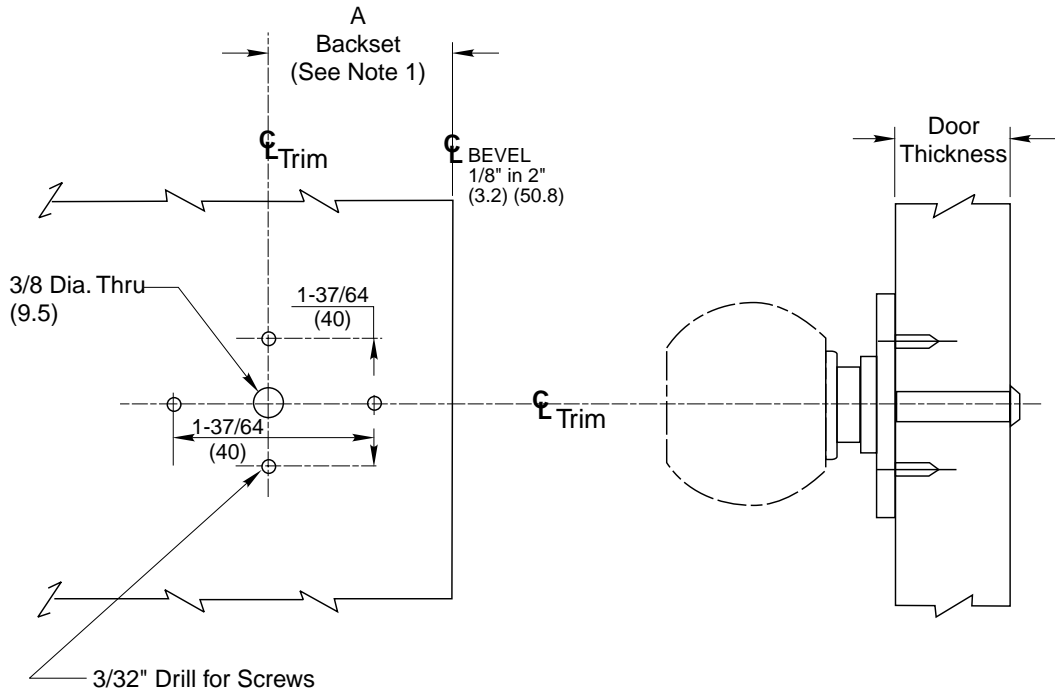


Notes:

1. Backset is measured from centerline of bevel which is centerpoint of door thickness.
2. Dimensions given in inches and (mm).



A Backset	Remarks
$2-3/4$ (69.9)	Regular
$2-3/8$ (60.3)	Optional
$3-3/4$ (95.3)	
5 (127)	

RESPONSIBILITY

Door and Frame Manufacturers are responsible for providing adequate construction or reinforcements for proper installation of hardware shown. All architectural builders hardware must be installed on properly reinforced doors and frames, regardless of the type, material, or method of construction.

CK4700

Half Dummy Trim

**Corbin
Russwin**®

www.corbinrusswin.com

Do Not Scale Drawing

Supersedes

Dr.

App.

Date 2-00

Template
Number

T30688