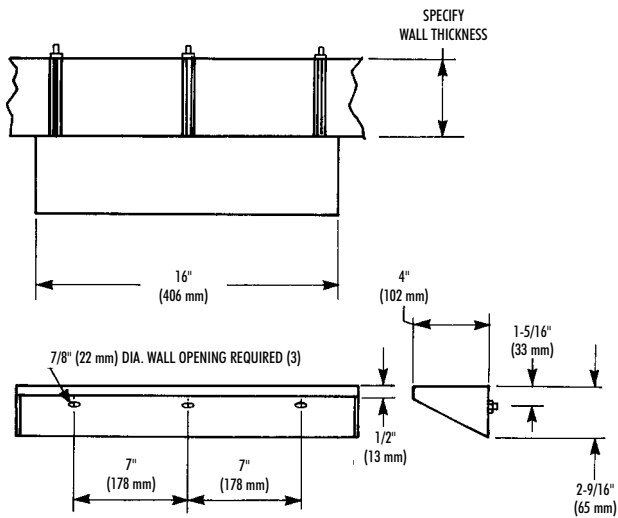


SECURITY SHELF

- Chase Mounted



CONSTRUCTION:

Chase mounted shelf is fabricated of type 304 (18-8), 14 gauge stainless steel in architectural satin finish. All welds are ground smooth, with polished corners and burr-free edges. Back of shelf has welded anchor nuts to receive threaded studs (provided).

Overall dimensions: 16" W x 2-9/16" H x 4" D.

WALL THICKNESS	
Specify Thickness: _____	
WALL TYPE (must check one)	
<input type="checkbox"/> Concrete	<input type="checkbox"/> Block
<input type="checkbox"/> Steel	<input type="checkbox"/> Other _____

Document No. 9270

This information is subject to change without formal notice.
1299RSSCJ



P.O. Box 309, Menomonee Falls, WI 53052-0309
Phone 1-800-BRADLEY FAX 262-253-4161
Web Site: <http://www.bradleycorp.com>
Technical Information Fax Service: 1-800-BRADFAX