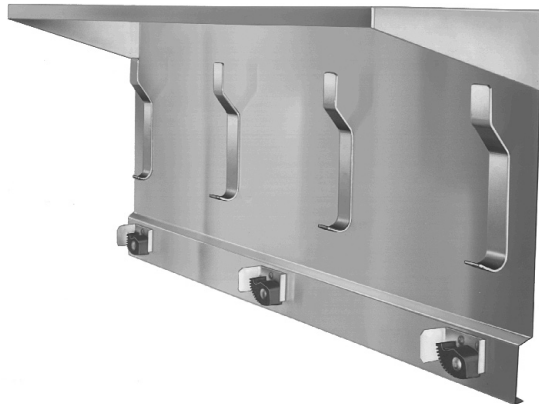


**MODEL 9933
9934**

UTILITY SHELF

- Model 9933 – 4 Hooks/3 Holders **Bradex™**
- Model 9934 – 5 Hooks/4 Holders **Bradex™**



CONSTRUCTION:

- **SHELF AND BRACKET** fabricated of type 304 (18-8), 18 gauge stainless steel with exposed surfaces in architectural satin finish.
- **GUSSETS AND HOOKS** fabricated of type 304 (18-8), 16 gauge stainless steel with exposed surfaces in architectural satin finish.
- **HOLDERS** consist of spring activated rubber cams on plated steel retainers.

OPERATION:

Weight of mop or broom holds handle in place.

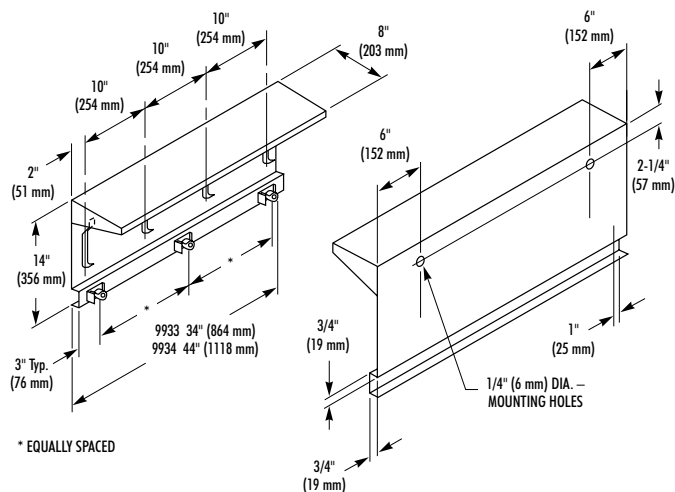
INSTALLATION:

Secure to wall with mounting screws (included) at holes provided.

GUIDE SPECIFICATION:

Surface mounted utility shelf shall be fabricated of type 304 (18-8), 18 gauge stainless steel in satin finish. Hooks shall be of 16 gauge stainless steel. Holders shall be with spring activated rubber cams.

Surface Mounted Utility Shelf shall be Bradley Model 9933 (9934).



Document No. 9145

This information is subject to change without formal notice.
1299RSSCJ

Orders composed of products indicated as **Bradex™** will be available to ship in one week after receipt of order at the factory. There is no pricing penalty for this service from Bradley.



P.O. Box 309, Menomonee Falls, WI 53052-0309
Phone 1-800-BRADLEY FAX 262-253-4161
Web Site: <http://www.bradleycorp.com>
Technical Information Fax Service: 1-800-BRADFAX