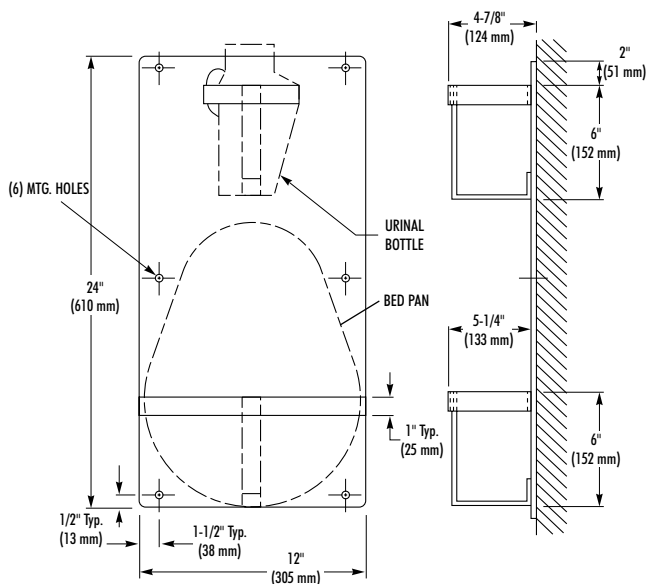


# BED PAN/URINAL HOLDER

- Surface Mounted



## CONSTRUCTION:

- **BACK** fabricated of type 304 (18-8), 18 gauge stainless steel with exposed surfaces in architectural satin finish. Welded construction with burr-free edges.
- **BRACKETS** fabricated of type 304 (18-8), 16 gauge stainless steel with exposed surfaces in architectural satin finish. Welded construction with burr-free edges.

## OPERATION:

Unit holds (1) conventional size bed pan and (1) urinal bottle. Accessories not included.

## INSTALLATION:

Secure to wall with mounting screws (included) at holes provided.

## GUIDE SPECIFICATION:

Surface mounted Bed Pan/Urinal Storage Holder shall be fabricated of type 304 (18-8), heavy gauge stainless steel with exposed surfaces in satin finish.

Overall dimensions: 12"W x 24"H. Projects 5-1/4" from finished wall.

**Surface Mounted Bed Pan/Urinal Storage Holder shall be Bradley Model 9905.**